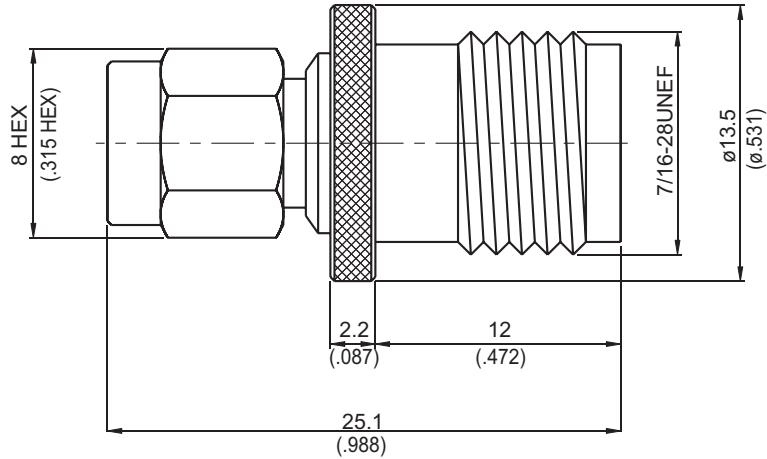


AD-A3T8

SMA Plug To TNC Jack

50Ω



Typical VSWR

Part Number	1 Ghz	2 Ghz	3 Ghz	4 Ghz	5 Ghz	6 Ghz
AD-A3T8	1.07	1.07	1.14	1.29	1.34	1.34

Parts	Material	Plating (Micro-inch)
Renber Ring	Phosphor Bronze	Tin-Zinc-Copper-Alloy 100 Over Copper 50
Gasket	Silicone	
Body(TNC)	Brass	Tin-Zinc-Copper-Alloy 100 Over Copper 50
Center Pin	Phosphor Bronze	Gold 10 Over Nickel 50 Over Copper 50
Insulator	Teflon	
Body(SMA)	Brass	Gold 5 Over Nickel 50 Over Copper 50
Coupling	Brass	Gold 5 Over Nickel 50 Over Copper 50

Weight: 8.28 g

Notice: JYEBAO reserves the right to make modifications deemed appropriate.