



RADIAL[®]
MULTICONTACT CONNECTORS

TECHNICAL DATA SHEET

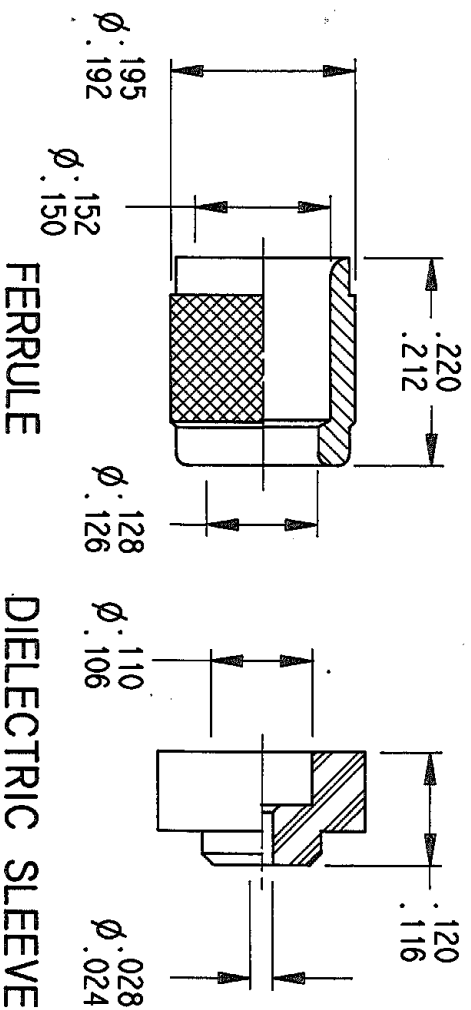
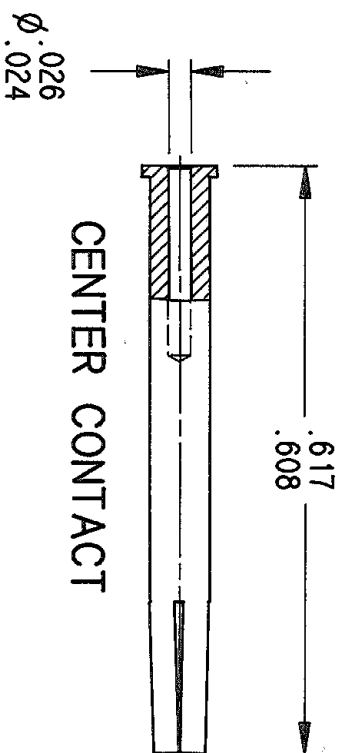
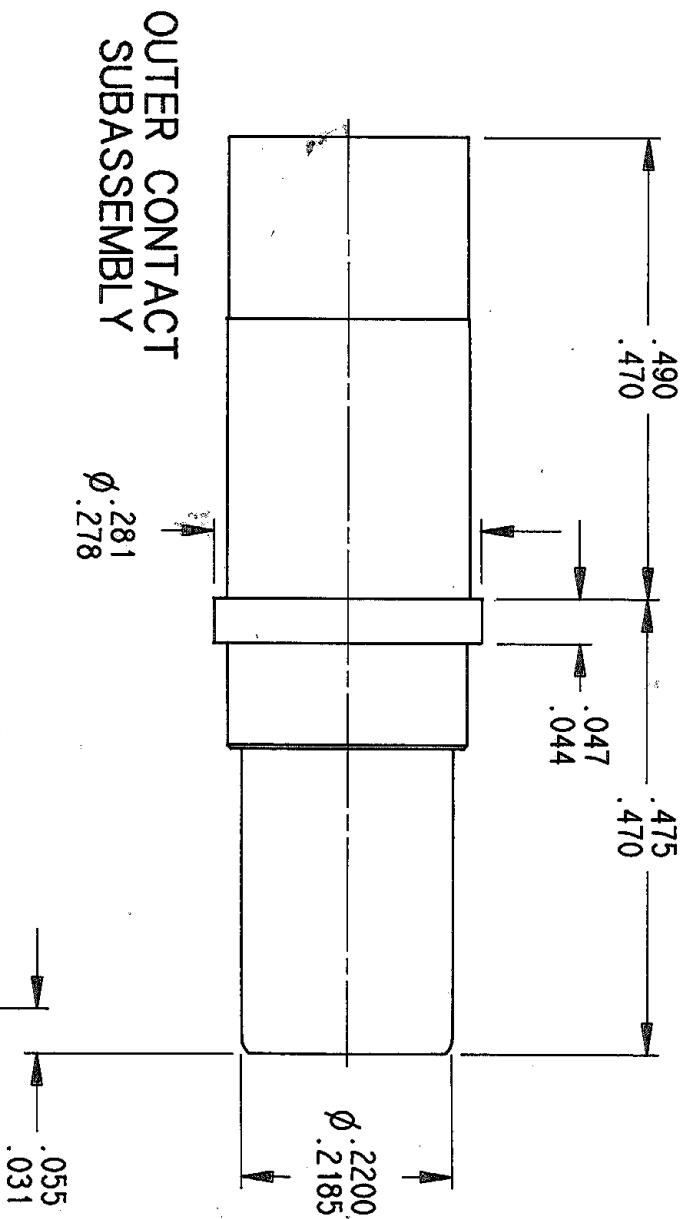
617 105

Series
EPX

SIZE 5 COAXIAL CRIMP PIN CONTACT
FOR RG180 CABLE

Issue:
19 DEC. 94

Page
1 / 1



MATERIAL AND FINISH:
 OUTER CONTACT AND CENTER CONTACT: BERYLLIUM COPPER_GOLD OVER NICKEL PLATED
 CRIMP BARREL AND CRIMP SLEEVE: COPPER ALLOY_GOLD OVER NICKEL PLATED
 DIELECTRIC: PTFE

WIRING INSTRUCTIONS: SEE RP08871

INSERTION/EXTRACTION TOOL: M81969/28-01

CREATION

PEN:

NOM: L FALETTI

DATE: 5 NOV. 91

APPR.: JP MACARI

Issue	Redrawn By CAD	Revisions	Name	Approved
19.12.94	REDRAWN BY CAD		JP MACARI	<i>C. Macari</i>

4112_9311

This information is given as an indication. In the continual goal to improve our products, we reserve the right to make any modifications judged necessary.

617105A