

# Leadless Power Inductors P•F-M Series

## Features

This is a magnetically shielded surface-mount type inductor in which a ferrite drum core with winding is connected with surface mount type external electrodes and combined with a ring core.

## Applications

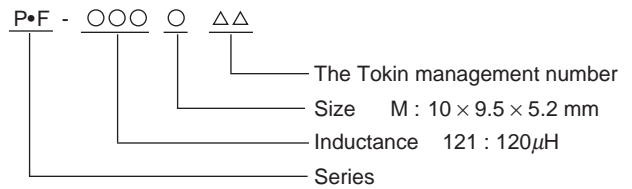
- D/D converters
- Transform chopper inductors

## Specifications

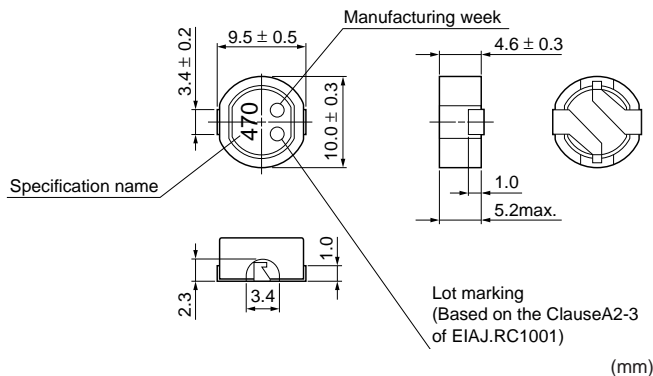
Model	Inductance ( $\mu\text{H}$ )	DC resistance ( $\Omega$ ) max.	Rated current (A)
PF-100M	10 $\pm$ 20%	0.07	2.50
PF-120M	12 $\pm$ 20%	0.07	2.40
PF-150M	15 $\pm$ 20%	0.09	2.20
PF-180M	18 $\pm$ 20%	0.09	2.10
PF-220M	22 $\pm$ 20%	0.10	2.00
PF-330M	33 $\pm$ 15%	0.16	1.70
PF-470M	47 $\pm$ 15%	0.20	1.40
PF-560M	56 $\pm$ 15%	0.25	1.25
PF-680M	68 $\pm$ 15%	0.30	1.15
PF-820M	82 $\pm$ 15%	0.35	1.05
PF-101M	100 $\pm$ 10%	0.40	0.95
PF-121M	120 $\pm$ 10%	0.60	0.75
PF-151M	150 $\pm$ 10%	0.70	0.70
PF-181M	180 $\pm$ 10%	0.75	0.65
PF-221M	220 $\pm$ 10%	1.00	0.60



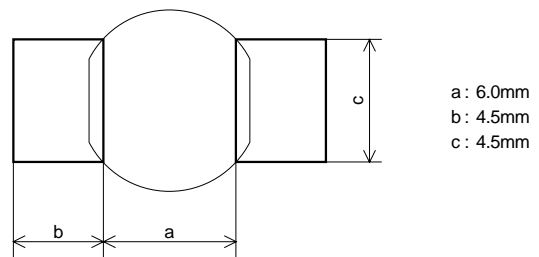
## Markings



## Shapes and Dimensions



## Recommended Pattern



## Note

- Operating temperature range: -40 ~ +85°C
- Storage temperature range: -40 ~ +105°C
- Tape and Reel Dimensions: Please order by referring to page 30, 31 and 32.
- Cautions for use: Refer to pages 33.

Typical example of DC-superposed Characteristics

