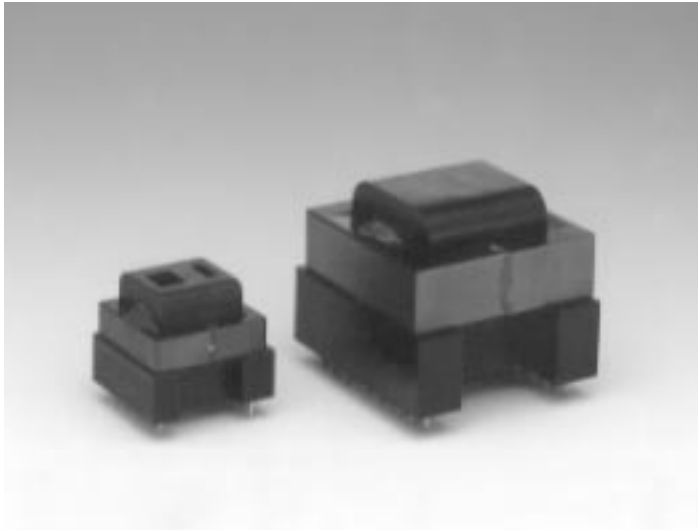


Switching Transformer for Resonant



◆Features

- Divided bobbin into primary bobbin and secondary bobbin
- High efficiency
- Low noise

◆Applications

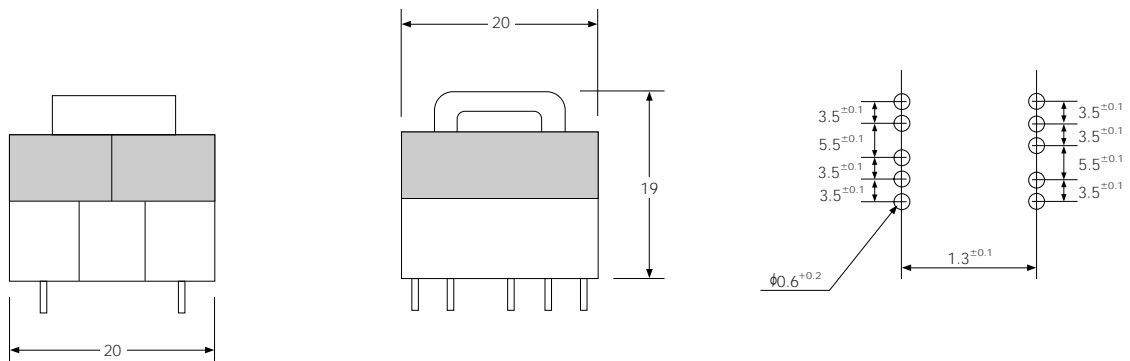
TV, OA, SMPS

◆Performance

Size \ Item	Output (W) F=100KMZ	PINS
DBSS20S5	30	5×5
DBSS25S6	50	5×6
DBSS27S4	60	4×4
DBSS28S6	80	5×6
DBSS28S6A	80	5×6
DBSS28S4	60	4×4
DBSS30S4	80	5×4
DBSS33S4	100	4×4
DBSS33S6	120	5×6
DBSS40S9	180	8×9
DBSS42S9	220	8×9

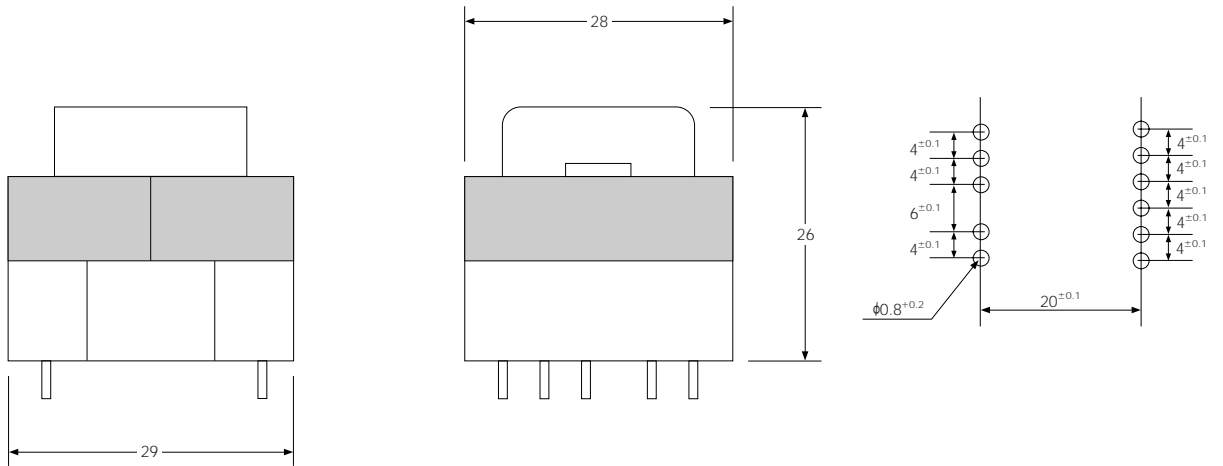
◆Dimensions In mm (not to scale)

DBSS20S5

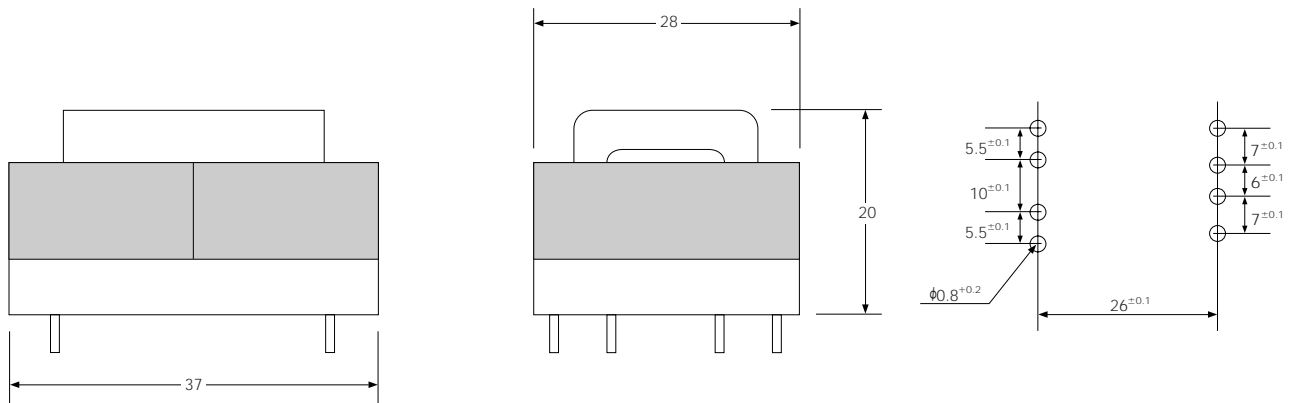


◆ Dimensions In mm (not to scale)

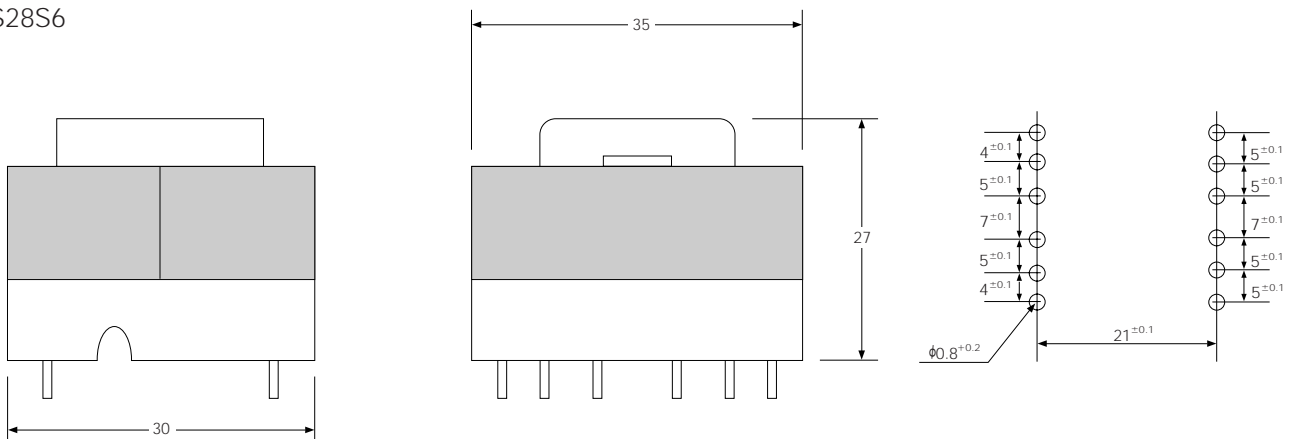
DBSS25S6



DBSF27S4



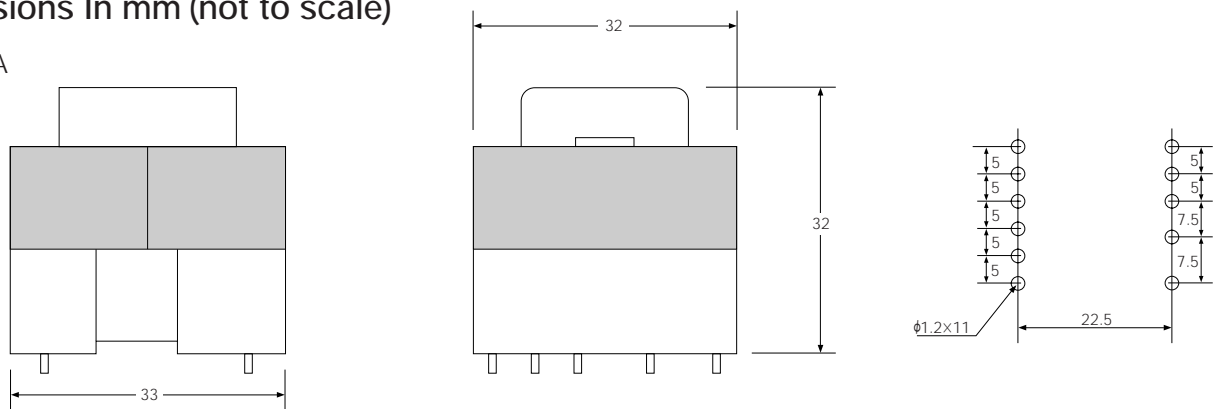
DBSS28S6



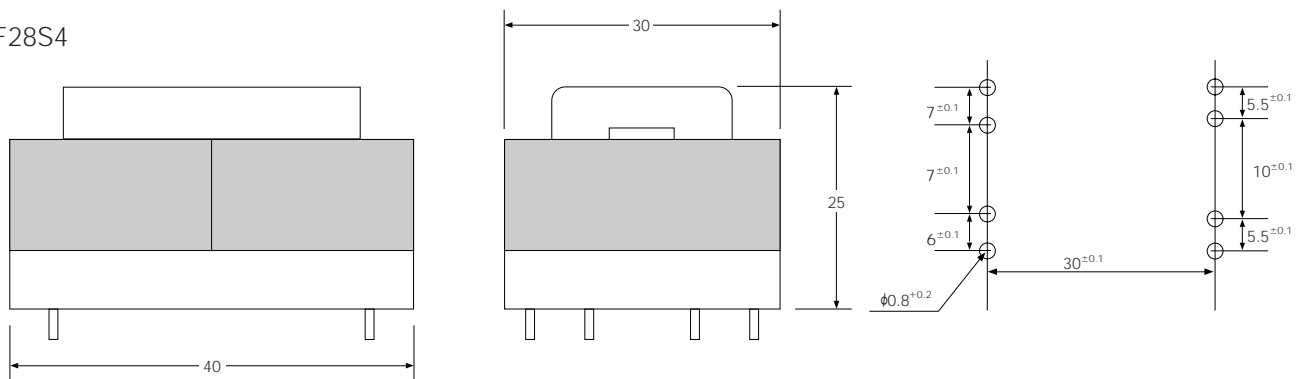
Switching Transformer for Resonant

◆ Dimensions In mm (not to scale)

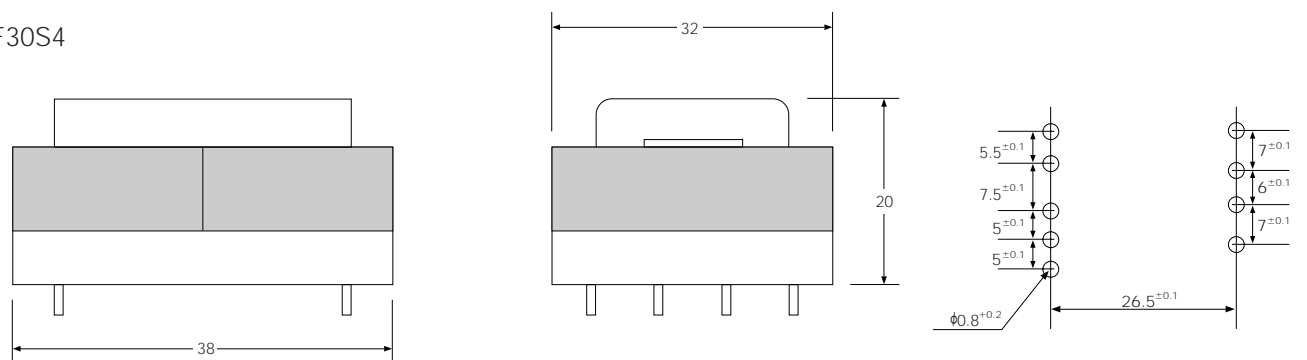
DBSS28S6A



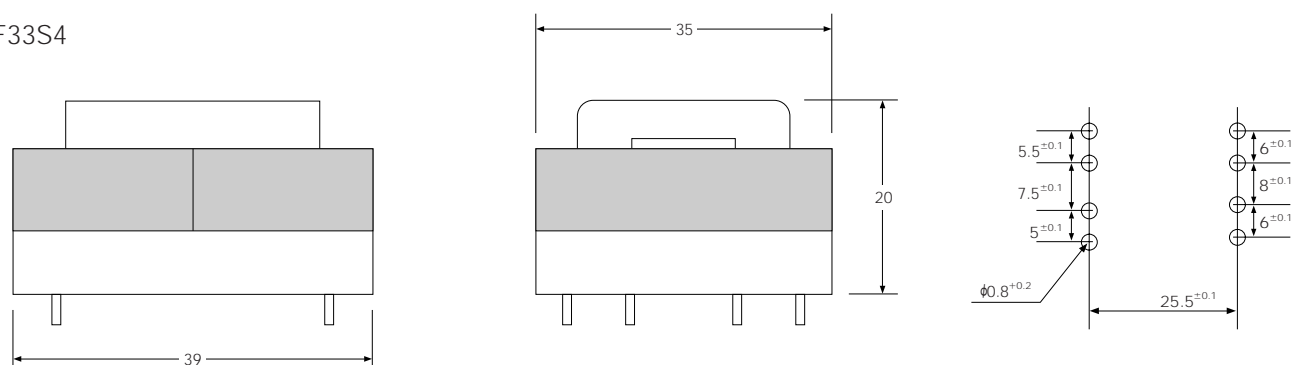
DBSF28S4



DBSF30S4

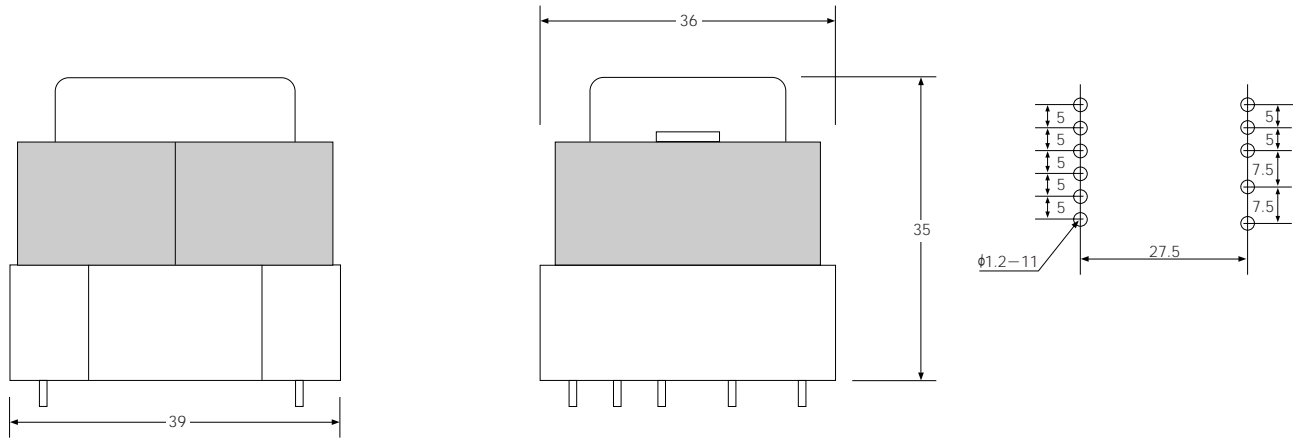


DBSF33S4

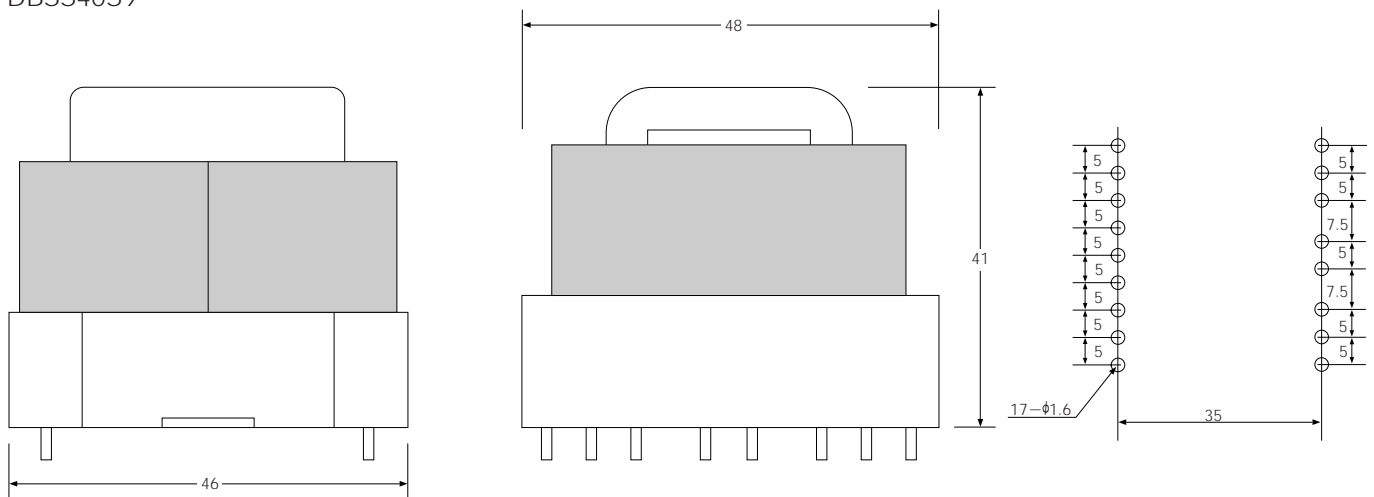


◆ Dimensions In mm (not to scale)

DBSS33S6



DBSS40S9



DBSS42S9

