

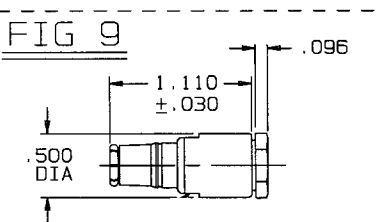
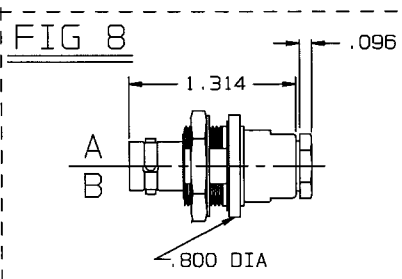
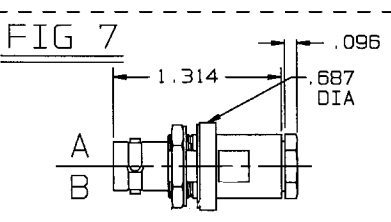
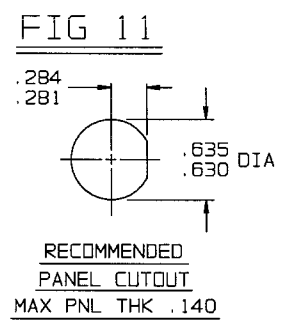
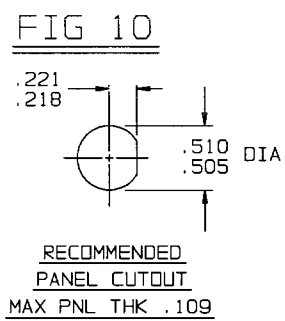
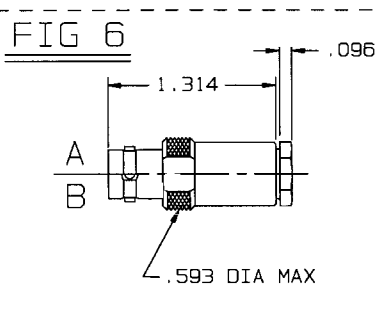
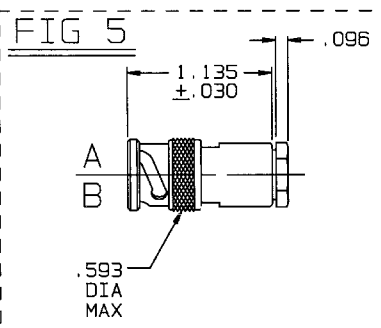
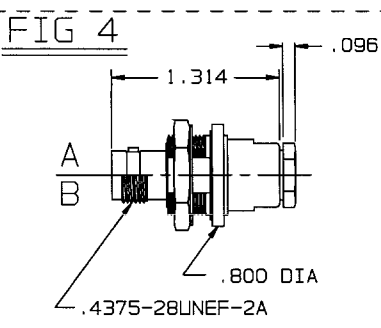
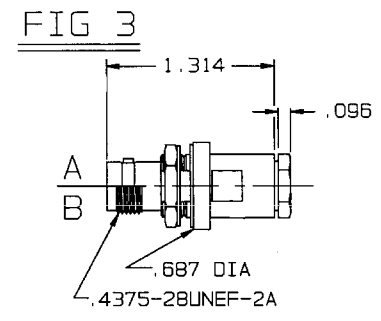
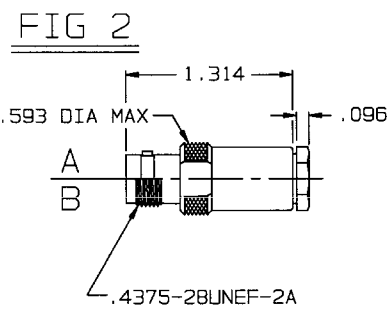
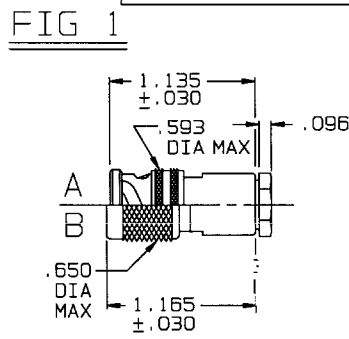
DATA CONTAINED IN THIS DOCUMENT IS PROPRIETARY TO TROMPETER ELECTRONICS INC. AND SHALL NOT BE DISCLOSED, COPIED OR USED FOR PROCUREMENT OR MANUFACTURE WITHOUT EXPRESS WRITTEN PERMISSION.

REVISIONS

REV	ED	DESCRIPTION	DWN	APPROVED	DATE
A	13310	CHANGED NOTE 4; SEE ECO	DKC	<i>DKC</i>	3/22/02

305-0784 SH 1C

DASH NO	CONNECTOR TYPE	MATERIAL <sup>4</sup>	ASSEMBLE PER	FIG	MTG HOLE FIG
-1	PL75	310-0002-29	TAI-102	1A	—
-2	CJ70	3-0043-29		2A	—
-3	BJ79	3-0018-29		3A	10
-4	BJ74	3-0055-29		4A	11
-5	PL375	315-0011-29		1B	—
-6	CJ370	3-0066-29		2B	—
-7	BJ379	3-0074-29		3B	10
-8	BJ374	3-0073-29		4B	11
-9	PL74	310-0025-29		5A	—
-10	CJ70TL	3-0217-29		6A	—
-11	BJ79TL	3-0112-29		7A	10
-12	BJ74TL	3-0105-29		8A	11
-13	PL75FL	310-0006-29		5B	—
-14	CJ70FL	3-0101-29		6B	—
-15	BJ79FL	3-0052-29		7B	10
-16	BJ74FL	3-0099-29		8B	11
-17	PL73	310-0038-29		9	—



- <sup>4</sup> REPLACE 8-1580-29 CLAMP NUT WITH 8-1580-4 CLAMP NUT AND CONE 8-1590-29 WITH CONE 8-1590-23
3. CONCENTRIC TWINAX/TRIAX, 2-LUG, 3-LUG, 4-LUG AND THREADED CABLE PLUGS/RECEPTACLES, INSULATED & NONINSULATED BULKHEAD MOUNT RECEPTACLES & PUSH-ON CABLE PLUG FOR NORTHRUP CABLE 05A078-1, RAYCHEM CABLE 7724C1664-9, BRAND-REX CABLE T10970
2. FINISH TFS-1A (NICKEL)
1. ALL DIM ARE IN INCHES

QTY	DESCRIPTION	PART NUMBER	ITEM
TOL UNLESS SPECIFIED		TROMPETER ELECTRONICS, INC.	
.XX ±	.005	"70" SERIES-05A078-1, T10970, 7724C1664-9	
.XXX ±			
.XXXX ±			
ANGLES ±			
DWN	DKC	3-10-00	
CHK	<i>DKC</i>	<i>3/22/02</i>	
ENGR			
APPR	<i>DKC</i>	<i>3/22/02</i>	
MATERIAL		CODE IDENT	DRAWING NO.
		14949	305-0784
SCALE		DATE	SHEET
NEXT ASSY		4-4-91	1C