

THIS DRAWING IS UNPUBLISHED.

RELEASED FOR PUBLICATION

© COPYRIGHT BY TYCO ELECTRONICS CORPORATION. ALL RIGHTS RESERVED.

LOC J

DIST -

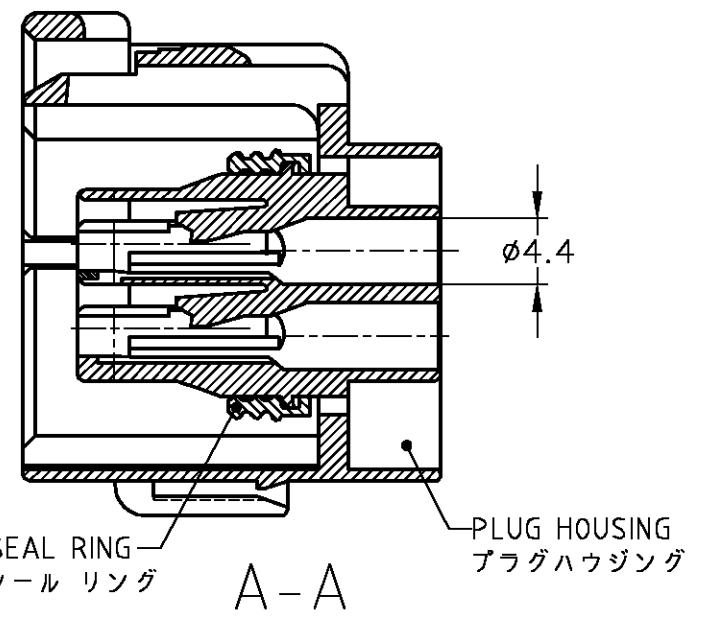
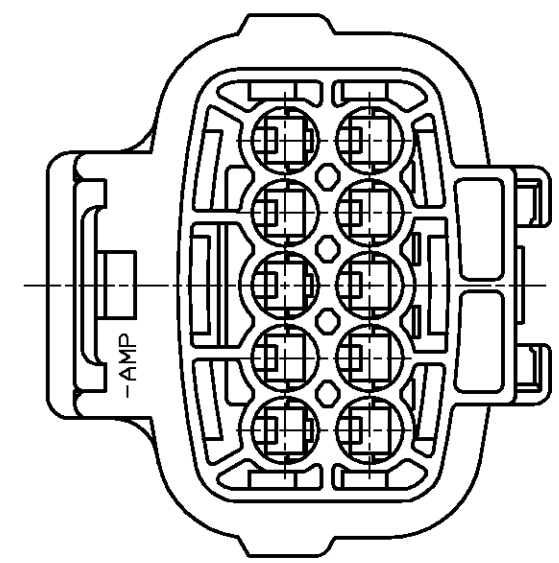
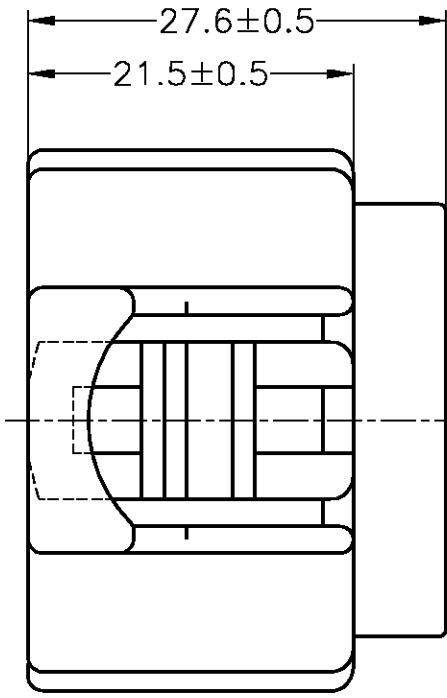
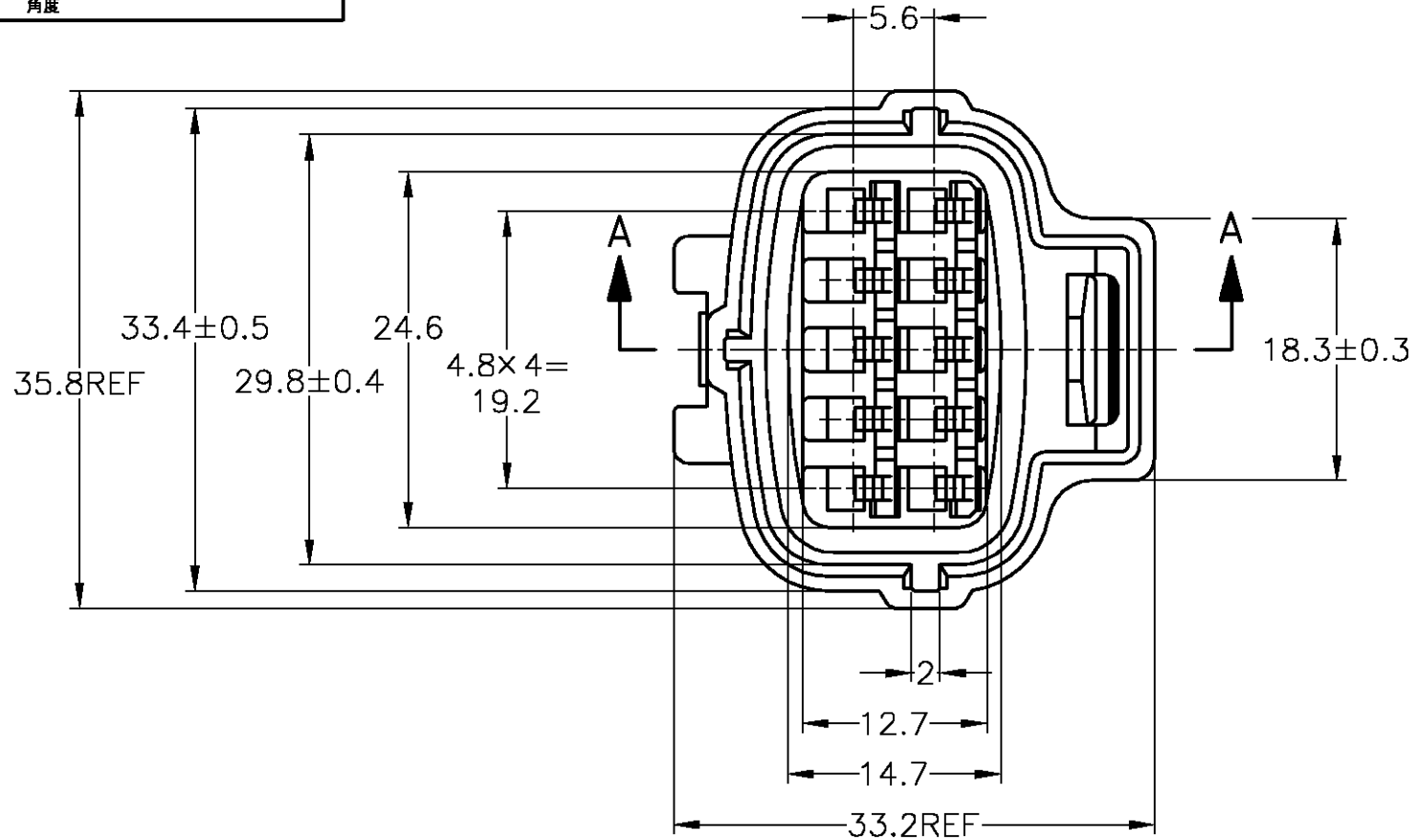
REVISIONS
変更

P	LTR	DESCRIPTION	DATE	DWN	APVD
C1		REDRAWN W/CHANGE	FJA0-0052-04	09FEB04	TS KB

TOLERANCE UNLESS OTHERWISE SPECIFIED:
一般公差

0 < x ≤ 10 : ±0.2
10 < x ≤ 30 : ±0.25
30 < x ≤ 100 : ±0.3

ANGLE : ±3°
角度



- 1. 嵌合相手型番 : 174657
 - 2. 本品はプラグハウジング単体にシールリングがアッセンブリされたものである。
 - 3. 本品はダブルロックプレート型番 174656を装着して使用する。
- 1. FOR CAP HOUSING PN 174657
 - 2. THIS PART IS COMPOSED OF PLUG HOUSING AND SEAL RING
 - 3. THIS PART MUST BE USED WITH DOUBLE LOCK PLATE PN 174656

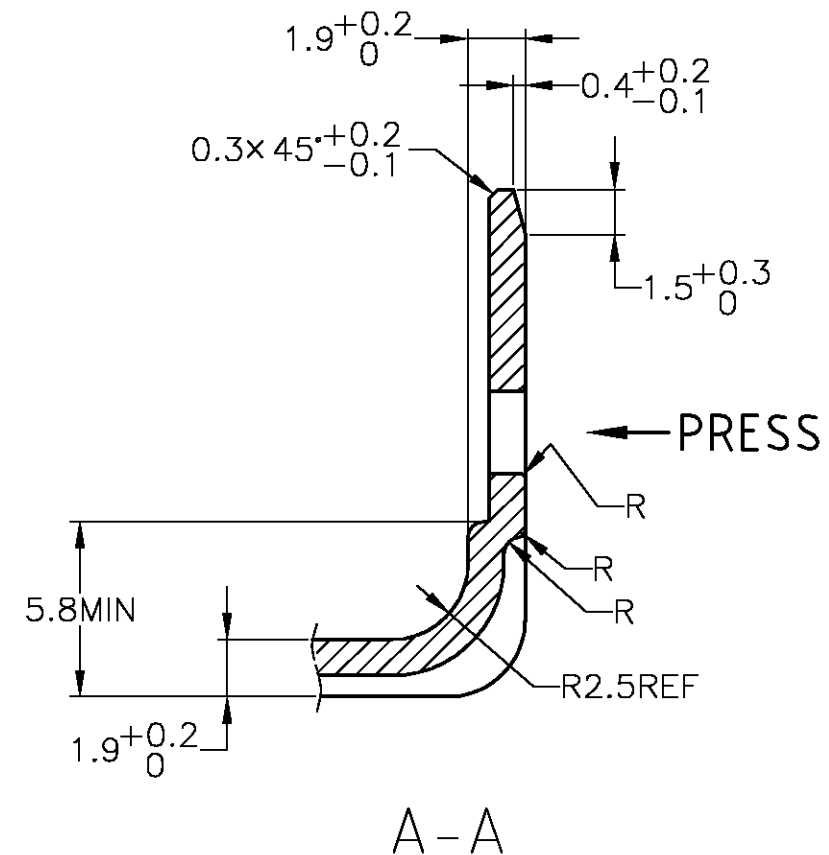
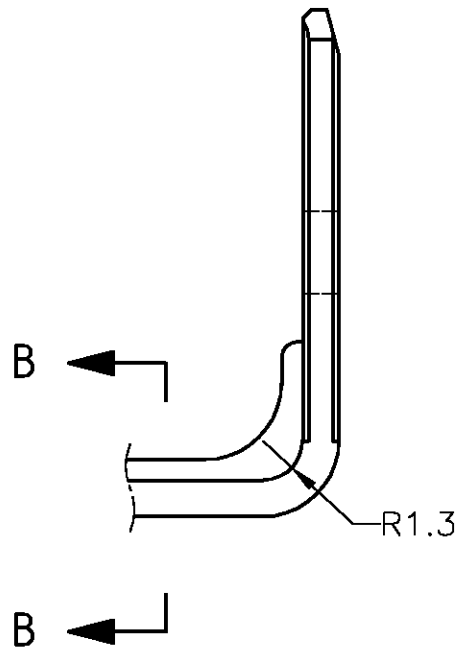
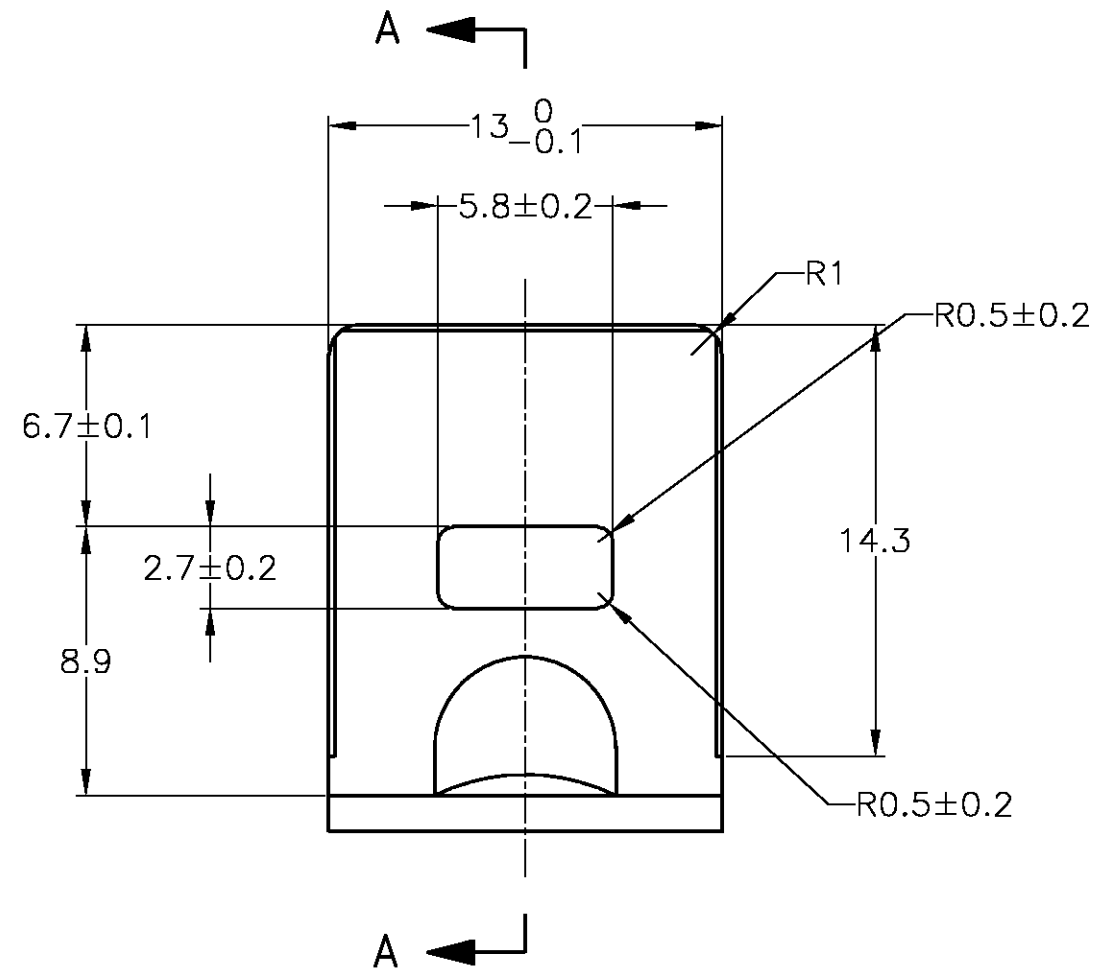
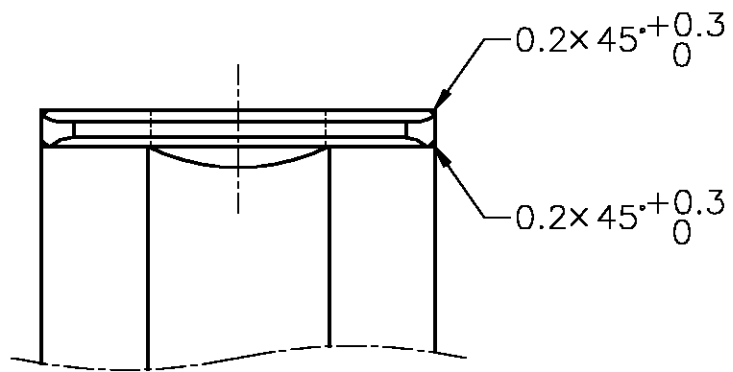
黒 BLACK	174655-2
色 COLOR	型番 PN

THIS DRAWING IS A CONTROLLED DOCUMENT.		DWN T.SHINOHARA 09FEB04	Tyco Electronics AMP K.K. Kawasaki, Japan	
DIMENSIONS: 単位: 概 MM		CHK K.BETSUI 09FEB04		
TOLERANCES UNLESS OTHERWISE SPECIFIED: 一般公差		APVD K.BETSUI 09FEB04	NAME 名称 10Pos. ECONOSEAL J-MARKII+ CONNECTOR PLUG HOUSING	
0 PLC ± -		PRODUCT SPEC 製品規格 108-5262	SIZE A3	
1 PLC ± -		APPLICATION SPEC 取付適用規格 114-5082	CAGE CODE 00779	DRAWING NO 番号 C-174655
2 PLC ± -		MATERIAL 材料 PBT	WEIGHT 12.2g	RESTRICTED TO -
3 PLC ± -		FINISH 仕上	SCALE 尺度 2:1	
4 PLC ± -			SHEET 1 OF 2	
ANGLES ± -		CUSTOMER DRAWING		REV C1

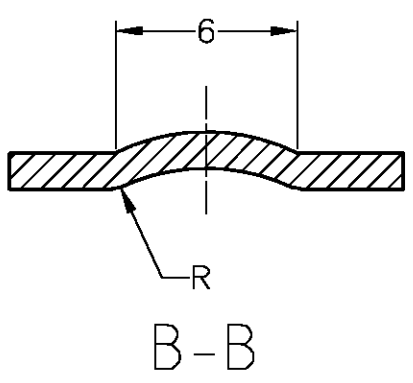
THIS DRAWING IS UNPUBLISHED. RELEASED FOR PUBLICATION
 © COPYRIGHT BY TYCO ELECTRONICS CORPORATION. ALL RIGHTS RESERVED.

LOC	DIST	REVISIONS					
		P	LTR	DESCRIPTION	DATE	DWN	APVD
J	-	-	-	SEE 1 OF 2	-	-	-

ブラケット推奨寸法図
 RECOMMENDED DIMENSION OF BRACKET



t = 1.2 ± 0.08



TOLERANCE UNLESS OTHERWISE SPECIFIED: 一般公差

0 < x ≤ 10	: ±0.2
10 < x ≤ 30	: ±0.25
30 < x ≤ 100	: ±0.3
ANGLE ; 角度	: ±3°

THIS DRAWING IS A CONTROLLED DOCUMENT.

DWN	T.SHINOHARA	09FEB04	tyco Electronics	Tyco Electronics AMP K.K. Kawasaki, Japan	
CHK	K.BETSUI	09FEB04			
APVD	K.BETSUI	09FEB04	NAME	10Pos. ECONOSEAL J-MARKII+ CONNECTOR PLUG HOUSING	
PRODUCT SPEC	製品規格		SIZE	A3	
APPLICATION SPEC	取付適用規格		CAGE CODE	00779	
WEIGHT			DRAWING NO	C-174655	
MATERIAL	材料		RESTRICTED TO	-	
FINISH	仕上		SCALE	4:1	
			SHEET	2	OF 2
			REV	C1	

CUSTOMER DRAWING

Mouser Electronics

Authorized Distributor

Click to View Pricing, Inventory, Delivery & Lifecycle Information:

[TE Connectivity:](#)

[174655-2](#)