

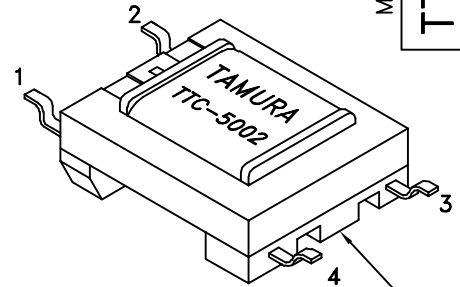
REV. Status
 REVISION -
 01/21/00 TS

TELECOMMUNICATION DRY COUPLING SURFACE MOUNT TRANSFORMER



MODEL NUMBER
TTC-5002

- A. Electrical specifications (@ 25° C)
1. Pri source impedance; 600Ω
 2. Sec load impedance; 290Ω
 3. MAX output power; 3.6dBm (2.3mW)
 4. Frequency response; ±0.1dB, 300Hz to 3.5KHz
 5. DC unbalance; 0mA MAX
 6. Return loss; 30dB MIN @ 300Hz to 3.5KHz
 7. Insertion loss; 3.3dB ±0.25dB @ 1KHz
 8. Longitudinal balance; 60dB MIN @ 200Hz to 4KHz
 9. DC resistance; (1-2)= 150Ω ±15% (3-4)= 170Ω ±15%
 10. Turns ratio; (1-2) : (3-4) = 1 : 1.00 ±2%
 11. Dielectric strength; 1500Vrms 1 minute @ Pri to Sec, Pri to Core 500Vrms 1 minute @ Sec to Core
 12. Total harmonic distortion; -88dB TYP @ 600Hz, -10dBm (-85dB MAX)

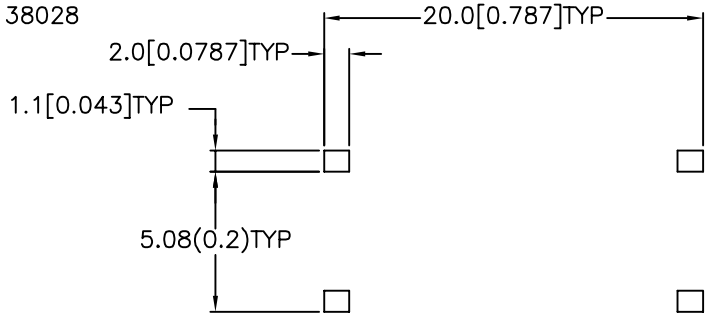
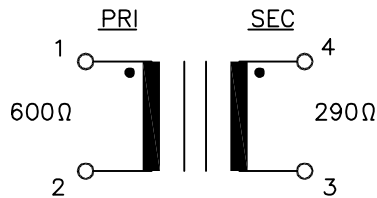


Date code and country of origin farside

B. Marking; TTC-5002, TAMURA, date code and country of origin

C. Safety; CSA-C22.2 No. 950-M89 File No. 138028
 UL1459, UL1950 File No. 138028

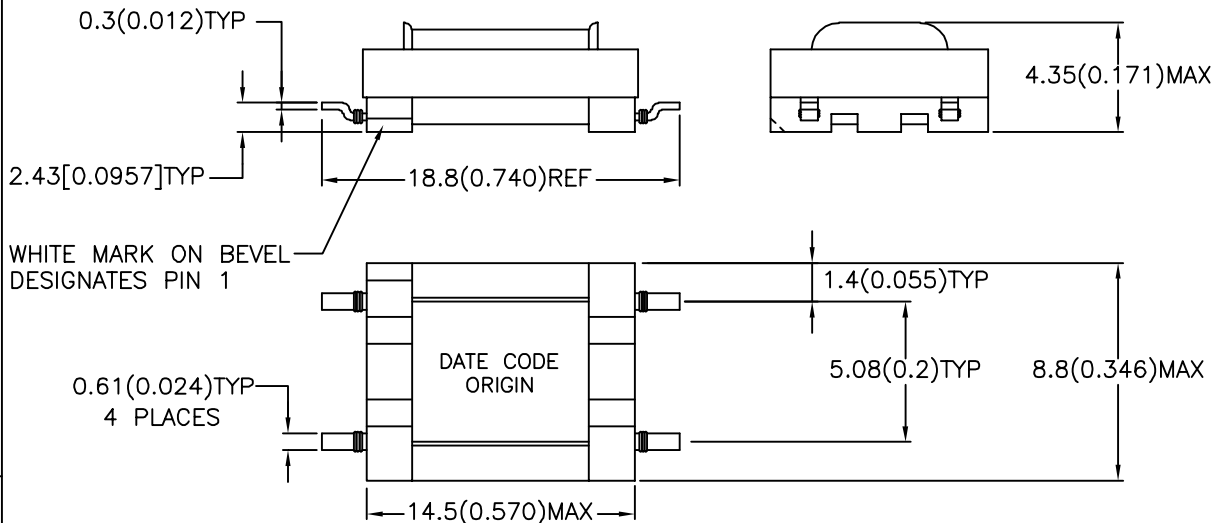
D. Schematic diagram



MOUNTING FOOTPRINT
 (CIRCUIT BOARD CUTOUT REQUIRED)

E. Mechanical Specifications

All dimensions shown are nominal unless otherwise specified



PREPARED BY:

D. Rund

ENGINEER:

T. Shiozawa

QUALITY CONTROL:

D. Kelley

APPROVED:

J. Coleman

DRAWING CONTROL NO.
 P-A1-12323
 ACAD\TTC\A1123231.DWG

REV
 -

MODEL DESCRIPTION
 TELECOMMUNICATION SURFACE MOUNT
 DRY COUPLING TRANSFORMER

TAMURA CORPORATION OF AMERICA
 43352 BUSINESS PARK DRIVE, TEMECULA, CA. 92590-6624
 (909) 699-1270 FAX 9096769482

MODEL SPECIFICATION

TTC-5002

DIM: mm(In) SCL: 4/1 SH: 1 OF 1

PROPRIETARY NOTICE: THIS DRAWING PRINT OR DOCUMENT AND SUBJECT MATTER DISCLOSED HEREIN ARE PROPRIETARY ITEMS TO WHICH TAMURA RETAINS THE EXCLUSIVE RIGHT OF DISSEMINATION, REPRODUCTION, MANUFACTURE AND SALE. THIS DRAWING, PRINT OR DOCUMENT IS SUBMITTED IN CONFIDENCE FOR CONSIDERATION BY THE RECIPIENT ALONE UNLESS PERMISSION FOR FURTHER DISCLOSURE IS EXPRESSLY GRANTED IN WRITING.