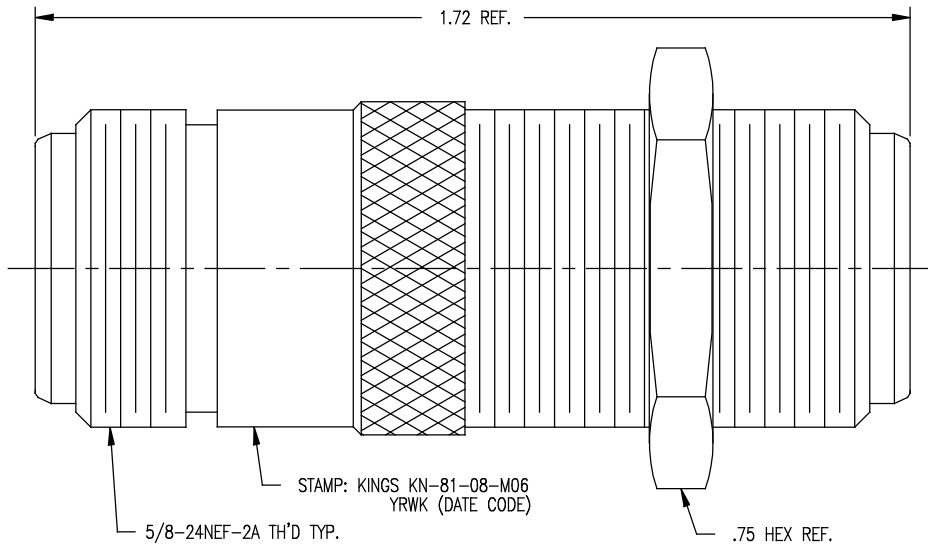


GSD

KN-81-08-M06

REVISIONS

ISSUE	CHANGES
0	ER 33411 JCA 10/30/91
1	CN 37848 C TML 06/08/99



NOTES:

1. INTERFACE PER MIL-STD-348, FIG. 304-2.
2. MATERIALS:
INSULATORS: TEFLON, ASTM-D-1457
CONTACT F: BER. COP., ASTM-B-196
ALL OTHER PARTS: BRASS, ASTM-B16
3. FINISHES:
CONTACTS: SILVER PLATE PER QQ-S-365
ALL OTHER PARTS: KINGS TARNISH RESISTANT FINISH (TR-5)

JCA2173

SCALE 4:1

APPROX SURFACE AREA

USED ON

REF:

ASSY, N, F

DRAWN JCA DATE 10/30/91

DESIGN LJ DATE 10/31/91

APPR. DATE

KINGS

ELECTRONICS CO., INC.
ROCK HILL, SOUTH CAROLINA 29730

GSD

KN-81-08-M06