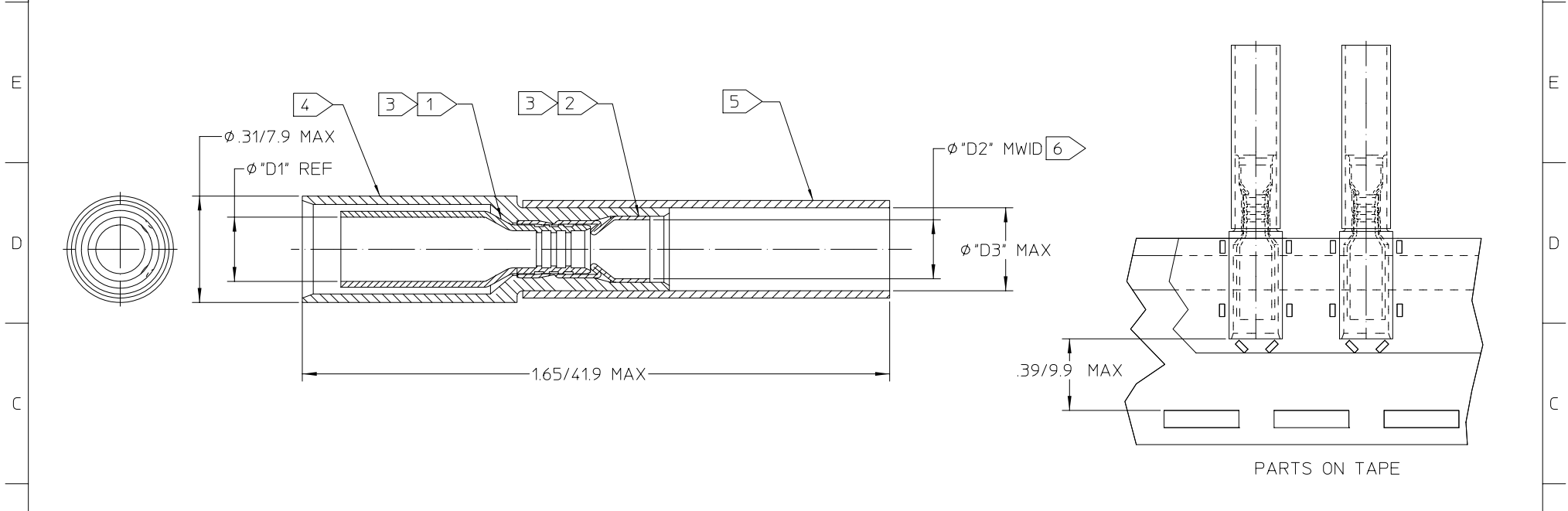


	10	9	8	7	6	5	4	3	2	19040
F	LOOSE PC. MATERIAL NUMBER	LOOSE PC. ENGINEERING NUMBER	ON TAPE MATERIAL NUMBER	ON TAPE ENGINEERING NUMBER	COLOR/AWG	"D1"	"D2"	"D3"		
	190400047	19040-0047	190400107	19040-0107	RED 22-18	.156/3.96	.13/3.3	.205/5.21		
	190400049	19040-0049	190400109	19040-0109	RED 22-18	.180/4.57	.13/3.3	.205/5.21		
	190400051	19040-0051	190400111	19040-0111	BLUE 16-14	.156/3.96	.15/3.8	.225/5.72		
	190400053	19040-0053	190400113	19040-0113	BLUE 16-14	.180/4.57	.15/3.8	.225/5.72		



- NOTES:
1. RECEPTACLE MATERIAL: BRASS, .016/0.41 THK.
  2. FUNNEL FERRULE MATERIAL: BRASS, .010/0.25 THK.
  3. FINISH: ELECTRO TIN PLATE.
  4. HOUSING INSULATION MATERIAL: NYLON
  5. INSULATION MATERIAL: HEAT SHRINKABLE TUBING WITH HOT-MELT ADHESIVE INNER LINER.
  6. MWID = MAXIMUM WIRE INSULATION DIAMETER.

EC NO: ETC2002-0331 DRWN: BRUPERT 2002/05/16 CHKD: 2002/05/16 APPR: RDEROSS 2002/05/16	DESCRIPTION REV	QUALITY SYMBOLS	GENERAL TOLERANCES (UNLESS SPECIFIED)	SCALE NONE	DESIGN UNITS INCH	THIRD ANGLE PROJECTION	REVISE ON CAD ONLY																
		$\nabla = 0$ $\sphericalcap = 0$	<table border="1"> <tr> <td></td> <td>mm</td> <td>INCH</td> </tr> <tr> <td>4 PLACES</td> <td>± ---</td> <td>± ---</td> </tr> <tr> <td>3 PLACES</td> <td>± ---</td> <td>± .010</td> </tr> <tr> <td>2 PLACES</td> <td>± 0.25</td> <td>± .02</td> </tr> <tr> <td>1 PLACE</td> <td>± 0.5</td> <td>± ---</td> </tr> </table>		mm	INCH	4 PLACES	± ---	± ---	3 PLACES	± ---	± .010	2 PLACES	± 0.25	± .02	1 PLACE	± 0.5	± ---	DIMENSION STYLE IN/MM	TITLE	HEAT SHRINK TERMINAL SNAP PLUG RECEPTACLE		
			mm	INCH																			
		4 PLACES	± ---	± ---																			
3 PLACES	± ---	± .010																					
2 PLACES	± 0.25	± .02																					
1 PLACE	± 0.5	± ---																					
	ANGULAR ± 1 °		DRAWN BY B.RUPERT	DATE 04/21/02	MOLEX INCORPORATED																		
	DRAFT WHERE APPLICABLE MUST REMAIN WITHIN DIMENSIONS		CHECKED BY J.PAWLIC	DATE 04/30/02	MATERIAL NO. SEE CHART	DOCUMENT NO. SD-19040-015	SHEET NO. 1 OF 1																