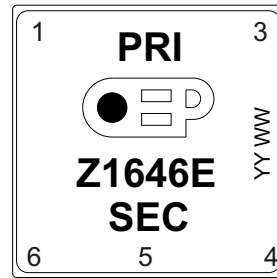




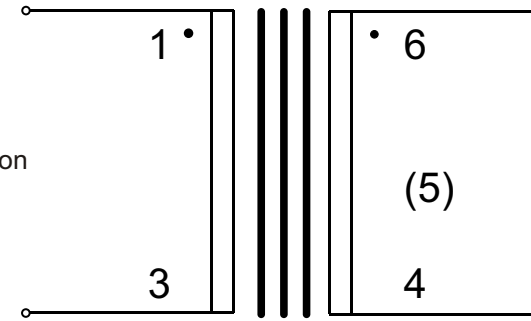
Note: pin numbers are shown here for clarification only. They are not printed on the label.



Top view

YY WW = date code

Pin 5 has no electrical connection and may be cropped



Electrical schematic

● = electrical start

Specification:

Turns ratio: 1:1

Primary DC resistance: 15.7 +/-15%

Total secondary DC resistance: 22 +/-15%

Impedance matching:

100 to 100

Power handling:

60Hz - 25kHz 2mW/100 for <1% THD at 100Hz

Frequency response at 2mW: 100Hz - 25kHz +/- 0.5dB

THD at levels below saturation typically <0.05%

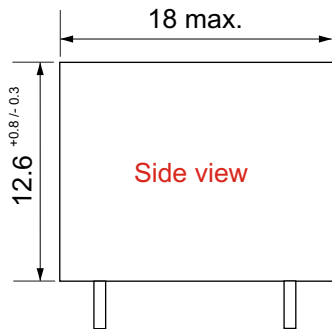
Inductance, measured at 0.1V, 1kHz, series equivalent

1.15H typ. per winding

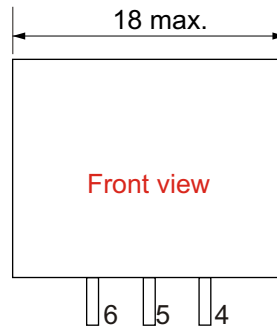
Hi-pot, primary to secondary: 3kVAC for 2 seconds

Operating temperature range: -20 to + 75°C

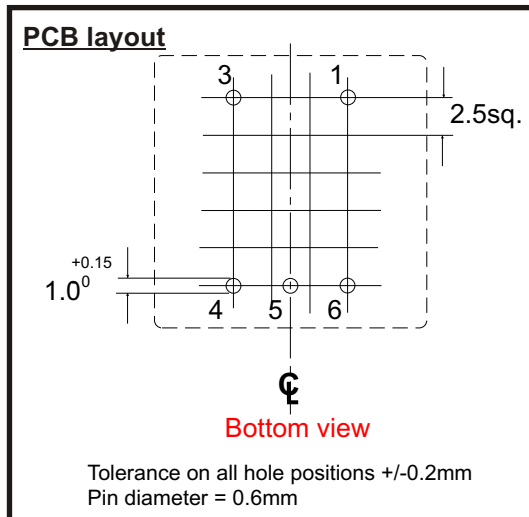
Storage temperature range: -40°C to +125°C



Side view

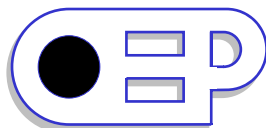


Front view



Bottom view

Tolerance on all hole positions +/-0.2mm
Pin diameter = 0.6mm



Walters Group Holdings Ltd.
Unit 5, Oxonian Park, Langford Locks,
Kidlington, Oxfordshire. OX5 1FP
Tel: (01865) 855085 Fax: (01865) 855075
Website: www.oep.co.uk

DESCRIPTION	ISSUE	DATE	DRAWN	CHECKED	DRAWING NUMBER
1 to 1, 100 ohms isolation transformer	1	05/01/12	CS		Z1646E

Scale: nts

All dimensions in mm unless stated otherwise