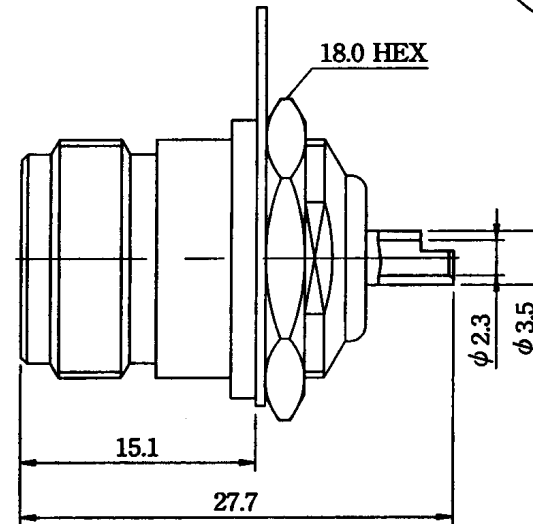
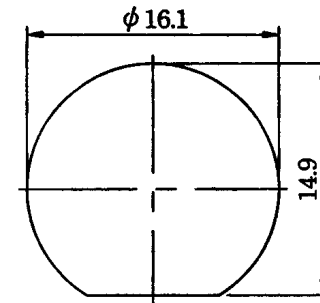
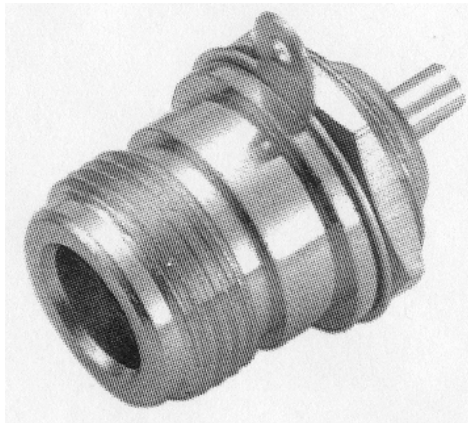


SPECIFICATIONS

Impedance: 50 ohms
 Frequency range: 0-11 GHz
 Voltage rating: 1,000 VRMS max.
 Withstanding: 2,500 VRMS for 1 min.
 VSWR: 1.3 max.
 Inner contact resistance: 3 milliohms max.
 Outer contact resistance: 2 milliohms max.
 Insulator resistance: 5,000 megohms min.
 Body material: Brass
 Body plating: Nickel
 Center contact: Phosphor bronze
 Insulator material: Teflon, Delrin



RoHS compliant

Rev.	Description	Date	Approved	Drawing	Name	Date
				Approved	Howard	08/10/99
				Checked	Lizzy	08/10/99
				Drawn	Tina	08/10/99
				0.0 ± 0.35	0.00 ± 0.20	Angles ± 3'
				UNIT: mm		

Central Components Manufacturing
 440 Lincoln Blvd., Middlesex, New Jersey 08846
 Phone 732 469-5720 888 288-5152 Fax 732 469-1919

Part No.: **CRF-CCM-N-7315-A**

Description: N connector, female, solder contact, bulkhead mount