



Raychem

TE Internal #: 282531-003

Hook Up Wire, MIL-DTL-81044, 600V Voltage Rating, Green Wire Color, 18AWG Wire Size, Operating Temperature Range -65 – 150 °C

[View on TE.com >](#)

Wire & Cable > Hook Up Wire



Cable Type: MIL-DTL-81044

Voltage Rating: 600 V

Wire Color: Green

Insulation Material: Modified Radiation Cross-linked PVDF

Conductor Material: Tin-Coated Copper

## Features

### Product Type Features

Cable Style	Primary
Product Type	Cable
Product Classification	Cable - High Performance - Spec 44, 55 & RCW
Cable Type	MIL-DTL-81044

### Configuration Features

Number of Conductors	1
Number of Strands	19

### Electrical Characteristics

Voltage Rating	600 V
----------------	-------

### Body Features

Wire Color	Green
Insulation Material	Modified Radiation Cross-linked PVDF
Conductor Material	Tin-Coated Copper

### Dimensions

Overall Outside Diameter	1.65 mm[.065 in]
Wire Diameter	1.65 mm[.065 in]



Conductor Diameter	1.27 mm[.05 in]
Strand Size	30 AWG
Wire Size	18 AWG

**Usage Conditions**

Operating Temperature Range	-65 – 150 °C
-----------------------------	--------------

**Other**

Wire Source	United States
-------------	---------------

**Product Compliance**

[For compliance documentation, visit the product page on TE.com>](#)

EU RoHS Directive 2011/65/EU	Compliant
EU ELV Directive 2000/53/EC	Compliant
China RoHS 2 Directive MIIT Order No 32, 2016	No Restricted Materials Above Threshold
EU REACH Regulation (EC) No. 1907/2006	Current ECHA Candidate List: JUN 2020 (209) Candidate List Declared Against: JAN 2019 (197) Does not contain REACH SVHC
Halogen Content	Out of Scope - excluded from Halogen requirements
Solder Process Capability	Not applicable for solder process capability

**Product Compliance Disclaimer**

This information is provided based on reasonable inquiry of our suppliers and represents our current actual knowledge based on the information they provided. This information is subject to change. The part numbers that TE has identified as EU RoHS compliant have a maximum concentration of 0.1% by weight in homogenous materials for lead, hexavalent chromium, mercury, PBB, PBDE, DBP, BBP, DEHP, DIBP, and 0.01% for cadmium, or qualify for an exemption to these limits as defined in the Annexes of Directive 2011/65/EU (RoHS2). Finished electrical and electronic equipment products will be CE marked as required by Directive 2011/65/EU. Components may not be CE marked. Additionally, the part numbers that TE has identified as EU ELV compliant have a maximum concentration of 0.1% by weight in homogenous materials for lead, hexavalent chromium, and mercury, and 0.01% for cadmium, or qualify for an exemption to these limits as defined in the Annexes of Directive 2000/53/EC (ELV). Regarding the REACH Regulation, the information TE provides on SVHC in articles for this part number is based on the latest European Chemicals Agency (ECHA) 'Guidance on requirements for substances in articles' posted at this URL: <https://echa.europa.eu/guidance-documents/guidance-on-reach>

**Compatible Parts**

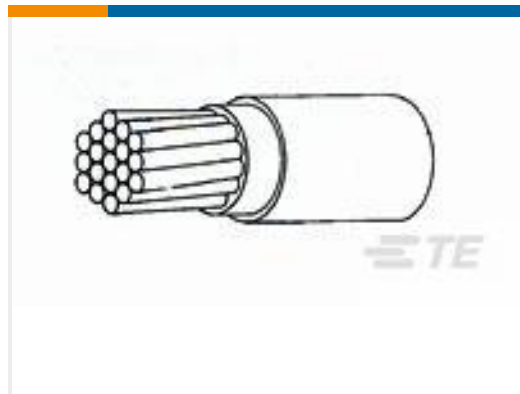


TE Model / Part # 650075-000  
D-436-37

## Customers Also Bought



TE Model / Part # YDIV40E11-05SAC009  
RECP ASSY



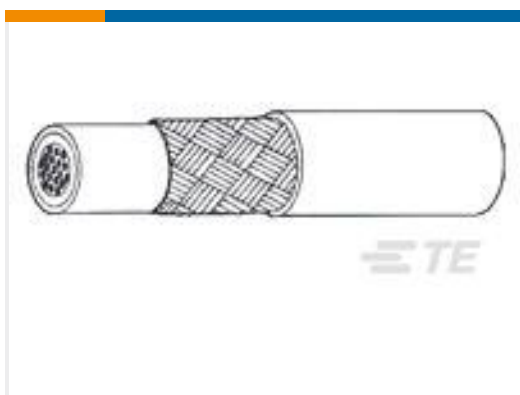
TE Model / Part # 265646-000  
81044/9-6-5



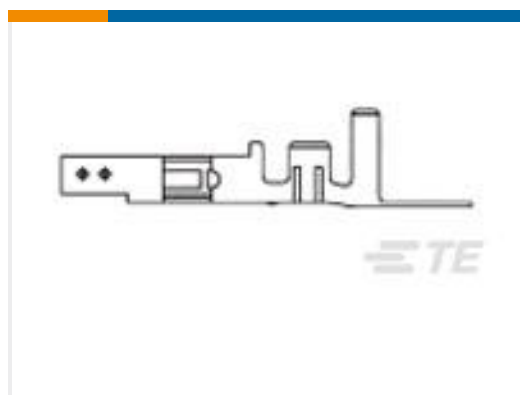
TE Model / Part # YDTS20T19-  
35SNV001  
RECP ASSY



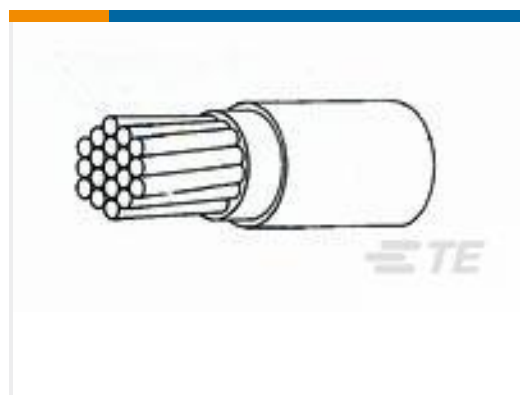
TE Model / Part #  
YDTS32Z15NV0010000  
CAP ASSEMBLY



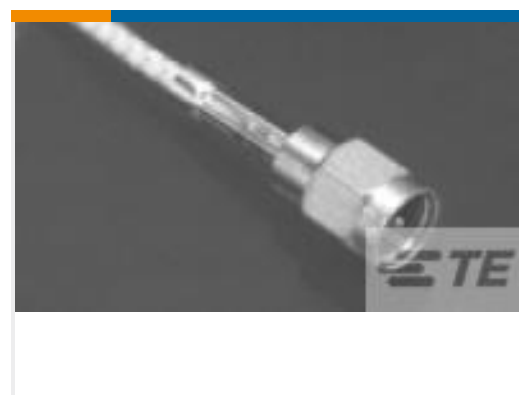
TE Model / Part # 387724-000  
44A1111-18-0-9



TE Model / Part # 794958-4  
VAL-U-LOK SKT PHBZ AU 22-26AWG



TE Model / Part # 282377-003  
81044/12-18-0



TE Model / Part # 1050785-1  
SMA Cable Plug 2001 8101 92



TE Model / Part # YDTS26Z15-  
97PAV001  
PLUG ASSY



TE Model / Part # 402511-000  
TX54AB90-1404

## Documents

### Product Drawings

[81044/12-18-5](#)

English

### Datasheets & Catalog Pages

[1654025\\_Sec9\\_SPEC44](#)

English

### Raychem Wire and Cable Quick Reference Guide

English



---

**Product Specifications**

**Product Specification**

English