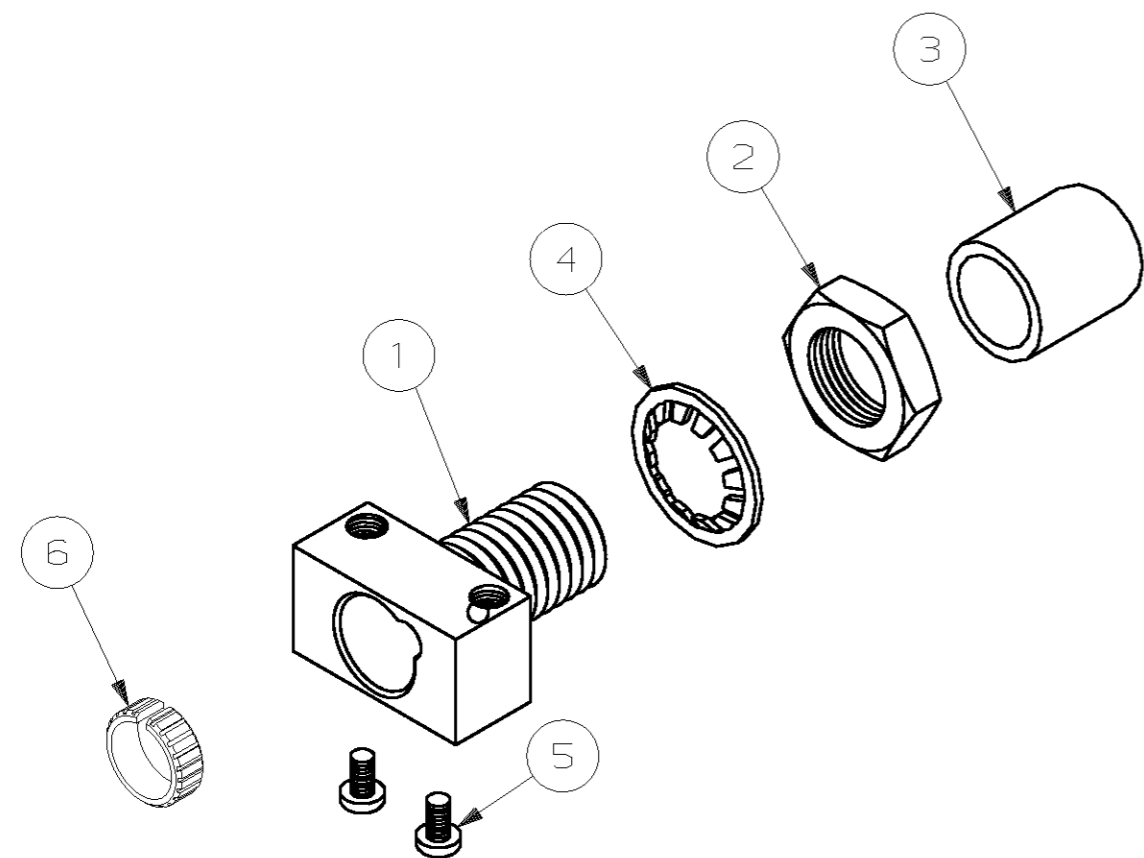
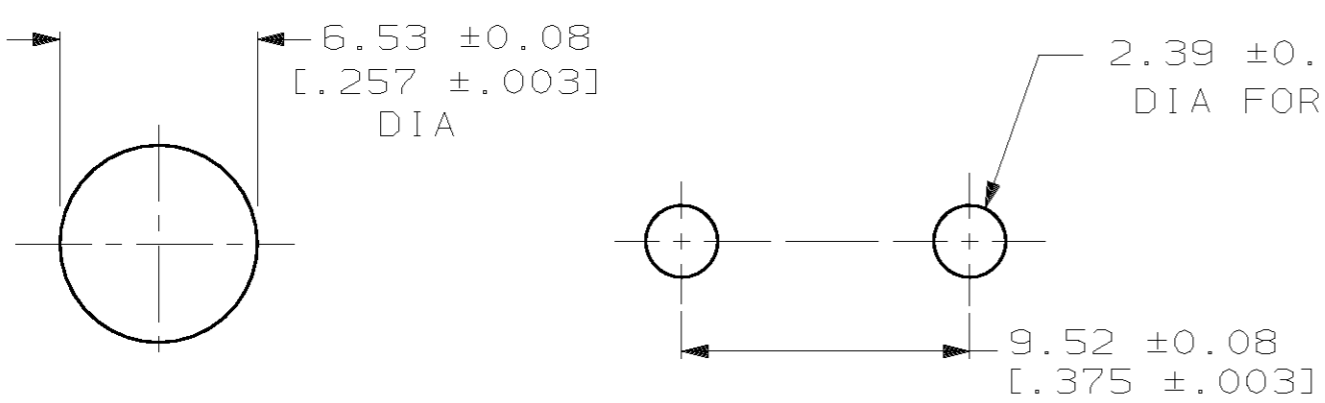


THIS DRAWING IS UNPUBLISHED. RELEASED FOR PUBLICATION, 19 .  
 © COPYRIGHT 19 BY AMP INCORPORATED. ALL INTERNATIONAL RIGHTS RESERVED.

LOC	DIST	P	F	REVISIONS				
CE	16			ZONE	LTR	DESCRIPTION	DATE	APPD
					N	REV PER 0A00-0065-03	6-5-03	DE/SB



1. MAX RECOMMENDED PANEL THICKNESS: 1.575 [.062]
2. ACCEPTS ACTIVE DEVICES: TO-18 TYPE, TO-46 TYPE, TO-52 TYPE, AND HONEYWELL LOW-COST PLASTIC SWEETSPOT
- 3 BULK PACKAGED
4. DIMENSIONS IN [ ] ARE IN INCHES



OBSOLETE

QTY REQ'D PER ASSY	PART NO	DESCRIPTION	ITEM NO.
1	501084-1	ALIGNMENT RING	6
2	2-22798-2	#2-56 SCREW	5
1	1-22145-3	LOCK WASHER	4
1	1-26538-9	PROTECTIVE CAP	3
1	981155-4	JAM NUT	2
1	501057-2	ACTIVE DEVICE PCB MT	1

DO NOT SCALE PRINT. UNLESS SPECIFIED DIMENSIONS IN mm TOLERANCES ON: 2 PLC DEC ± - 3 PLC DEC ± - ANGLES ± -		DR 3-12-86 J.ZEIDERS	AMP INCORPORATED Harrisburg, Pa. 17105
MATERIAL -		CHK 3-12-86 J.HOFFER	
FINISH -		APPD 3-12-86 M.BEARD	NAME ACTIVE DEVICE MOUNT KIT PCB AND PANEL MOUNT, FSMA, OPTIMATE
-		APPD 3-12-86 K.MONROE	SIZE <b>B</b> FSCM NO 00779 DRAWING NO 501055
-		PRODUCT SPEC -	SCALE NTS SHEET 1 OF 1
-		APPLICATION SPEC 15 9082	
-		WEIGHT -	

METRIC

- [Home](#)
- [Part Number Search](#)
- [Document Search](#)
- [Text Search](#)
- [Alternate Part Search](#)
- [Multiple Part Comparison](#)
- [Alphabetical Search](#)
- [Brand Search](#)
- [Industry Product Search](#)
- [Product Type Search](#)
- [Product Family Search](#)
- [Competitor Cross Reference](#)
- [Lead Free Solutions](#)
- [Help/Glossary](#)

<b>Current Brand View</b>	<input type="text" value="AMP"/>	<a href="#">View All Tyco Electronics Brands</a> <small>Click to activate links to all other products</small>
---------------------------	----------------------------------	--

## Fiber Optic Products

[FSMA Connectors](#)

[Active FSMA Device Mount Products](#)

**501055-1**  [Active](#) [Active](#)

**(Tyco Electronics P/N: 501055-1)**

[CAD Geometry](#) | [Search for Parts](#) |  [Previous](#) **1** [2] [3](#) [4](#) [5](#) [6](#) [Next](#)

Document links for this part cannot be displayed. Your browser does not support inline frames or is currently configured not to display inline frames. Inline frames are supported in both Internet Explorer 5 and Netscape 6, as well as all later versions of these browsers.

Related Part Information		
General Information	eCommerce	Related Part Information
<input type="checkbox"/> <a href="#">General Info</a> <input type="checkbox"/> <a href="#">Sales Info</a> <input type="checkbox"/> <a href="#">Assembly Subcontractors</a>	<input type="checkbox"/> <a href="#">Pricing</a> <input type="checkbox"/> <a href="#">Product Availability</a>	

**Photos & Line Drawings** - The photographs and/or line drawings are representative images of a product for viewing purposes only.

[Product Photo](#)

<b>Searchable Features:</b>	
<b>Brand:</b>	AMP
<b>Product Type:</b>	FSMA Active Device Mount
<b>Mount:</b>	Panel Mount, Printed Circuit Board
<b>Body Material:</b>	Stainless Steel
<b>Packaging Method:</b>	Individual

<b>Other Properties:</b>	
<b>Body Plating:</b>	Nickel
<b>Panel Mount Hardware:</b>	With