

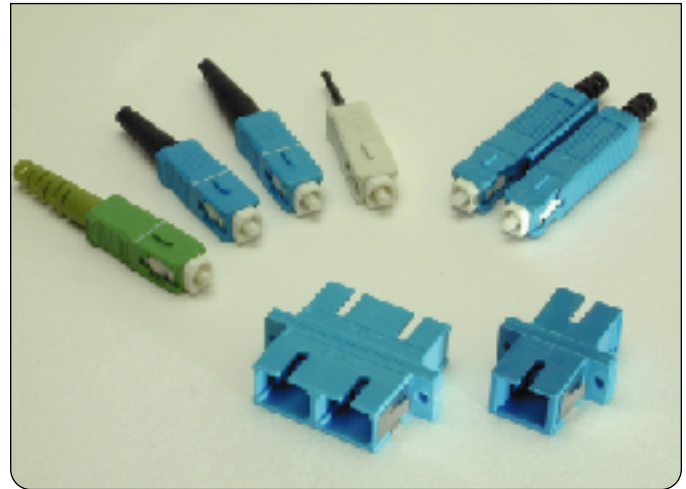
SC Connectors & Adapters

Amphenol's 954 series fiber optic SC connectors utilize a push-pull retention feature enabling easy insertion and removal, making it ideally suited for high density. The SC connector features an internal cavity that virtually eliminates the possibility of improper epoxy application, thus providing higher manufacturing yields.

Amphenol's SC connectors are exceptionally suited for factory and field installation. Every aspect of the connector system is precision manufactured to produce reliable and consistent performance. The SC is also designed to meet industry specifications for building wiring, EIA/TIA-568A.

Features

- ▶ Unique design automatically gauges correct epoxy dosage, improving yields and reliability.
- ▶ One-piece construction reduces termination time.
- ▶ Non-optical disconnect feature design prevents signal interruption.
- ▶ The highly concentric precision zirconia ferrules are pre-radiused to minimize insertion loss and back reflection.
- ▶ Available in singlemode, APC and multimode versions.
- ▶ Available for 3.0mm and 2.0mm cable with 900um bare fiber boots included.
- ▶ Excellent for factory or field terminations.
- ▶ Duplex version utilizes a flexible coupling sleeve, providing float between channels A and B.
- ▶ Teflon tube in the rear of the connector insures clean epoxy injection.



SC Connector & Adapter Family

Common Specifications

Insertion Loss: $\leq 0.15\text{dB}$ typical, singlemode, UPC
 $\leq 0.3\text{dB}$ typical, APC
 $\leq 0.35\text{dB}$ typical, multimode

Return Loss: super (SPC) $\leq -45\text{dB}^*$
ultra (UPC) $\leq -55\text{dB}^*$
angle (APC) $\leq -65\text{dB}^*$

Durability: $< 0.2\text{dB}$ change, 500 mating cycles

Temperature: $< 0.3\text{dB}$ change, -40 to $+85^\circ\text{C}$

Intermateability:

The Amphenol 954 series SC connectors and adapters are mechanically and optically intermateable with NTT SC type products and conform to JIS C 5973. SC duplex connectors and adapters conform to ANSI VX3T9.3 SC specifications and are intermateable.

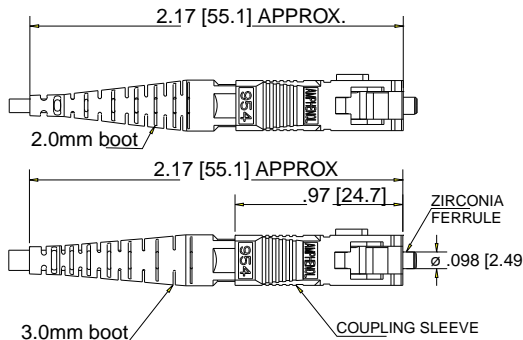
* Performance is polish dependent.

SC Connector Ordering Information

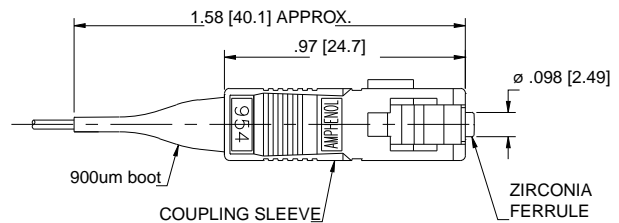
SC Simplex Connectors				
Part #	Description	Recommended Cable Diameter	Coupling Sleeve Color	Boot Color
954-101-5709	SC Simplex connector, singlemode, 125.5µm zirconia ferrule	3.0mm or 900µm	blue	blue/blue
954-101-5706	SC Simplex connector, singlemode, 126µm zirconia ferrule	3.0mm or 900µm	blue	blue/blue
954-101-5708	SC Simplex connector, multimode, 128µm zirconia ferrule	3.0mm or 900µm	beige	black/black
954-101-5809	SC Simplex connector, singlemode 125.5µm zirconia ferrule	2.0mm or 900µm	blue	blue/blue
954-101-5806	SC Simplex connector, singlemode 126µm zirconia ferrule	2.0mm or 900µm	blue	blue/blue
954-101-5808	SC Simplex connector, multimode, 128µm zirconia ferrule	2.0mm or 900µm	beige	black/black
954-103-5709	SC/APC Simplex connector, singlemode, 125.5µm ferrule	3.0mm or 900µm	green	green/green
954-103-5706	SC/APC Simplex connector, singlemode, 126µm ferrule	3.0mm or 900µm	green	green/green
954-103-5809	SC/APC Simplex connector, singlemode, 125.5µm zirconia ferrule	2.0mm or 900µm	green	green/green
954-103-5806	SC/APC Simplex connector, singlemode, 126µm zirconia ferrule	2.0mm or 900µm	green	green/green

SC Duplex Connectors				
Part #	Description	Recommended Cable Diameter	Coupling Sleeve Color	Boot Color
954-101-5209	SC Duplex connector, singlemode, 125.5µm zirconia ferrule	3.0mm	blue	blue/blue
954-101-5206	SC Duplex connector, singlemode, 126µm zirconia ferrule	3.0mm	blue	blue/blue
954-101-5210	SC Duplex connector, multimode, 128µm zirconia ferrule	3.0mm	beige	black/black
954-101-5220	SC Duplex connector, multimode, 128µm zirconia ferrule	3.0mm	black	black/black

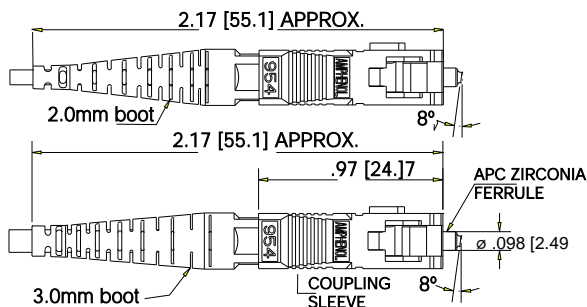
SC Connector Line Drawings



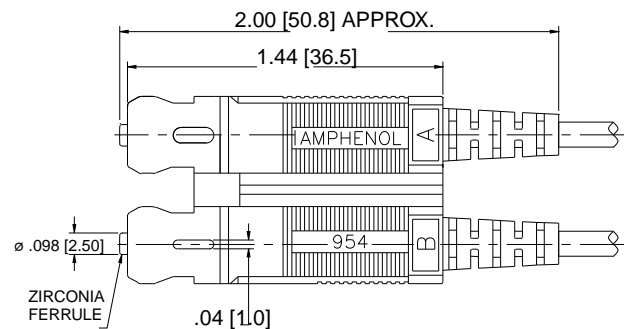
SC simplex connector with 2.0mm & 3.0mm boots



SC simplex connector with 900µm boot



SC/APC simplex connector with 2.0mm & 3.0mm boots



SC duplex connector with 3.0mm boot

SC Simplex Adapter Ordering Information

SC Simplex Adapters				
Part #	Description	Alignment	Flange Type	Color
		Sleeve Material		
954-120-5000	SC Simplex adapter, singlemode	zirconia	screw mount	blue
954-120-5001	SC Simplex adapter, singlemode	phosphor bronze	screw mount	blue
954-120-5109	SC Simplex adapter, APC	zirconia	screw mount	green
954-122-5002	SC Simplex adapter, multimode	phosphor bronze	screw mount	beige
954-122-5001	SC Simplex adapter, multimode	phosphor bronze	screw mount	black
954-120-5108	SC Simplex adapter, singlemode	zirconia	small flange	blue
954-120-5101	SC Simplex adapter, singlemode	phosphor bronze	small flange	blue
954-120-5111	SC Simplex adapter, APC	zirconia	small flange	green
954-122-5102	SC Simplex adapter, multimode	phosphor bronze	small flange	beige
954-122-5110	SC Simplex adapter, multimode	phosphor bronze	small flange	black

SC Simplex Hybrid Adapters				
Part #	Description	Alignment	Flange Type	Color
		Sleeve Material		
954-944-5001	SC-FC Hybrid simplex adapter, singlemode	zirconia	screw mount	metallic
954-944-5000	SC-FC Hybrid simplex adapter, multimode	phosphor bronze	screw mount	metallic
954-953-5000	SC-ST Hybrid simplex adapter, singlemode	zirconia	screw mount	blue/black
954-953-5001	SC-ST Hybrid simplex adapter, singlemode	phosphor bronze	screw mount	blue/black

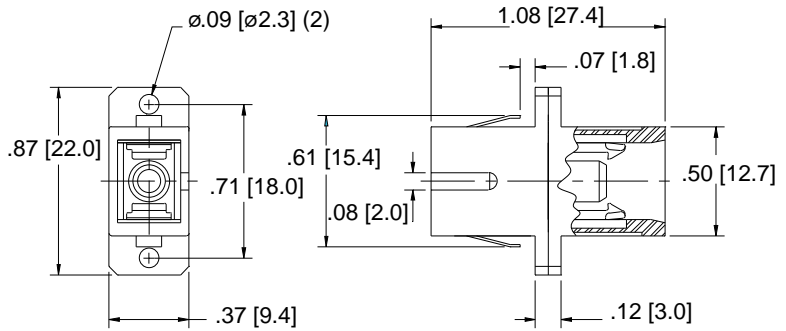
SC Duplex Adapter Ordering Information

SC Duplex Adapters				
Part #	Description	Alignment	Flange Type	Housing
		Sleeve Material		Color
954-120-5200	SC Duplex adapter, singlemode	zirconia	screw mount	blue
954-122-5201	SC Duplex adapter, singlemode	phosphor bronze	screw mount	blue
954-120-5209	SC Duplex adapter, APC	zirconia	screw mount	green
954-122-5210	SC Duplex adapter, multimode	phosphor bronze	screw mount	beige
954-122-5211	SC Duplex adapter, multimode	phosphor bronze	screw mount	black
954-120-5400	SC Duplex adapter, singlemode	zirconia	small flange	blue
954-120-5401	SC Duplex adapter, singlemode	phosphor bronze	small flange	blue
954-120-5409	SC Duplex adapter, singlemode	zirconia	small flange	green
954-122-5410	SC Duplex adapter, multimode	phosphor bronze	small flange	beige
954-122-5411	SC Duplex adapter, multimode	phosphor bronze	small flange	black

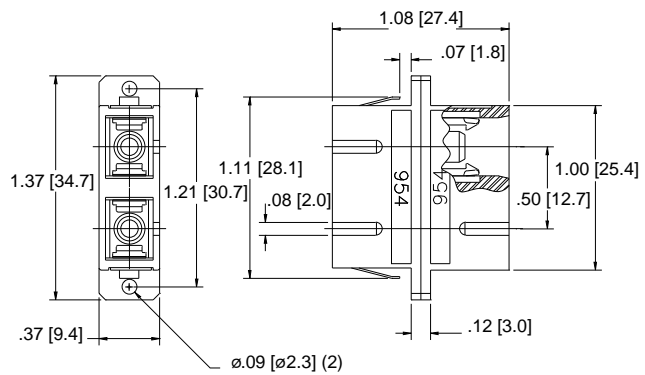
SC Hybrid Adapters				
Part #	Description	Alignment	Flange Type	Housing
		Sleeve Material		Color
954-953-5200	SC-ST Hybrid duplex adapter, singlemode	zirconia	screw mount	blue
954-953-5201	SC-ST Hybrid duplex adapter, singlemode	phosphor bronze	screw mount	blue
954-953-5202	SC-ST Hybrid duplex adapter, singlemode	zirconia	screw mount	black
954-953-5210	SC-ST Hybrid duplex adapter, multimode	phosphor bronze	screw mount	beige

SC Adapter Line Drawings

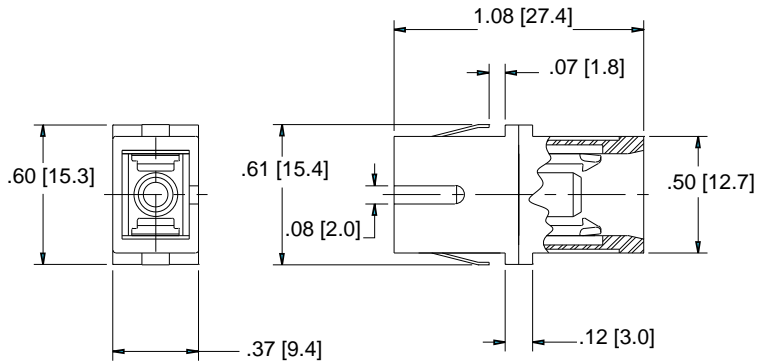
SC simplex adapter with flange



SC duplex adapter with flange



SC simplex adapter with reduced flange



SC duplex adapter with reduced flange

