

NUMBER 179447

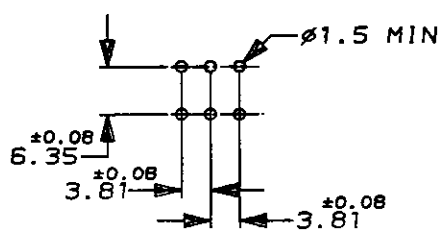
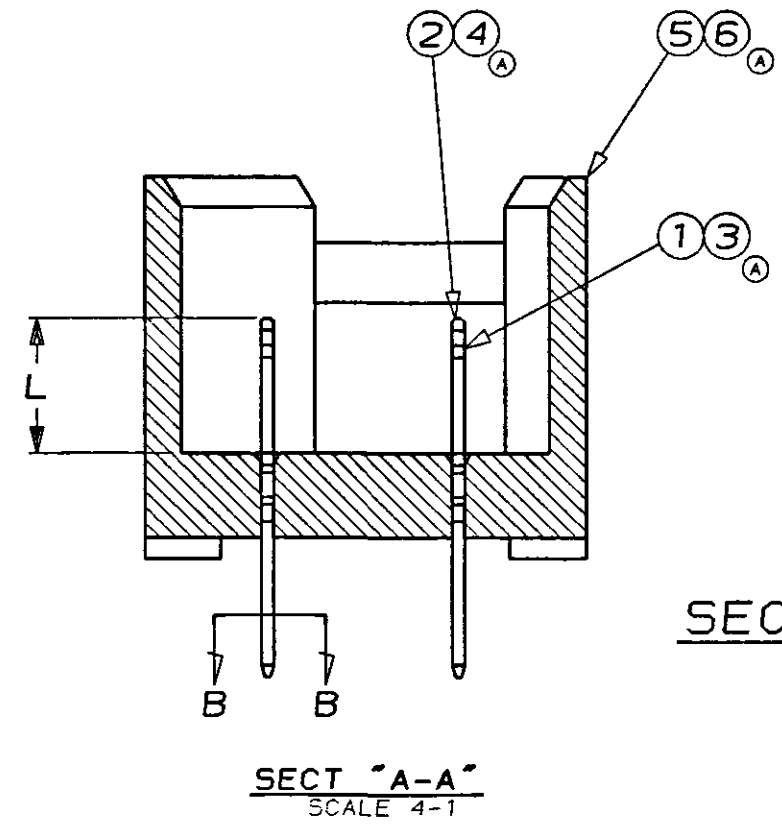
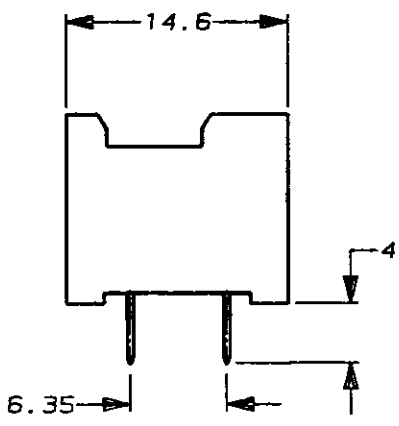
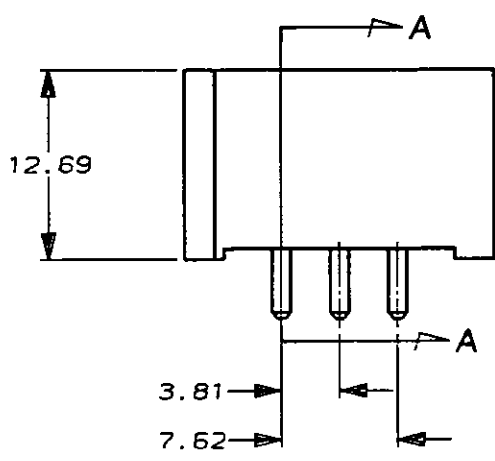
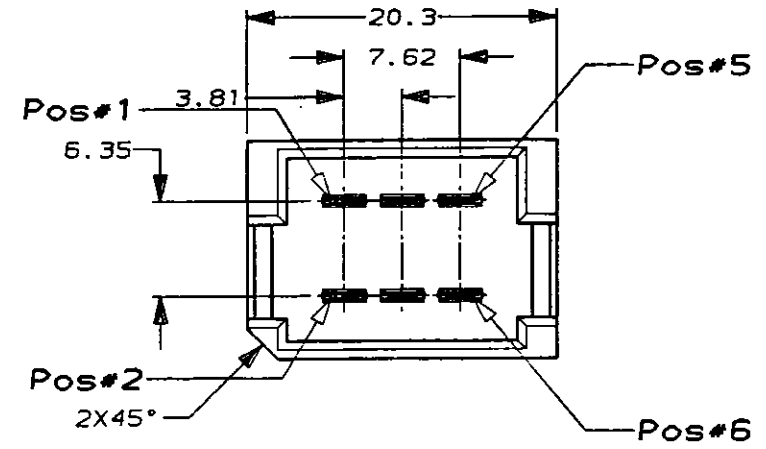
三角法 (3rd ANGLE PROJECTION)

METRIC

単位: mm DIMENSIONS IN MM. DO NOT SCALE PRINT

PRINT DIST

HSG COLOR	BLACK	NATURAL
6.5	— / —	1, 6
5.9	— / —	2, 3, 4, 5
4.5	5, 6	— / —
3.5	1, 2, 3, 4	— / —
L	POSITION No. 0-179447-1	POSITION No. 1-179447-1(A)



推奨基板寸法 (3t±0.2)
 RECOMMENDED P.C. BOARD DIM. (3t±0.2)
 (コネクタ取付け側より見る)
 (VIEW FROM CONN. SIDE.)

ITEM NO.	名称 / NAME	材質 / MATERIAL
⑥	ヘッドハウジング HDR.HOUSING	液晶ポリマー (自然色) LIQUID CRYSTALL POLYMER
⑤	ヘッドハウジング HDR.HOUSING	液晶ポリマー (黒) LIQUID CRYSTALL POLYMER
④	ポスト・コンタクト (L=6.5) POST CONTACT (L=6.5)	銅合金 FINISH UNDER Ni 1.27µm MIN CONTACT AREA Au 0.5µm MIN TINE AREA Sn-Pb 1µm MIN
③	ポスト・コンタクト (L=5.9) POST CONTACT (L=5.9)	銅合金 FINISH UNDER Ni 1.27µm MIN CONTACT AREA Au 0.5µm MIN TINE AREA Sn-Pb 1µm MIN
②	ポスト・コンタクト (L=4.5) POST CONTACT (L=4.5)	銅合金 FINISH UNDER Ni 1.27µm MIN CONTACT AREA Au 0.5µm MIN TINE AREA Sn-Pb 1µm MIN
①	ポスト・コンタクト (L=3.5) POST CONTACT (L=3.5)	銅合金 FINISH UNDER Ni 1.27µm MIN CONTACT AREA Au 0.5µm MIN TINE AREA Sn-Pb 1µm MIN

Copyright ©1994年 AMP (Japan), LTD. ALL RIGHTS RESERVED.		Copyright ©1994 AMP (Japan), LTD. ALL RIGHTS RESERVED.		AMP 日本エー・エム・ピー株式会社 Tokyo, Japan	
材料 (MATERIAL) 表参照 SEE TABLE		仕上 (FINISH) 表参照 SEE TABLE		名称 (NAME) HDR. ASS'Y (6P) Z-PACK J-II POWER CONN.	
A 変更 REVISED (FJ00-0702-94) K.I.S.M. 6-1 '94		DR. 28/JAN/'94 K.IKEGAMI		一般公差 (GENERAL TOLERANCE) 10以下: ±0.2 10以上 30以下: ±0.25 30以上 100以下: ±0.3 角度: ±3°	
O 制定 RELEASED (FJ00-0113-94) K.I.I.H. 31/JAN/'94		DE. 28/JAN/'94 K.IKEGAMI		LOC J 番号 (No.) 179447	
LTR 変更 (REVISION RECORD) DR CHK DATE		CHK. 31/JAN/'94 I.HASEGAWA APP. 31/JAN/'94 S.MANABE		尺度 (SCALE) 2-1 REV. A SHEET 1 OF 1	

(CUSTOMER DRAWING) 参考 面



[Products](#) | [Brands](#) | [Industries](#) | [Customer Service](#) | [About](#)

- [Home](#)
- [Part Number Search](#)
- [Text Search](#)
- [Alternate Part Search](#)
- [Multiple Part Comparison](#)
- [Alphabetical Search](#)
- [Brand Search](#)
- [Industry Product Search](#)
- [Product Type Search](#)
- [Product Family Search](#)
- [Competitor Cross Reference](#)
- [Document Number Search](#)
- [Lead Free Solutions](#)
- [Help/Glossary](#)

Current Brand View	AMP	View All Tyco Electronics Brands <small>Click to activate links to all other products</small>
---------------------------	---------------------	--

High Speed Connectors

.050 Centerline High Speed Interconnection System (Z-PACK .050 J Series)

[AMP](#) **1-179447-1** -- 1 of 2 products
(Tyco Electronics P/N: 1-179447-1)

Next	Sales Information	AMP ACES	Step Search Screen
Related Documents		General Information	
Pricing		Product Availability	

Please use the customer drawing for all design activity.

- **Customer Drawing: 179447, Rev. A**
 Document Title: HDR ASSY (6P) Z PACK JII POWER CONN

[166742.pdf](#) [166742.pdf](#) (41K)

Searchable Features:

Brand:	AMP
Product Type:	Header
No. of Positions:	6
Connector Type:	Power
Termination Post Length (mm [in]):	4.00 [.157]
Post Type:	Solder Post

Other Properties:

Housing Material:	Liquid Crystal Polymer (LCP)
Housing Color:	Natural
Contact Material:	Copper Alloy
Contact Mating Area Plating:	Gold (20)
Solder Tail Plating:	Tin-Lead
PCB Thickness (mm [in]):	3.00 [.118]
Mating Post Length (mm [in]):	6.50 [.256] (posts 1,6), 5.90 [.232] (posts 2,3,4,5)
Voltage Rating:	60 VDC/75VAC

[Copyright](#) and [Privacy Statement](#)

Visit [Tyco International, Ltd.](#)

[Products](#) | [Brands](#) | [Industries](#) | [Customer Service](#) | [About](#) | [Home](#)