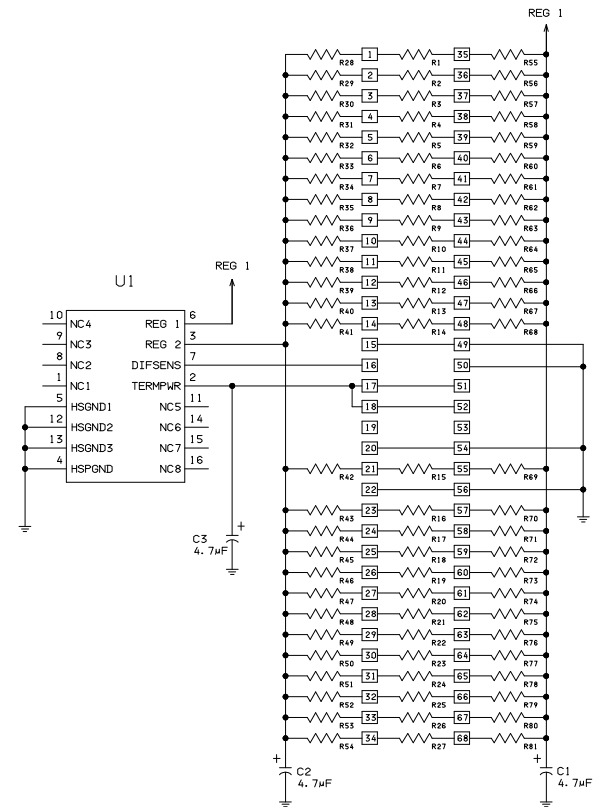
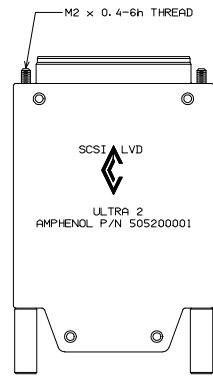
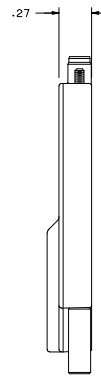
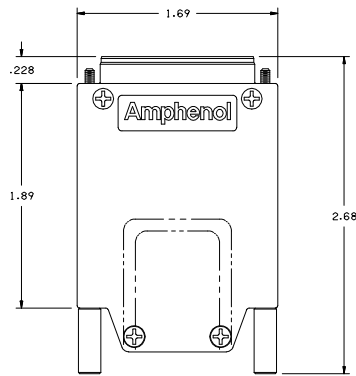
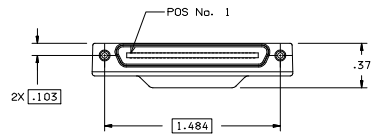


REVISIONS				
ZONE	LTR	DESCRIPTION	DATE	APPROVED
		CUSTOMER DRAWING		

LOW VOLTAGE DIFFERENTIAL SCHEMATIC



C1, C2, C3 = 4.7µF ± 20%, 16V, TANTALUM
R1 - R27 = 121 OHM ± 1%
R28 - R81 = 475 OHM ± 1%
U1 = VOLTAGE REGULATOR, SCS1 LVD

UNLESS OTHERWISE SPECIFIED DIMENSIONS ARE IN INCHES TOLERANCE ON		EAR NO.	Amphenol Interconnect Products 20 VALLEY ST. PHONE (888) 275-2472 ENDICOTT, NY 13760 FAX (607) 786-4311	
FRAC- TION	DECIMAL .XX XXX	ANGLE	SIGNATURES	DATE
±	±	±	DRAWN J LaShier	11/99
			CHECKED	
			APPROVED	
			APPROVED	
CAD DRAWING			SIZE D	REV
			505200001	
SCALE: 2 / 1			SHEET 1 OF 1	