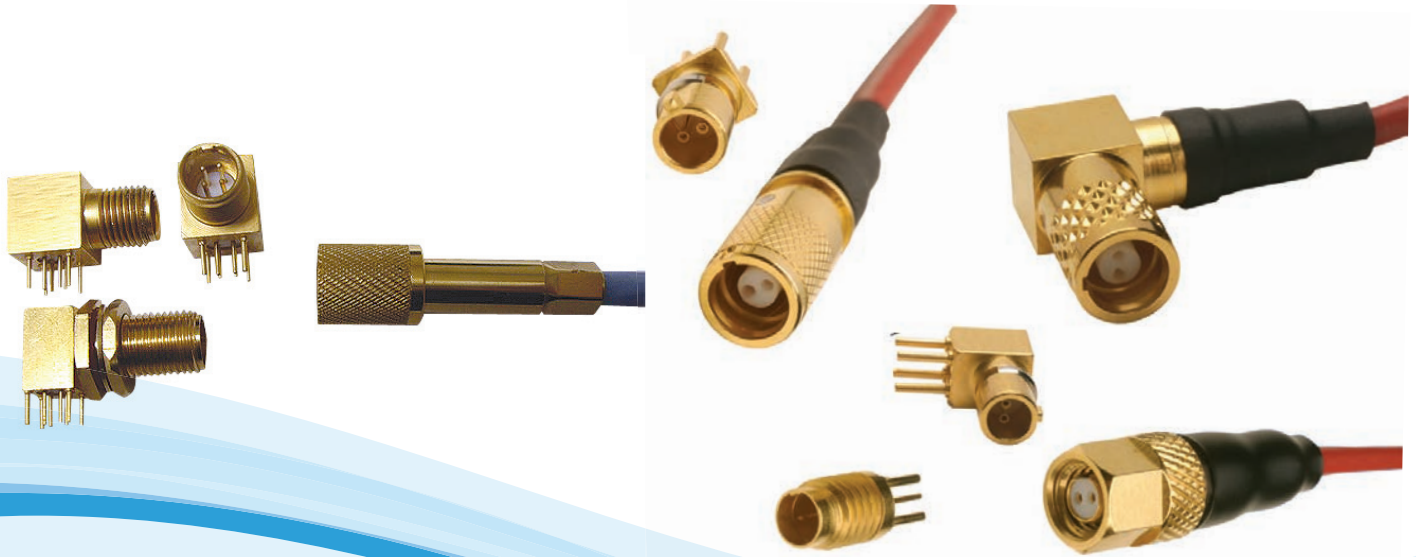


MICRO TWINAX/QUADRAX CONNECTORS

High Speed Twinax and Quadrax Connectors



- ▶ **Micro Twinax available in threaded, quick disconnect, SMA and Micro-D size packages**
- ▶ **25% smaller in diameter than SMA coaxial connectors**
- ▶ **Controlled impedance with tightly spaced PCB footprint spacing.**

Smiths Connectors Sabritec's Micro Twinax NDL line features matched impedance miniaturized connectors that provide the user with controlled impedance and tightly spaced PCB footprint spacing.

The NDL Micro Twinax Series is offered in threaded and quick disconnect styles and are 25% smaller in diameter than SMA coaxial connectors. The quick disconnect version has a diameter of .250" max and the threaded version has .250" Hex coupling nut.

Micro Quadrax connectors are designed for differential pair matched impedance applications utilizing quadrax cable consisting of four wires where the diagonal pair of conductors forms a differential twinax pair. These connectors maintain the signal to shield impedance throughout the mated connector pair (quad configuration applications exceeding 1 Gbit/sec) and are available in threaded versions including straight and right angle PCB mount configurations.

Micro Twinax and Quadrax connectors have a low impedance ground shield and are ideal for High-Speed Ethernet (100 and 1000 Base-T), Fibre Channel (>1 Gbits/sec), IEEE 1394 Firewire, USB, DVI and Infiniband applications with 100 or 150 Ohm differential pair impedance.

▶ MECHANICAL & ENVIRONMENTAL SPECIFICATIONS

- Temperature Rating:** -55°C to +125°C
- Corrosion:** MIL-STD-202 Method 101 Test Condition B
- Shock:** MIL-STD-202 Method 213 Test Condition B
- Vibration:** MIL-STD-202 Method 204 Test Condition B
- Thermal Shock:** MIL-STD-202 Method 107 Test Condition B
- Durability:** 500 Mate/Unmate cycles min.
- Coupling Nut Torque (threaded) Recommended:** 2.3 in-lbs min.
- Mating Torque (threaded):** 2.5 in-lbs
- Engagement /Disengagement Force (Quick Disconnect):** 3 lbs max / 3 to 5 lbs

▶ ELECTRICAL SPECIFICATIONS

- Dielectric Withstanding Voltage:** 250 VDC max
- Insulation Resistance:** 5,000 Mega-Ohms min.
- Contact Current Rating:** 3.0 Amps D.C. max.
- Data Rates:** >1 Gbits/sec
- Differential Pair Cable Impedance:** 150 Ohm ± 15 Ohm
100 Ohm ± 10 Ohms
- Signal to Shield Cable Impedance:** 75 Ohm ± 10 Ohm
50 Ohm ± 7 Ohms

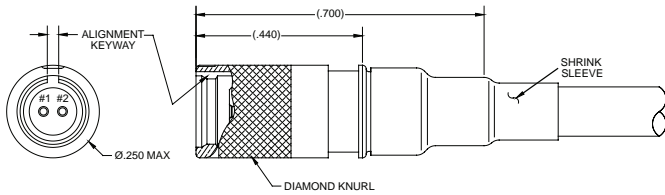
▶ MATERIAL & FINISHES

- Body:** Brass per ASTM-B16, BeCu per ASTM-B196
Nickel per SAE-AMS-QQ-N-290
Gold per ASTM-B488
- Insulators:** PTFE per ASTM-D1710
Ultem per ASTM-D5205
- Contacts:** BeCu per ASTM-B196
Gold per ASTM-B488

MICRO TWINAX CONNECTORS

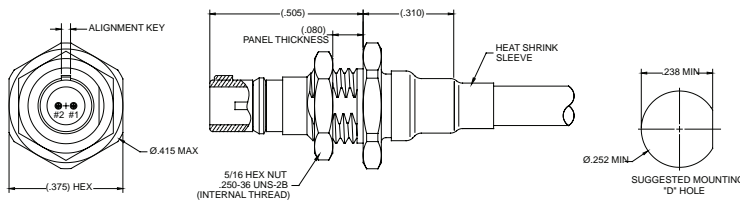
QUICK DISCONNECT NDL SIZE PACKAGES

▶ QUICK DISCONNECT MICRO TWINAX NDL PLUG 100 AND 150 OHM



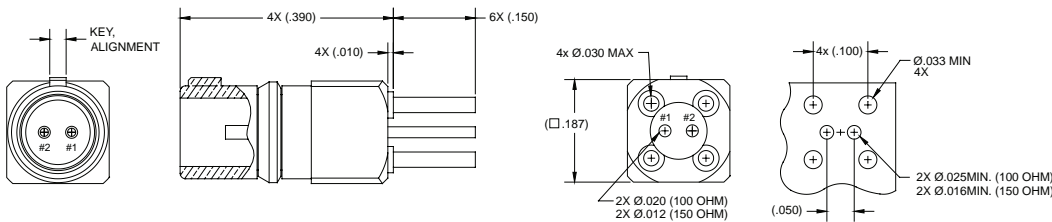
PART #	OHMS	CABLE TYPE	CABLE
014034-2049	100	Differential Twinax	540-1153-000
014034-2050	100	Flexible Twinax	540-1161-000
014034-2051	100	Differential Twinax	540-1167-000
014034-2052	150	Flexible Twinax	540-1099-000

▶ QUICK DISCONNECT MICRO TWINAX NDL BULKHEAD MOUNT JACK 100 AND 150 OHM



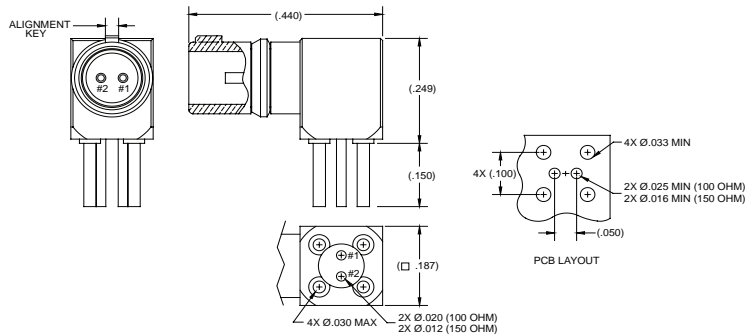
PART #	OHMS	CABLE TYPE	CABLE
014134-5023	100	Differential Twinax	540-1153-000
014134-5024	100	Flexible Twinax	540-1161-000
014134-5025	100	Differential Twinax	540-1167-000
014134-5026	150	Flexible Twinax	540-1099-000

▶ QUICK DISCONNECT MICRO TWINAX NDL JACK STRAIGHT PCB MOUNT 100 AND 150 OHM



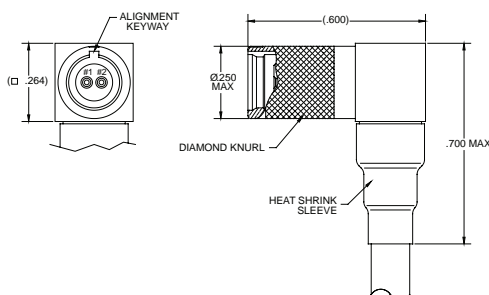
PART #	IMPEDANCE
014117-2023	100 Ohms
014117-2024	150 Ohms

▶ QUICK DISCONNECT MICRO TWINAX NDL RIGHT ANGLE PCB MOUNT 100 AND 150 OHM



PART #	IMPEDANCE
014117-1037	100 Ohms
014117-1038	150 Ohms

▶ QUICK DISCONNECT MICRO TWINAX NDL RIGHT ANGLE PLUG 100 AND 150 OHM

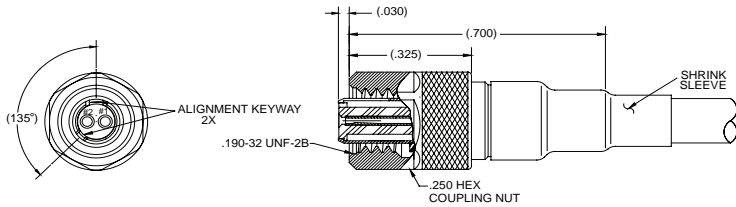


PART #	OHMS	CABLE TYPE	CABLE
014034-1027	100	Differential Twinax	540-1153-000
014034-1028	100	Flexible Twinax	540-1161-000
014034-1029	100	Differential Twinax	540-1167-000
014034-1030	150	Flexible Twinax	540-1099-000

MICRO TWINAX CONNECTORS

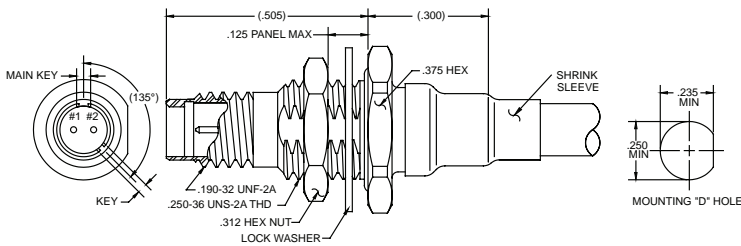
THREADED NDL SIZE PACKAGES

▶ THREADED MICRO TWINAX NDL STRAIGHT CABLE PLUG 100 AND 150 OHM



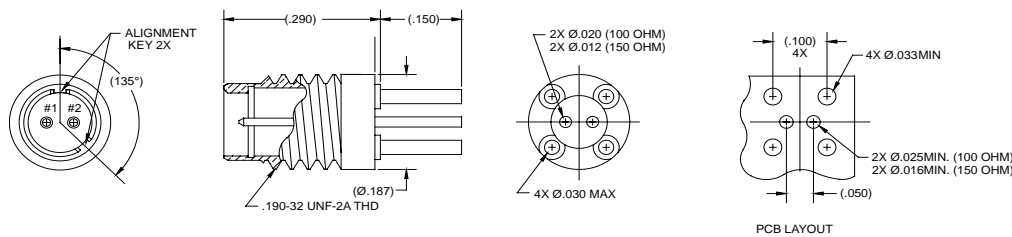
PART #	OHMS	CABLE TYPE	CABLE
014034-2045	100	Differential Twinax	540-1153-000
014034-2046	100	Flexible Twinax	540-1161-000
014304-2047	100	Differential Twinax	540-1167-000
014034-2048	150	Differential Twinax	540-1099-000

▶ THREADED MICRO TWINAX NDL BULKHEAD MOUNT JACK 100 AND 150 OHM



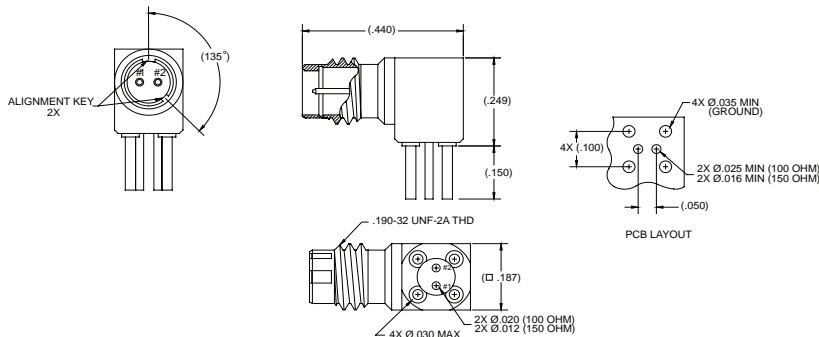
PART #	OHMS	CABLE TYPE	CABLE
014134-5018	100	Differential Twinax	540-1153-000
014134-5019	100	Flexible Twinax	540-1161-000
014134-5020	100	Differential Twinax	540-1167-000
014134-5021	150	Differential Twinax	540-1099-000

▶ THREADED MICRO TWINAX NDL STRAIGHT JACK 100 AND 150 OHM PCB MOUNT



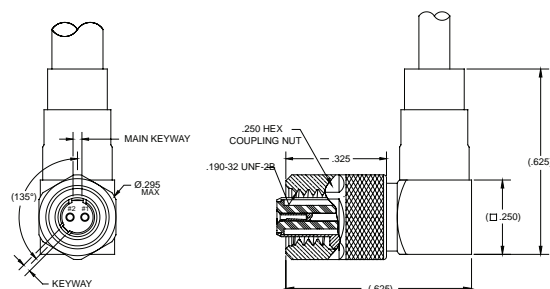
PART #	IMPEDANCE
014117-2020	100 Ohms
014117-2021	150 Ohms

▶ THREADED MICRO TWINAX NDL RIGHT ANGLE JACK 100 AND 150 OHM PCB MOUNT



PART #	IMPEDANCE
014117-1030	100 Ohms
014117-1031	150 Ohms

▶ THREADED MICRO TWINAX NDL RIGHT ANGLE PLUG 100 AND 150 OHM

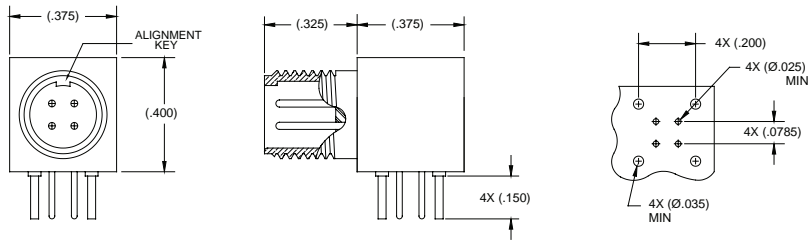


PART #	OHMS	CABLE TYPE	CABLE
014034-1020	100	Flexible Twinax	540-1153-000
014034-1021	100	Differential Twinax	540-1161-000
014034-1022	100	Differential Twinax	540-1167-000
014034-1023	150	Flexible Twinax	540-1099-000

MICRO QUADRAx CONNECTORS

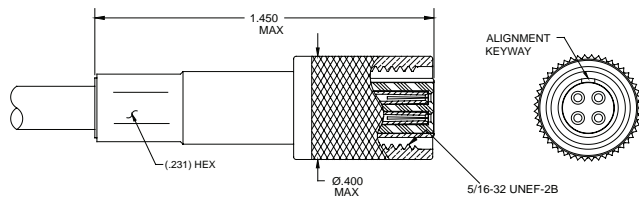
100 OHM QUADRAx

▶ MICRO QUADRAx RIGHT ANGLE PCB MOUNT RECEPTACLE



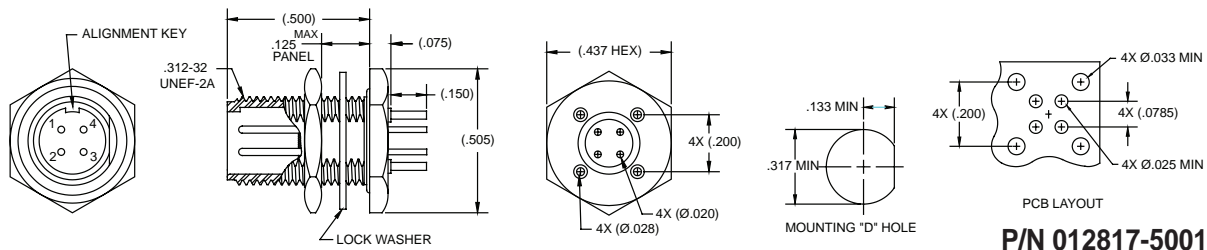
P/N 012817-1000

▶ MICRO QUADRAx PLUG 100 OHM

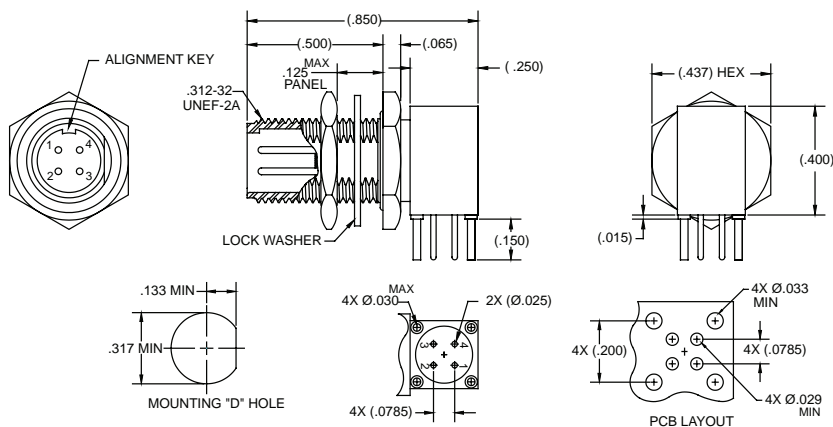


PART #	CABLE TYPE	CABLE
012735-2013	Differential Quad	540-1183-000

▶ MICRO QUADRAx STRAIGHT BULKHEAD MOUNT PCB JACK



▶ MICRO QUADRAx RIGHT ANGLE BULKHEAD MOUNT PCB JACK



P/N 012817-5003

smiths connectors

FOR MORE INFORMATION | smithsconnectors.com |    