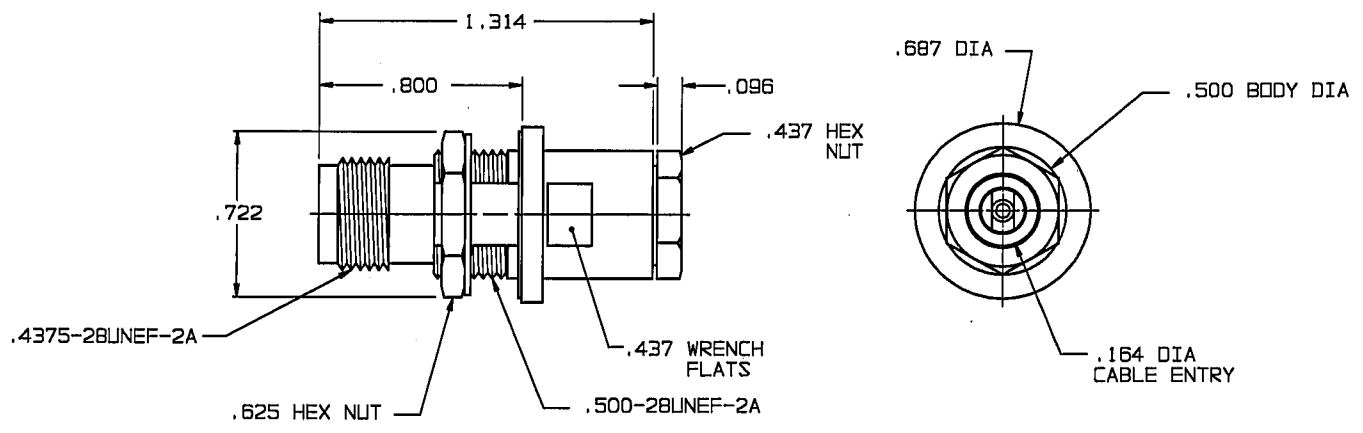


RED INDICATES ORIGINAL

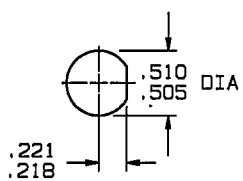
DWG SIZE
C

DATA CONTAINED IN THIS DOCUMENT IS PROPRIETARY TO TROMPETER ELECTRONICS INC. AND SHALL NOT BE DISCLOSED, COPIED OR USED FOR PROCUREMENT OR MANUFACTURE WITHOUT EXPRESS WRITTEN PERMISSION.

REVISIONS			305-0945		SH 1
REV	EO	DESCRIPTION	DWN	APPROVED	DATE
A		PRODUCTION RELEASE	DKC		



INCH	MM
.005	0.13
.096	2.44
.160	4.06
.164	4.17
.218	5.54
.221	5.61
.437	11.10
.500	12.70
.505	12.83
.510	12.95
.625	15.88
.687	17.45
.722	18.34
.800	20.32
1.314	33.38



5. ASSEMBLE PER 305-0638 SHEET 2
4. CONCENTRIC TWINAX/TRIAX TRT BULKHEAD MOUNT CABLE RECEPTACLE
3. MAX PANEL THK .160
2. FINISH:TFS-1W (O.D. CADMIUM)
1. ALL DIM ARE IN INCHES

RECOMMENDED
PANEL CUTOUT
SCALE: 1/1

QTY	DESCRIPTION		PART NUMBER	ITEM
TOL UNLESS SPECIFIED	TROMPETER ELECTRONICS, INC.		B379 SPL (O.D. CADMIUM)	
.xx ±				
.xxx ± .005				
.xxxx ±				
ANGLES ±				
DWN	DKC	9-14-94	MATERIAL	CODE IDENT
CHK	BMM	9-16-94	—	14949
ENGR				305-0945
APPR	Fd	9/16/94	SCALE 2/1	DATE 9/28/94
NEXT ASSY				SHEET 1 OF 2