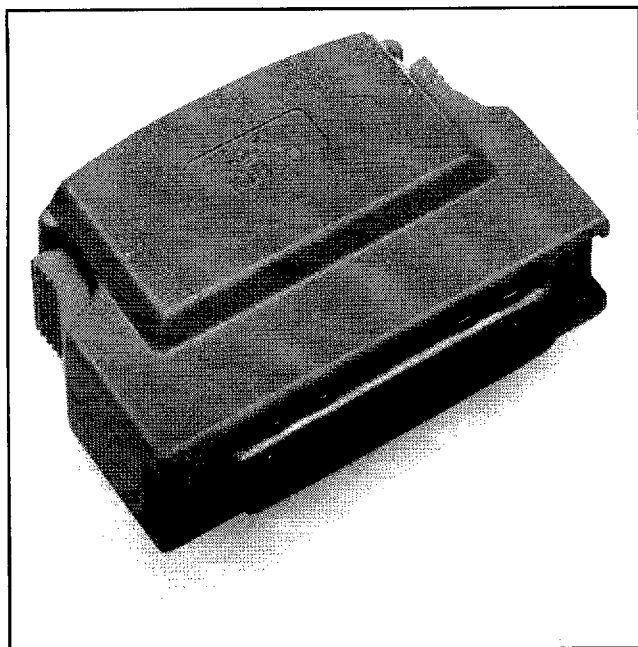


Mini D Ribbon Connectors

.050" Terminator

10550-0001-00X Series



- 50 position single-ended terminator
- Ribbon type contact — industry preferred
- Excellent EMI/ESD protection
- Current rating 0.5 amp
- Reliable latching mechanism

145

TS-0397-05
Sheet 1 of 4

Physical

Insulation

Material: Glass Reinforced Polyester (PBT)
Flammability: UL 94V-0
Color: Beige and Gray

Contact

Material: Beryllium Copper (C172)
Plating
Underplate: 80 μ " (2.54 μ m) Nickel — QQ-N-290, Class 2
Wiping Area: 20 μ " (0.5 μ m) Gold — MIL-G-45204, Type II, Grade C
Plating: Nickel

Shell

Material: Aluminum
Marking: 3M Logo and Part Identification Number

Electrical

Current Rating: .5 A
Insulation Resistance: 500 M Ω
Withstanding Voltage: 10 Vrms at Sea Level

Environmental

Temperature Rating: -55°C to +85°C

3M Electronic Products Division

6801 River Place Blvd.
Austin, TX 78726-9000

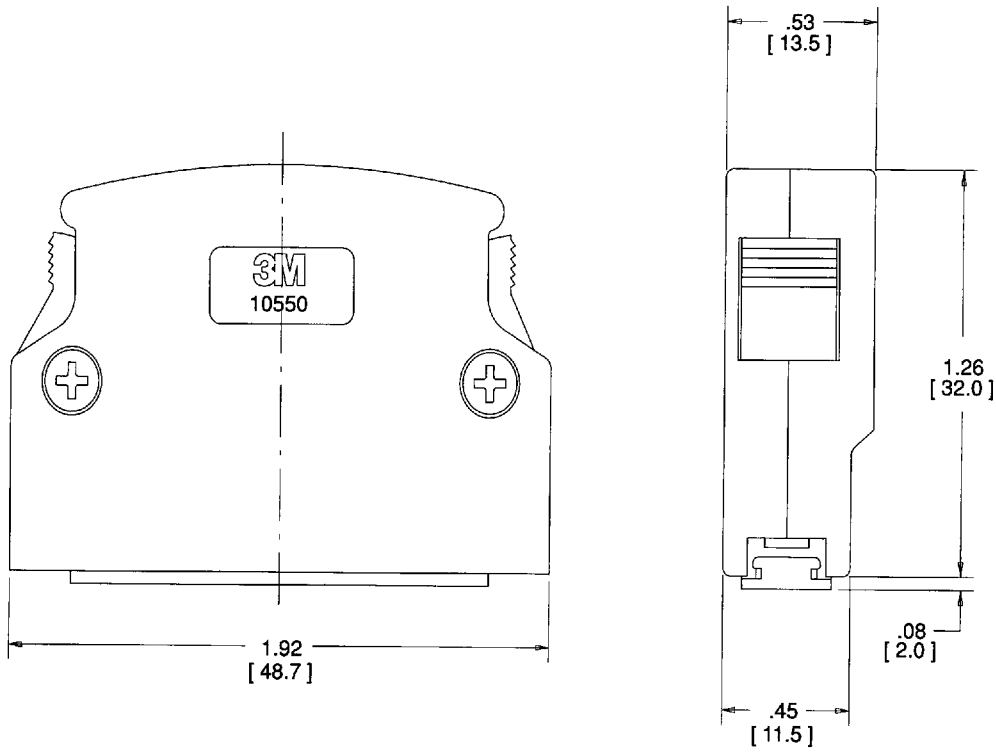
9005413 0000401 65T

Mini D Ribbon Connectors

.050" Terminator

10550-0001-00X Series

Sheet 2 of 4



TS-0397-05

Inch
[mm]

Tolerance Unless Noted			
	.0	.00	.000
Inch	±.1	±.01	±.005

[] Dimensions for Reference Only

Ordering Information

10550-0001-00X

Contact Qty

Color

0 = Beige
3 = Gray

3M Electronic Products Division

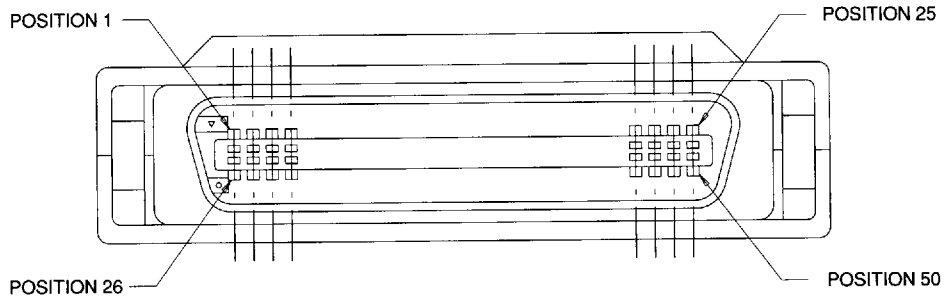
6801 River Place Blvd.
Austin, TX 78726-9000

9005413 0000402 596

Mini D Ribbon Connectors

.050" Terminator

10550-0001-00X Series



Sheet 3 of 4

1	G	-DB (0)	26
2	G	-DB (1)	27
3	G	-DB (2)	28
4	G	-DB (3)	29
5	G	-DB (4)	30
6	G	-DB (5)	31
7	G	-DB (6)	32
8	G	-DB (7)	33
9	G	-DB (P)	34
10	G	G	35
11	G	G	36
12	G	G	37
13	OPEN	VCC	38
14	G	G	39
15	G	G	40
16	G	-ATN	41
17	G	G	42
18	G	-BSY	43
19	G	-ACK	44
20	G	-RST	45
21	G	-MSG	46
22	G	-SEL	47
23	G	-C/D	48
24	G	-REQ	49
25	G	-I/O	50

SIGNAL - VCC	136.9 $\Omega \pm 10\%$
SIGNAL - GND	143.0 $\Omega \pm 10\%$

CONTACT PIN-OUT

TS-0397-05

3M Electronic Products Division

6801 River Place Blvd.
Austin, TX 78726-9000

9005413 0000403 422

Mini D Ribbon Connectors

.050" Terminator

10550-0001-00X Series

Sheet 4 of 4

TS-0397-05

