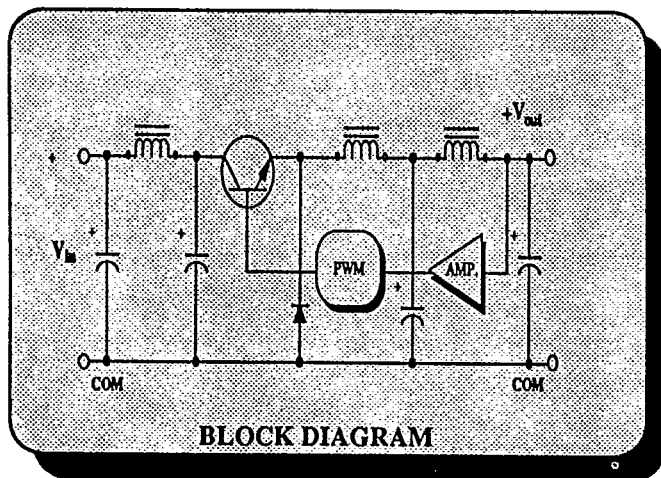
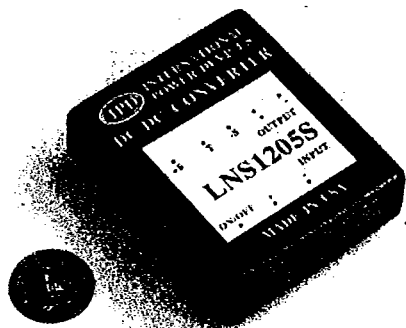




20 to 45 WATT

T-57-11

LNS SERIES



BLOCK DIAGRAM

FEATURES:

- HIGH EFFICIENCY
- SIX-SIDED SHIELDING
- UP TO 7 WATT/CU-IN POWER DENSITY
- WIDE INPUT VOLTAGE RANGE

APPLICATIONS:

- BATTERY OPERATED EQUIPMENT
- TELECOMMUNICATIONS
- PROCESS CONTROL EQUIPMENT
- TRANSPORTATION

The LNS Series is a line of high performance, high efficiency, non-isolated, single output, Pulse Width Modulated (PWM) DC/DC converters encapsulated in a metal case with six-sided EMI/RFI shielding. By using state of the art technology, all models operate at 70KHz highly efficiently and virtually independent of load & line. The LNS Series also features an internal π (Pi) input filter to minimize reflected input ripple current. A long term short circuit protection is provided and the output is clamped for overvoltage protection. Output voltage is trimmable to $\pm 10\%$.

ELECTRICAL SPECIFICATIONS

All Specifications Typical @+25°C, Nominal Line and Full Load unless Otherwise Noted.

INPUT SPECIFICATIONS

Input Voltage Range See Table
 Input Filter π (Pi) Filter
 Remote ON/OFF Control Reference to Minus Input
 Logic Compatibility TTL, CMOS, and Relay
 On-Control Input 1.8.VDC min. to 40 VDC max.
 Off-Control Input 0 to 1.2 VDC max.

OUTPUT SPECIFICATIONS

Output Voltage See Table
 Output Current See Table
 Output Trim $\pm 10\%$
 Ripple and Noise:

LNS Series: 20MHz BW 10 mVRMS, max.
 20 MHz BW 50 mVp-p, max.

Average Voltage Temp. Coefficient $\pm 0.01\%/^{\circ}\text{C}$, max.
 Voltage Stability, 24 Hours $\pm 0.2\%$, max.
 Short Circuit Current Limit 120% of Rated Output
 Short Circuit Restart Automatic

Overvoltage Protection, Internal Clamp:

5VDC Output 6.8VDC
 12VDC Output 15VDC
 15VDC Output 18VDC

GENERAL SPECIFICATIONS

Efficiency, FL See Table
 Isolation Not Galvanically Isolated
 (Minus Input Connected to Minus Output)
 Switching Frequency : 70 KHz, typ.

ENVIRONMENTAL SPECIFICATIONS

Operating Temperature Range: -25°C to $+71^{\circ}\text{C}$
 Derating None
 Storage Temperature Range -40°C to $+125^{\circ}\text{C}$
 Surface Temp. Rise Above Ambient $10^{\circ}\text{C}/\text{Watt Diss.}$
 Cooling Free-Air Convection
 EMI/RFI Six-Sided Continuous Metal Case

PHYSICAL SPECIFICATIONS

Dimensions 2.56 x 3.0 x .83 inches
 (65.0 x 76.2 x 21.1 mm)
 Weight 5.5 Oz. (169 g.)
 Case Material Black Coated Copper
 (With Non-Conductive Seating Surface)

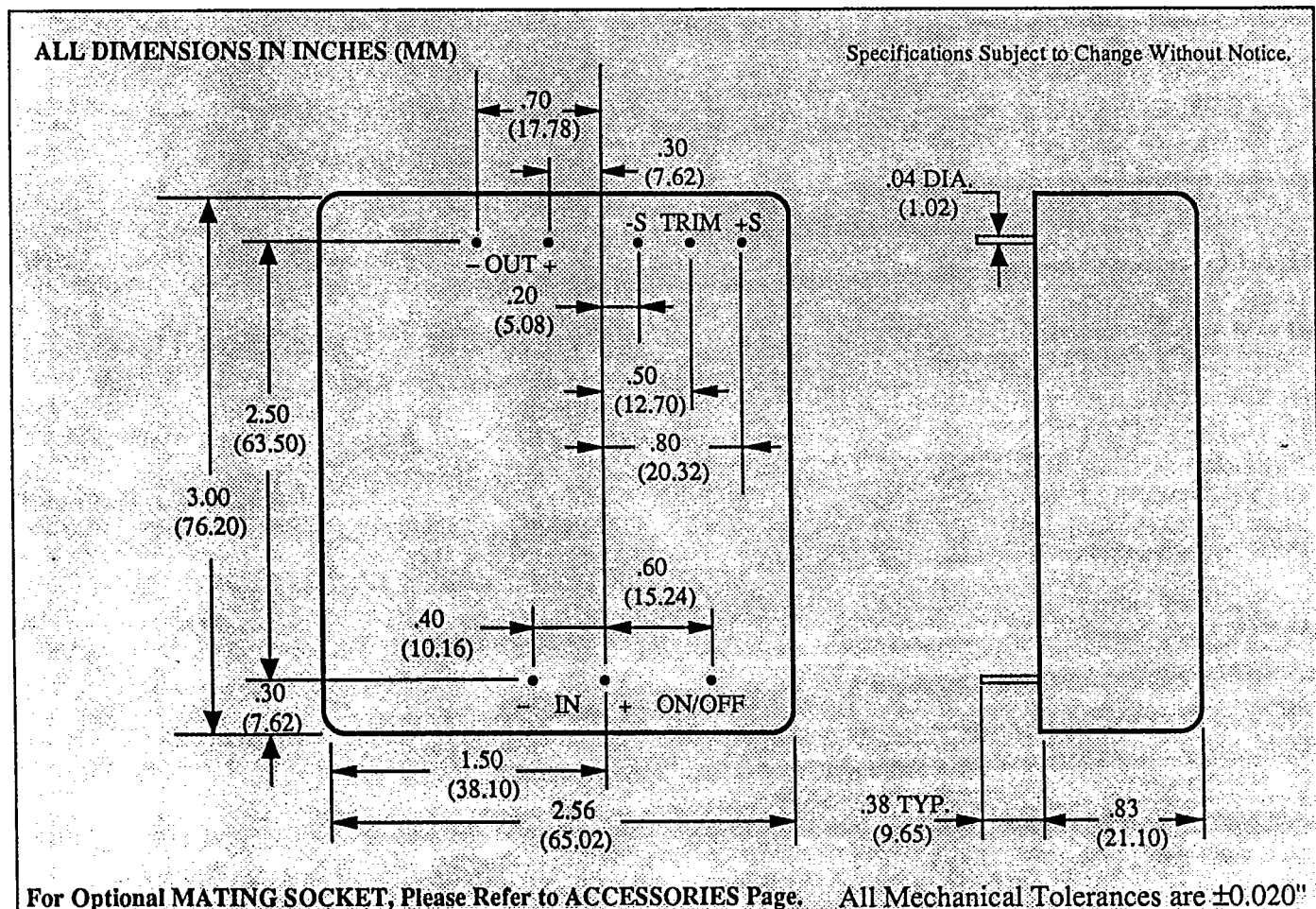
SINGLE OUTPUT

INTERNATIONAL
POWER DEVICES



INPUT VOLTAGE	OUTPUT VOLTAGE	OUTPUT CURRENT	INPUT CURRENT		% EFF	REGULATION		MODEL NUMBER
			NO/LOAD	FULL/LOAD		LINE	LOAD	
9-40	5VDC	4000mA	20mA	2130mA	78	±2%	±2%	LNS1205
9-40	5VDC	4000mA	20mA	2250mA	78	±2%	±2%	LNS1205S*
16-40	12VDC	3000mA	20mA	1724mA	85	±2%	±2%	LNS2412
16-40	12VDC	3000mA	20mA	1724mA	85	±2%	±2%	LNS2412S*
19-40	15VDC	3000mA	20mA	2110mA	87	±2%	±2%	LNS2415
19-40	15VDC	3000mA	20mA	2140mA	87	±2%	±2%	LNS2415S*

* Model Numbers Ending in "S" Provide Remote Control Input.



For Optional MATING SOCKET, Please Refer to ACCESSORIES Page. All Mechanical Tolerances are ±0.020"