


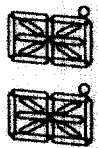


LED DISPLAY

ALPHA-NUMERIC LED DISPLAYS

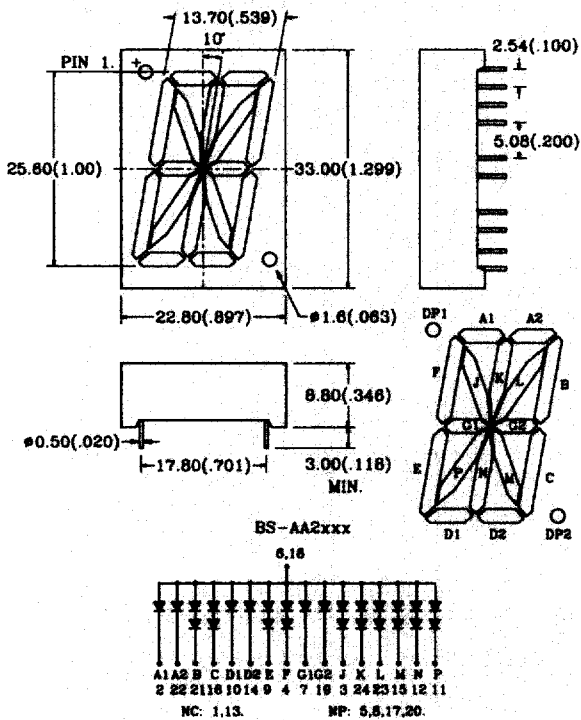
Digit Size	Part No.		Chip		Absolute Maximum Ratings					Electro-optical Data(At 10mA)		Drawing No.	
	Common Anode	Common Cathode	Emitted Color	Peak Wave Length λ (nm)	$\Delta\lambda$ (nm)	Pd (mW)	If (mA)	Peak If (mA)	Vf (V)		Iv Typ. Per Seg. (mcd)		
									Min.	Max.			
	1.00"	BS-AA21ND	BS-CA21ND	Red	655	40	180	40	200	1.6	4.0	2.5	AD-01
		BS-AA25ND	BS-CA25ND	Bright Red	700	90	90	15	50	2.1	5.0	3.5	
		BS-AA25NE	BS-CA25NE										
		BS-AA22ND	BS-CA22ND	Green	568	30	180	30	150	2.1	5.0	5.0	
		BS-AA23ND	BS-CA23ND	Yellow	585	35	180	30	150	2.0	5.0	4.0	
		BS-AA24ND	BS-CA24ND	Hi-Eff Red	635	45	180	30	150	1.9	5.0	5.0	
				Orange									
BS-AA26ND	BS-CA26ND	Super Red	660	20	110	20	150	1.7	5.0	10.0			
	2.00"	BS-AD31RD	BS-CD31RD	Red	655	40	450	40	200	3.2	8.0	4.0	AD-02
		BS-AD35RD	BS-CD35RD	Bright Red	700	90	210	15	50	4.2	10.0	6.0	
		BS-AD35RE	BS-CD35RE										
		BS-AD32RD	BS-CD32RD	Green	568	30	420	30	150	4.2	10.0	10.5	
		BS-AD33RD	BS-CD33RD	Yellow	585	35	420	30	150	4.0	10.0	7.5	
		BS-AD34RD	BS-CD34RD	Hi-Eff Red	635	45	420	30	150	3.8	10.0	8.5	
				Orange									
BS-AD36RD	BS-CD36RD	Super Red	660	20	280	20	150	3.4	10.0	15.0			
	2.30"	BS-AD21RD	BS-CD21RD	Red	655	40	280	40	200	3.2	5.0	5.0	AD-03
		BS-AD25RD	BS-CD25RD	Bright Red	700	90	100	15	50	4.2	5.0	8.0	
		BS-AD25RE	BS-CD25RE										
		BS-AD22RD	BS-CD22RD	Green	568	30	210	30	150	4.2	5.0	14.0	
		BS-AD23RD	BS-CD23RD	Yellow	585	35	420	30	150	4.0	5.0	11.0	
		BS-AD24RD	BS-CD24RD	Hi-Eff Red	635	45	420	30	150	3.8	5.0	12.0	
				Orange									
BS-AD26RD	BS-CD26RD	Super Red	660	20	280	20	150	3.4	5.0	18.0			
	0.54"	BD-E521RD	BD-F521RD	Red	655	40	180	40	200	1.6	2.0	0.5	AD-04
		BD-E525RD	BD-F525RD	Bright Red	700	90	90	15	50	2.1	2.5	1.2	
		BD-E525RE	BD-F525RE										
		BD-E522RD	BD-F522RD	Green	568	30	180	30	150	2.1	2.5	2.5	
		BD-E523RD	BD-F523RD	Yellow	585	35	180	30	150	2.0	2.5	2.0	
		BD-E524RD	BD-F524RD	Hi-Eff Red	635	45	180	30	150	1.9	2.5	2.5	
				Orange									
BD-E526RD	BD-F526RD	Super Red	660	20	110	20	150	1.7	2.5	6.0			

Remark: * The average luminous intensity is obtained by summing the luminous intensity of each segment and dividing by total number of segments.

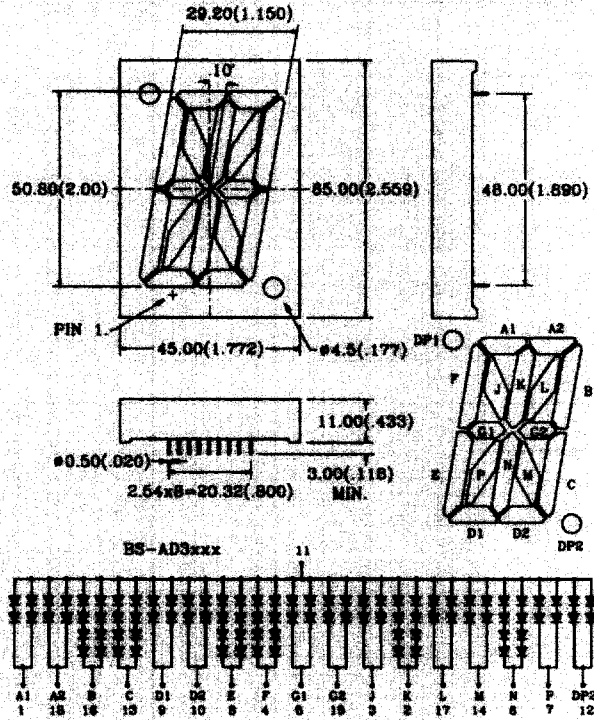
* Above part numbers are all with black surface and white segment. For part numbers with other surface and segment color combinations, please check the selection guide(part number system).

LED DISPLAY

AD-01 BS-AA2xxx Series



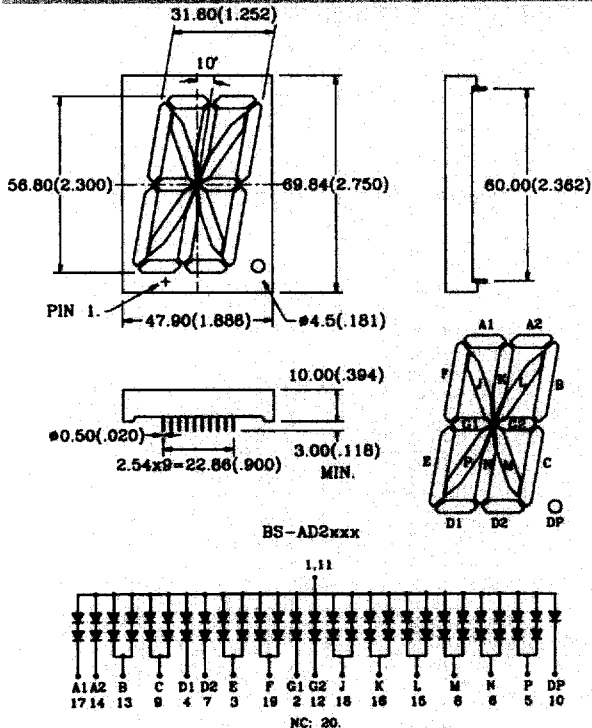
AD-02 BS-AD3xxx Series



PACKAGE DIMENSIONS

- NOTES
1. All Dimensions are in millimeters (inches).
 2. Tolerance is $\pm 0.25\text{mm}$ (.010") unless otherwise specified.
 3. Specifications are subject to change without notice.
 4. NP: No Pin.
 5. NC: No Connect.

AD-03 BS-AD2xxx Series



AD-04 BD-E52xxx Series

