

Ordering Information:

2075 S 0 * B * * *
 1 2 3 4 5 6 7 8

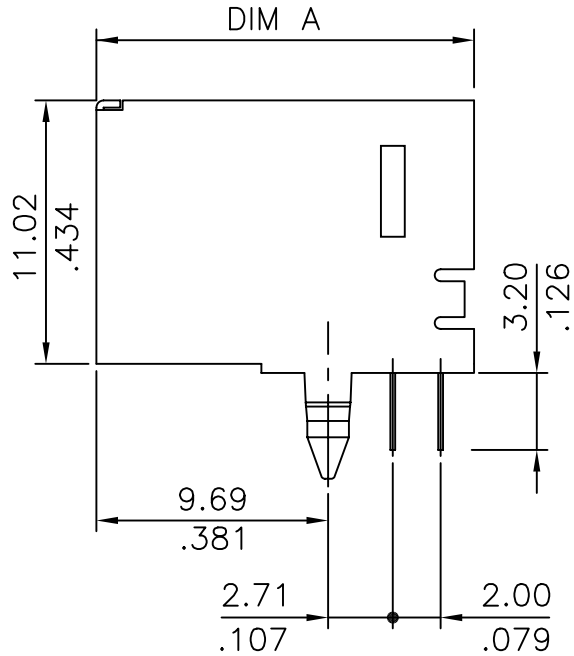
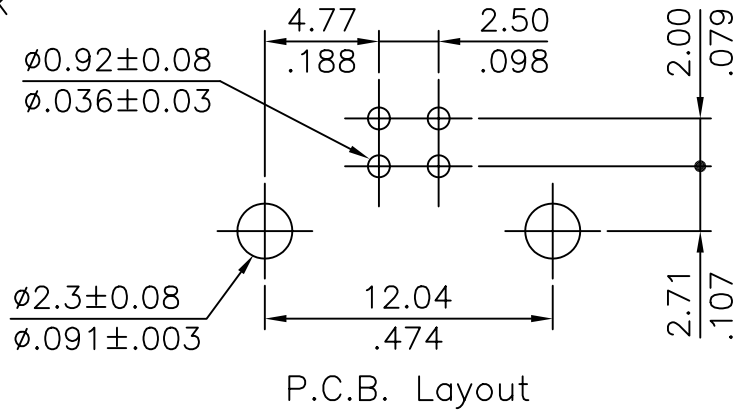
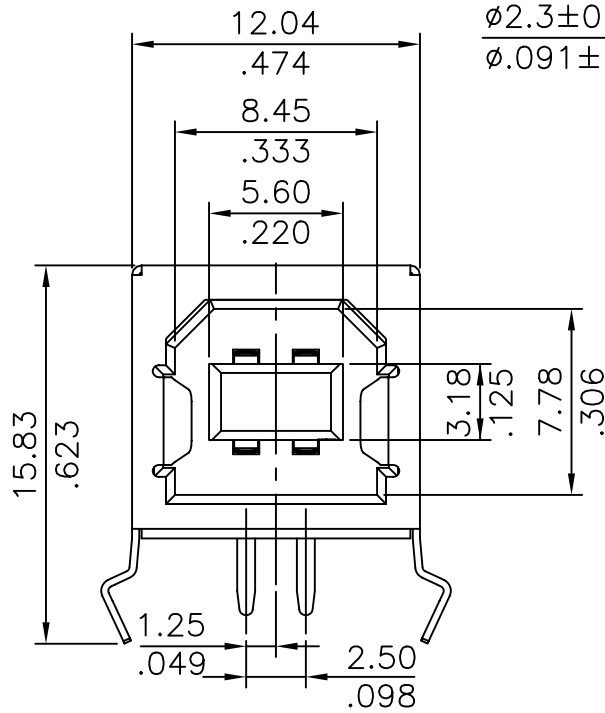
1. Series No.
2. S: Socket
3. 0: Single stack
4. Plating:
 F= Selective gold flash over 50μ" nickel
 R= Selective gold flash over 30μ" palladium/
 nickel over 50μ" nickel
 K= Selective 30μ" gold plated over 50μ" nickel
5. B: B type
6. Options
 0: H Type
 1: H Type+Rear shell
7. Color: 0: Beige 1: Black 2: White
8. L: LEOCO MARK M: NO MARK

2075S0*B0** DIM A= $\frac{15.80}{.622}$

2075S0*B1** DIM A= $\frac{16.10}{.634}$

Material:

- * Insulator: PBT UL94V-0
- * Contactor: Phosphor Bronze
- * Shell,Cover: Phosphor Bronze



J	E010143	NICK		LEOCO CORPORATION	APPROVED BY:	PARTS NO.: 2075S0*B***					
I	E010052	NICK			GENERAL TOLERANCE	CHECKED BY:	TITLE: USB B connector				
H	E000210	NICK		X. ±	X' ± 2°	DRAW BY:	DRAWING NO.: 207504S				
G	E000084	NICK		.X ± $\frac{0.30}{.012}$.X' ± 1°			UNITS	SCALE	SIZE	SHEET
F	E990130	NICK		.XX ± $\frac{0.20}{.008}$.XX' ± 0.5°	mm		3:1	A4	1/1	J
REV.	ECO. NO.	CHG	APPD.	.XXX ± $\frac{0.10}{.004}$.XXX' ± 0.1°	inch					