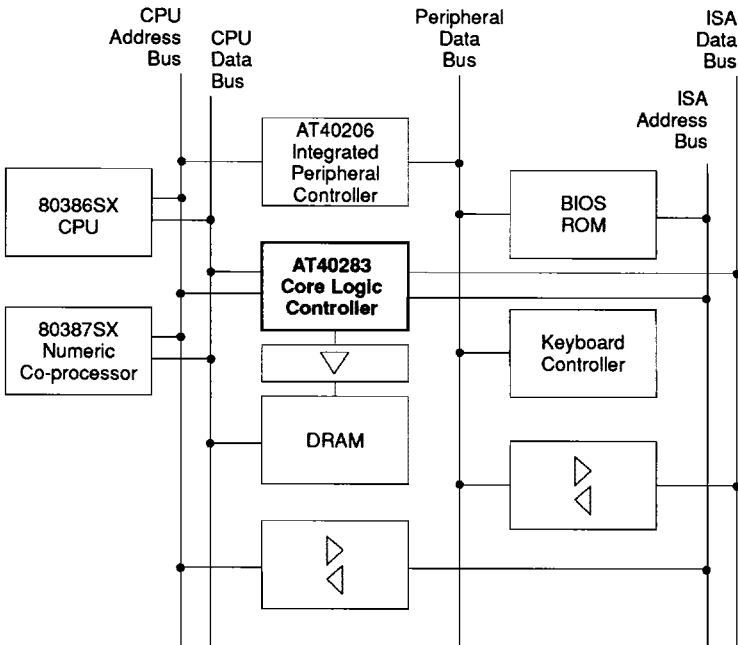


Features

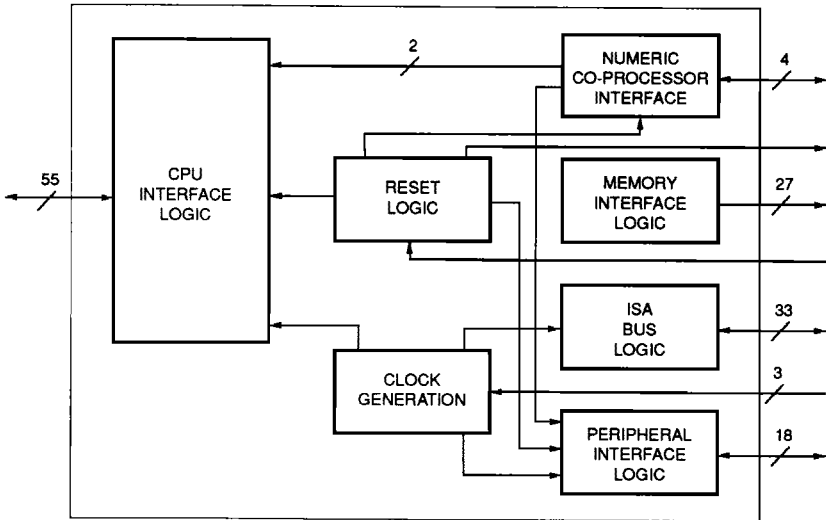
- One-Chip PC/AT Compatible Core Logic Controller for 80386SX Systems operating up to 33 MHz
- One 160-Pin Quad Flatpack, 1-Micron CMOS Technology
- CPU Interface and ISA Bus Control
- Numeric Co-processor Support
- OS/2 Alternate Hot Reset Support
- Programmable Clock Generator for the ISA Bus
- Port B Register and NMI Logic
- 256K, 1-Mbit and 4-Mbit DRAM Support
- Up to 16 Mbytes Platform Memory
- Shadow RAM Support
- Multiple Interleave Paging (MIP™) of Platform Memory

**386SX
Core Logic
Controller**

System Block Diagram



Core Logic Controller Block Diagram





Ordering Information

| CPU Clock (MHz) | Power Supply | Ordering Code | Package | Operation Range |
|-----------------|--------------|---------------|---------|-------------------------|
| 16 | 5V±5% | AT40283-16 | 160Q | Commercial (0° to 70°C) |
| 20 | 5V±5% | AT40283-20 | 160Q | Commercial (0° to 70°C) |
| 25 | 5V±5% | AT40283-25 | 160Q | Commercial (0° to 70°C) |
| 33 | 5V±5% | AT40283-33 | 160Q | Commercial (0° to 70°C) |

| Package Type | |
|--------------|--|
| 160Q | 160 Lead, Plastic Gull Wing Quad Flat Package (Flatpack) |