



# PCS Panel Antenna



## Features

- Weatherproof Design
- Built-in Lightning Protection
- One-Piece Circuit Construction
- No Dissimilar Metals
- Minimum Intermodulation
- Corrosion Resistant
- Low Wind Load Design

## Description

The ANDA-C-104 PCSD Panel Antenna is an array of vertically polarized dipole elements spaced over a reflective ground plane.

The array has been designed for high reliability and long service life. This design provides high gain and efficiency, ultra-low intermodulation, and all-weather operation. The design and construction minimize both weight and wind loading.

The panel antenna is supplied with the standard band-clamp mounting kit suitable for use on structural members up to 6 inches (152 mm) in diameter. An optional mechanical downtilt bracket is available allowing up to 18° of calibrated adjustment range.

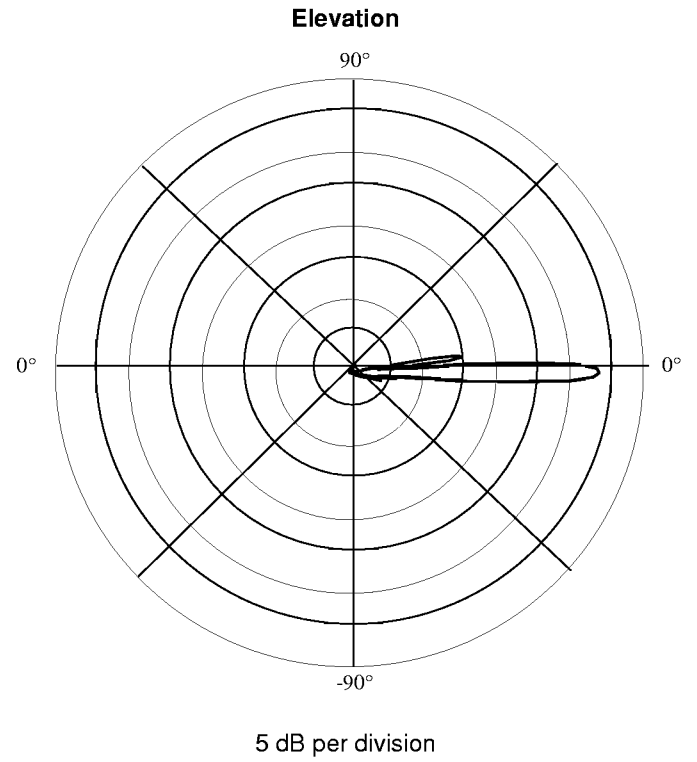
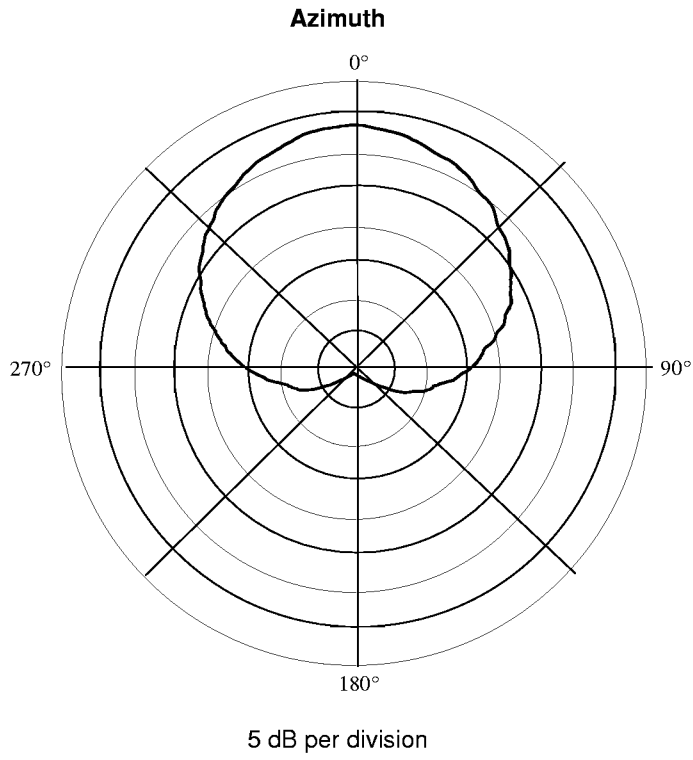
## Specifications

Polarization	Linear Vertical
Frequency	1850-1900 MHz
Gain, Zenith	+17 dBi
3 dB Beamwidth	90° Az, Nom. 5° El, Nom.
Electrical Downtilt	0° Nom.
VSWR	1.5:1 Maximum
Temperature	-31° F to 158° F (-35° C to 70° C)
Weight:	10.9 lbs. Max (4.95 kg)
Connector	7/16 DIN F or Type N (optional)
Power	100 Watts Average
Radome Color	Natural — UV stable



V4.00





**Outline Drawing**

