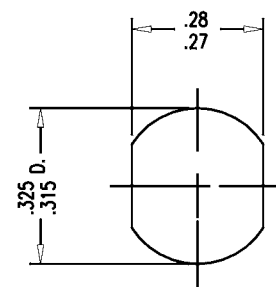
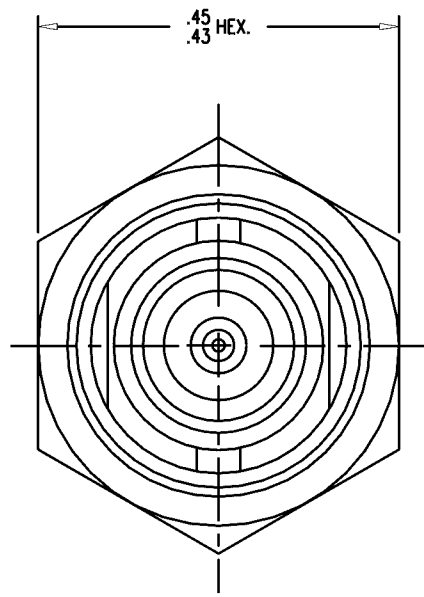
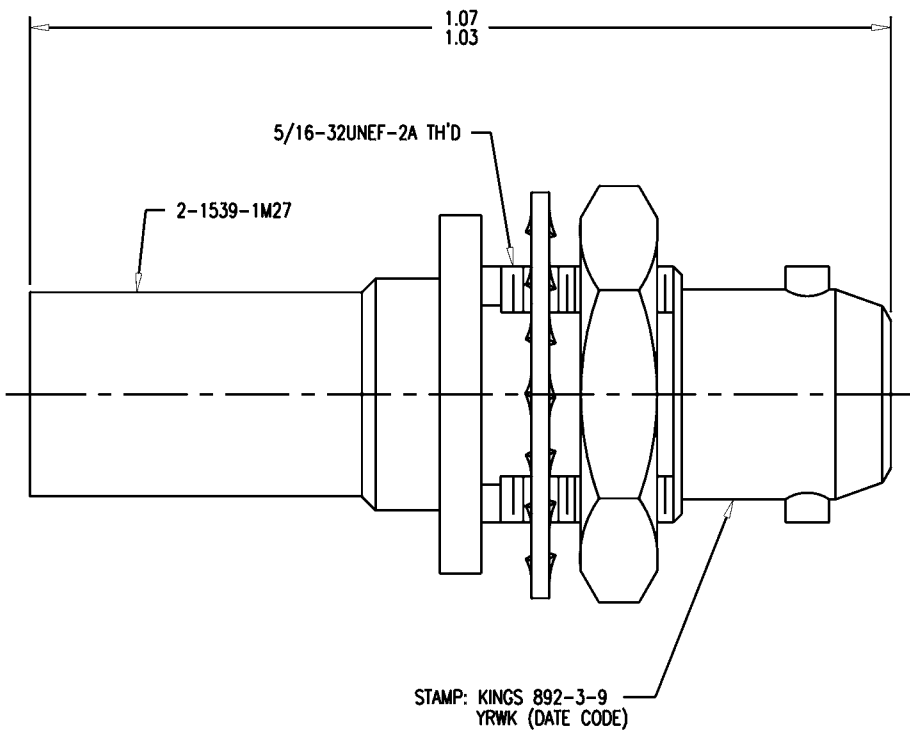


GSD

892-3-9



MOUNTING HOLE

REVISIONS

ISSUE	CHANGES
1	ADD LOCK WIRE HOLES KH 04/26/94
2	ER 35918 MJB 11/29/94
3	CN 38337 E TML 06/25/01

WAS: KAM3598 89239S

SCALE 6:1

APPROX SURFACE AREA

WAS: E-18632

USED ON

REF: BOEING

JACK, BULKHEAD, KM

DRAWN KH DATE 03/21/94

DESIGN JT DATE 03/22/94

APPR. DATE

KINGS
ELECTRONICS CO., INC.
ROCK HILL, SOUTH CAROLINA 29730

892-3-9

GSD

- NOTES:
- FOR USE WITH BOEING S280W503-2 & ADAMS RUSSELL FC14Z CABLES.
 - FOR CABLING INSTRUCTIONS SEE 3-546-3.
 - FOR CRIMPING USE DIE KTH-2232.
 - CENTER CONTACT (1-6780-2MA9) SUPPLIED UNASSEMBLED.
 - FOR USE WITH .093 MAX. PANEL.
 - MARK PACKAGE: KINGS 892-3-9
YRWK (DATE CODE)
 - MATERIALS:
INSULATOR: TEFLON, ASTM-D-4894
LOCKWASHER: PHOS. BRONZE, QQ-B-750
K-GRIP SLEEVE: COM. BRONZE, ASTM-B-140
ALL OTHER PARTS: BRASS, ASTM-B16
 - FINISHES:
CONTACT M: GOLD PLATE PER MIL-G-45204
ALL OTHER METAL PARTS: KINGS TARNISH RESISTANT NICKEL FINISH (TR-5)
 - ELECTRICAL CHARACTERISTICS:
VOLTAGE RATING: 500 VRMS
FREQUENCY RANGE: DC TO 500 MHz