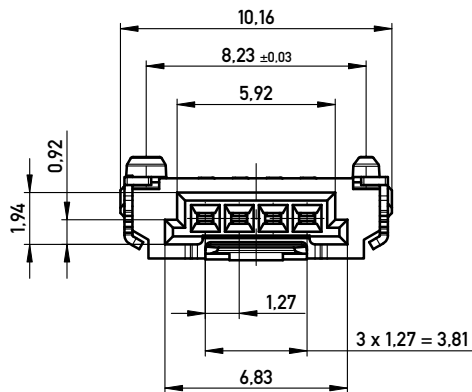
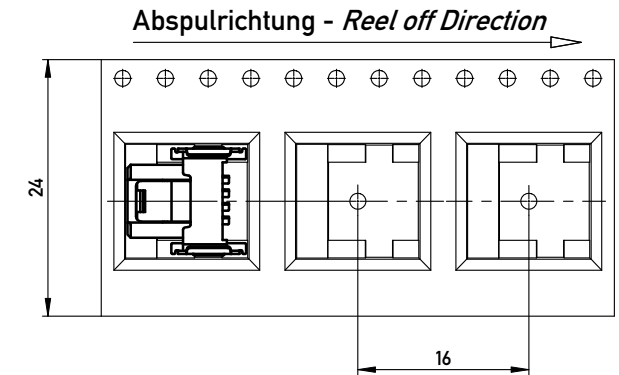
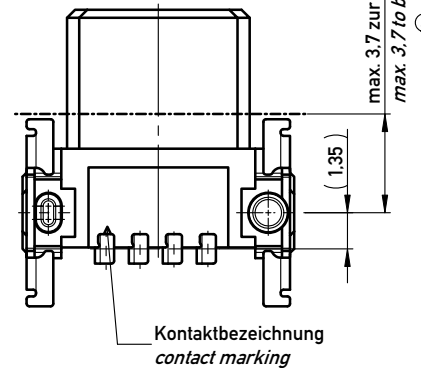
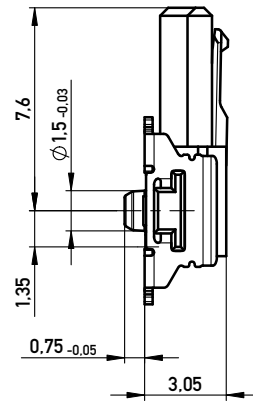
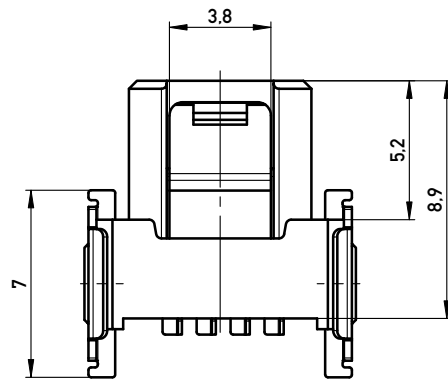
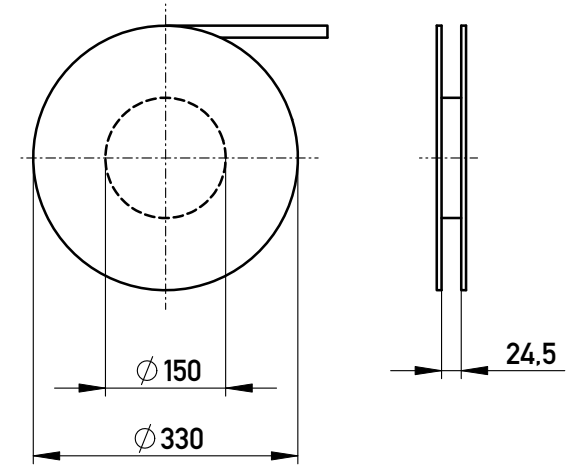
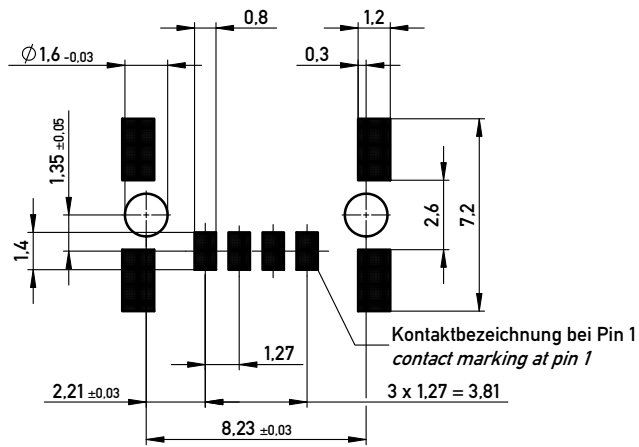


Leiterplatten-Layout Vorschlag für SMT
PCB-Layout Proposal for SMT

Verpackt in Gurtverpackung - Tape on Reel Packaging
Verpackungseinheit: 850 Stück - Packaging unit: 850 pcs





Anforderungsstufe 1
Performance Level 1

Kontaktbereich vergoldet
Mating Area gold plating

Anschlussbereich verzinkt 4-6 µm
Terminal Area 4-6 µm tin plating

Koplanarität der Anschlüsse ≤ 0,1 mm
Coplanarity Area of Termination ≤ 0,1 mm

Copyright by ERNI GmbH
Proprietary notice pursuant to ISO 16016 to be observed.

Information: ohne Hilfsmittel lösbar without tool unlockable Bauteilfarbe: weiß - component color: white		Tolerances  All Dimensions in mm	Scale 5:1	mit Verriegelung with locking mechanism	
All rights reserved. Only for Information. To ensure that this is the latest version of this drawing, please contact one of the ERNI companies before using.		Subject to modification without prior notice. Drawing will not be updated.		Designation 1,27 SRC P, 4-polig 1,27 SRC P, 4-pin	
 www.ERNI.com		384975		I A3	
-	07.12.2009	Class SRCP			
Index	Date				