



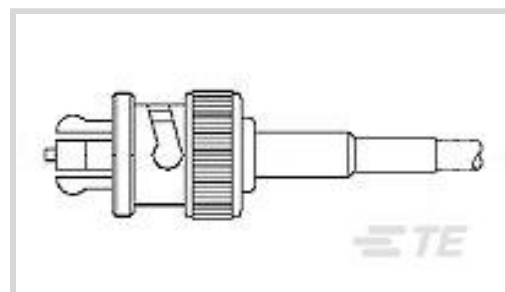
SHV

TE Part # 51426-8

TE Internal #: 51426-8

[View on TE.com >](#)

Connectors > RF & Coax Connectors > RF Connectors



RF Interface: **SHV**

RF Connector Style: **Plug**

RF Connector Mated Outer Diameter (Approximate): **14.529 mm [.572 in]**

Cable Type: **RG 174, RG 188, RG 188A, RG 316**

RF Connector Coupling Mechanism: **Bayonet**

Features

Product Type Features

RF Interface	SHV
RF Connector Style	Plug
Connector System	Cable-to-Board
Sealable	Yes
Connector & Contact Terminates To	Wire & Cable
Connector Seal Type	Gasket

Configuration Features

Port Configuration	Single Port
Number of Positions	1
Number of Coaxial Contacts	1

Body Features

Cable Connector Orientation	Straight
Body Material	Brass
Body Finish	Bright
Body Plating Material	Nickel

Contact Features

Crimp Type	Dual
RF Connector Center Contact Plating Material	Gold
RF Connector Center Contact Material	Beryllium Copper

Termination Features

Termination Method to Wire & Cable	Crimp
------------------------------------	-------

Mechanical Attachment

RF Connector Coupling Mechanism	Bayonet
Connector Mounting Type	Cable Mount (Free-Hanging)
RF Contact Captivation Method	Mechanical
Detent	With

Dimensions

RF Connector Mated Outer Diameter (Approximate)	14.529 mm[.572 in]
---	--------------------

Usage Conditions

Cable Type	RG 174, RG 188, RG 188A, RG 316
Operating Temperature Range	-55 – 155 °C[-67 – 311 °F]

Operation/Application

Operating Frequency	.3 GHz
---------------------	--------

Packaging Features

Packaging Method	Carton
------------------	--------

Other

Dielectric Material	PTFE
---------------------	------

Product Compliance

[For compliance documentation, visit the product page on TE.com>](#)

EU RoHS Directive 2011/65/EU	Compliant with Exemptions
EU ELV Directive 2000/53/EC	Compliant with Exemptions
China RoHS 2 Directive MIIT Order No 32, 2016	Restricted Materials Above Threshold
EU REACH Regulation (EC) No. 1907/2006	Current ECHA Candidate List: JAN 2019 (197) Candidate List Declared Against: JUL 2017 (174)
Halogen Content	Not Yet Reviewed for halogen content
Solder Process Capability	Not applicable for solder process capability

Product Compliance Disclaimer

This information is provided based on reasonable inquiry of our suppliers and represents our current actual knowledge based on the information they provided. This information is subject to change. The part numbers that TE has identified as EU RoHS compliant have a maximum concentration of 0.1% by weight in homogenous materials for lead, hexavalent

chromium, mercury, PBB, PBDE, DBP, BBP, DEHP, DIBP, and 0.01% for cadmium, or qualify for an exemption to these limits as defined in the Annexes of Directive 2011/65/EU (RoHS2). Finished electrical and electronic equipment products will be CE marked as required by Directive 2011/65/EU. Components may not be CE marked. Additionally, the part numbers that TE has identified as EU ELV compliant have a maximum concentration of 0.1% by weight in homogenous materials for lead, hexavalent chromium, and mercury, and 0.01% for cadmium, or qualify for an exemption to these limits as defined in the Annexes of Directive 2000/53/EC (ELV). Regarding the REACH Regulations, TE's information on SVHC in articles for this part number is still based on the European Chemical Agency (ECHA) 'Guidance on requirements for substances in articles' (Version: 2, April 2011), applying the 0.1% weight on weight concentration threshold at the finished product level. TE is aware of the European Court of Justice ruling of September 10th, 2015 also known as O5A (Once An Article Always An Article) stating that, in case of 'complex object', the threshold for a SVHC must be applied to both the product as a whole and simultaneously to each of the articles forming part of its composition. TE has evaluated this ruling based on the new ECHA "Guidance on requirements for substances in articles" (June 2017, version 4.0) and will be updating its statements accordingly.

Compatible Parts

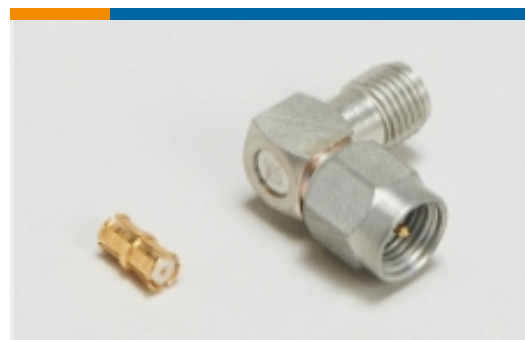


Portable Crimp Tools(1)

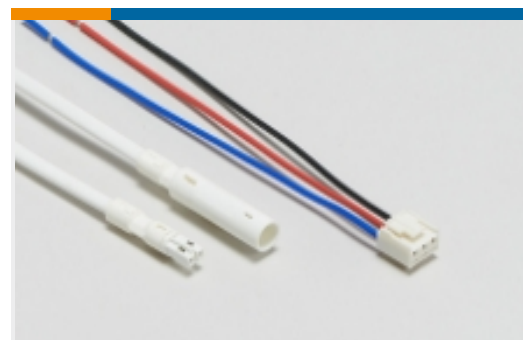


RF Connectors(15)

Also in the Series | SHV



In-Series Adapters(1)



Power Cable Assemblies(2)



RF Connectors(17)

Customers Also Bought



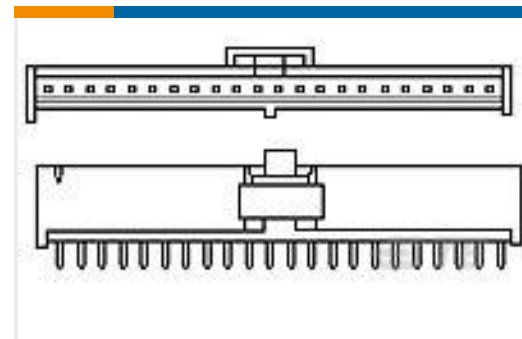
TE Part #88619-2
FFC FIXED JACKSCREW
KIT



TE Part #88617-2
FFC FIXED JACKSCREW
KIT



TE Part #88618-2
FFC TURNABLE
JACKSCREW KIT



TE Part #1-1888291-7
FPH-1221G=FLXPAC HDR
P 12 ST LF



Documents

Product Drawings

SAFE HIGH VOLTAGE PLUG

English

CAD Files

Customer View Model

[ENG_CVM_51426-8_P.3d_igs.zip](#)

English

Customer View Model

[ENG_CVM_51426-8_P.3d_stp.zip](#)

English

Customer View Model

[ENG_CVM_51426-8_P.2d_dxf.zip](#)

English

3D PDF

English

Product Specifications

Coaxial High Voltage Connectors

English

Application Specification

English

Instruction Sheets

Instruction Sheet (U.S.)

English

Standard High Voltage (SHV) COAXICON Plug Connectors 51426-() (Dual Crimp Type)

English

Agency Approvals

UL Report

English