

Micro- Miniature Rotary Selector Switch

Series
13M

Indexing
30°

30°, 1 Pole/Deck
12 Positions
30°, 2 Poles/Deck
6 Positions
30°, 3 Poles/Deck
4 Positions

Military
Qualified
to MIL-S-3786/13
and listed on QPL

Switches feature totally enclosed, explosion-proof, unitized construction.

⑦ Electrical Rating: Continuous 8 Amps at 28 v.d.c.
make and break .25 amp res. @ 115 v.a.c.
(10,000 cycles) .25 amp res. @ 28 v.d.c.
.12 amp ind. @ 28 v.d.c.

⑥ Dielectric strength: 500 VRMS.

⑤ Each switch will be provided with two
hexagon nuts. .312±.010 across flats and
.062±.010 thick, and one internal tooth
lockwasher .415 max. O.D.

④ Stop strength: 12 in. lbs. min.

NOTES:

③ 1 Pole/Deck, 12 position switches will
be continuous rotation. All other
switches will have stops.

② Identify switches per MIL-S-3786, part no.
(Ref.) 3786/13-0102. If MIL part no.
is not specified, identify switches with:
SR-13-E-30C-3-HPC

Angle of throw
"E" or "F" construction.

① All switches represented by this drawing
conform to MIL-S-3786/13; Temp life
characteristic "C", vibration grade "3",
shock "H", and altitude "C".

P/N CODE:

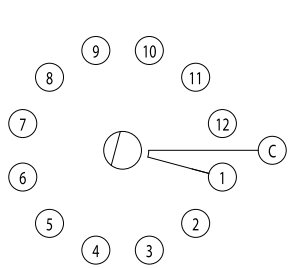
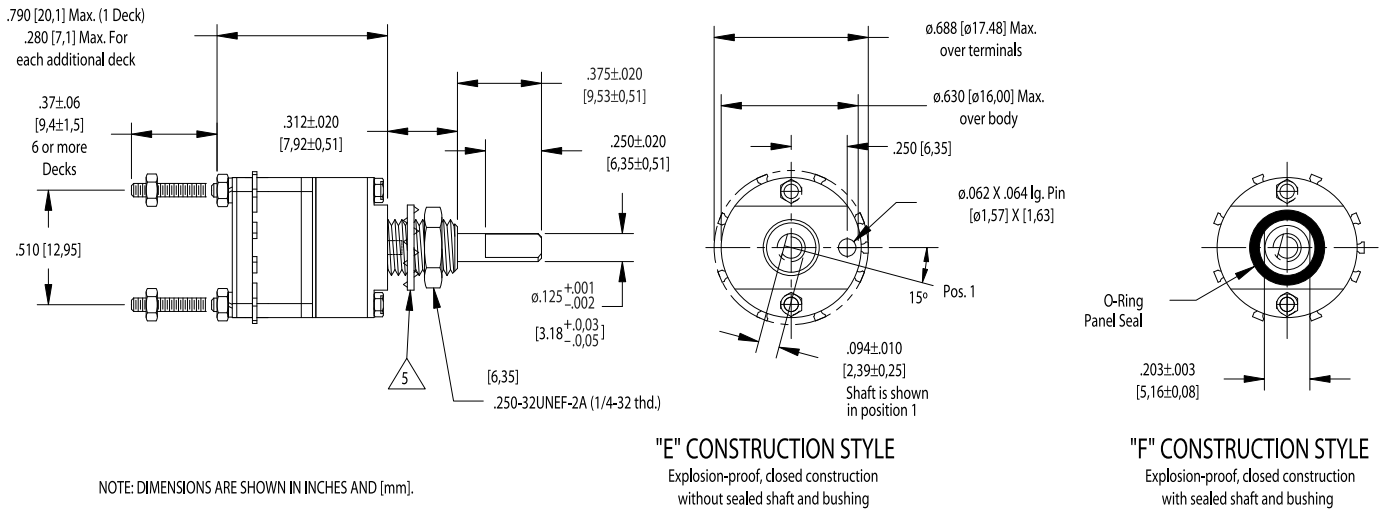
13M L 30 E B 1 - 5 N 12 C F

HOW TO ORDER

ADD FOR FLUX PROOFING
ADD FOR CONTINUOUS ROTATION (1 POLE/ DECK ONLY)③
NO. OF POSITIONS
S = SHORTING CONTACTS
N = NON-SHORTING CONTACTS
NO. OF DECKS (12 MAX.)
NO. OF POLES PER DECK
(3 POLES MAX. FOR 30°, 2 POLES MAX.)
INDICATES TEMP. LIFE "B", OMIT FOR TEMP LIFE "C".
CONSTRUCTION STYLE "E" OR "F".
INDICATES DEGREE OR INDEX
ADD "L" FOR LOW LEVEL
JANCO BASIC PART NO.

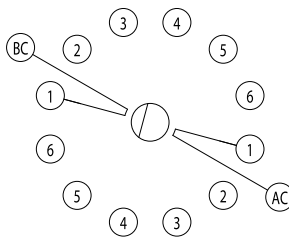
If unable to use standard code, contact factory for UNIQUE PART NO.

3111 Winona Avenue Burbank, California 91504 Phone: (818)846-1800 FAX: (818)842-3396



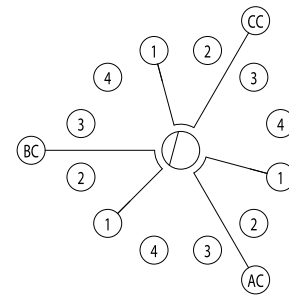
1 POLE PER DECK
2-12 POSITIONS

1 POLE



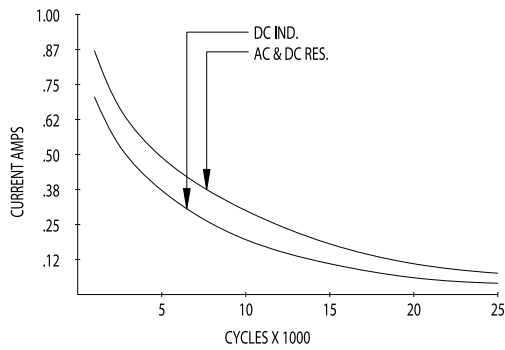
2 POLES PER DECK
2-6 POSITIONS

2 POLES



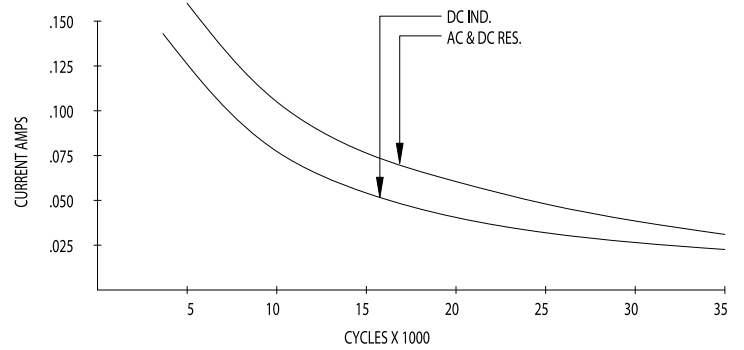
3 POLES PER DECK
2-4 POSITIONS

3 POLES



Life Expectancy Curve - Standard Ratings

CONTACT RESISTANCE: .005 ohms initially - .020 ohms after life
 INSULATION RESISTANCE: 100,000 megohms initially
 10,000 megohms after life
 DIELECTRIC STRENGTH: 750 vrms initially - 500 vrms after life



Life Expectancy curve - Low Level

Janco low level switches are designed to have an initial contact resistance less than .003 ohms, and less than .010 ohms during life. If a current rating greater than .15 amp is required use standard rating.