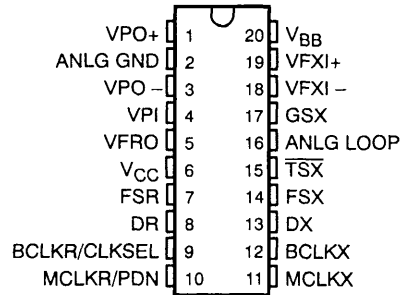


TP3064B, TP3067B, TP13064B, TP13067B MONOLITHIC SERIAL INTERFACE COMBINED PCM CODEC AND FILTER

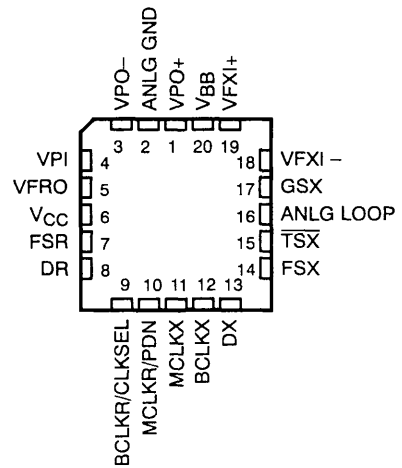
D3506, MAY 1990—REVISED DECEMBER 1990

- Complete PCM CODEC and Filtering System Including:
 - Transmit High-Pass and Low-Pass Filtering
 - Receive Low-Pass Filter with Sin x/x Correction
 - Active RC Noise Filters
 - μ -Law or A-Law Compatible Coder and Decoder
 - Internal Precision Voltage Reference
 - Serial I/O Interface
 - Internal Auto-Zero Circuitry
- μ -Law – TP13064B and TP3064B
- A-Law – TP13067B and TP3067B
- Meets or Exceeds All D3/D4 Channel Bank Transmission and CCITT G.711 Specifications
- ± 5 -V Operation
- Low Operating Power – Typically 70 mW
- Power-Down Standby Mode – Typically 3 mW
- Automatic Power Down
- TTL- or CMOS-Compatible Digital Interface
- Maximizes Line Interface Card Circuit Density
- Improved Versions of National Semiconductor TP3064, TP3067, TP3064-X, and TP3067-X

DW, J, OR N PACKAGE
(TOP VIEW)



FN PACKAGE
(TOP VIEW)



description

The TP3064B, TP3067B, TP13064B, and TP13067B are comprised of a single-chip pulse-code modulated encoder and decoder (PCM CODEC) and PCM line filter. These devices provide all the functions required to interface a full-duplex (2-wire) voice telephone circuit with a time-division-multiplexed (TDM) system. These devices are pin-for-pin compatible with the National Semiconductor TP3064 and TP3067, respectively. Primary application include:

- Line interface for digital transmission and switching of T1 carrier, PABX, and central office telephone systems
- Subscriber line concentrators
- Digital encryption systems
- Digital voice band data storage
- Digital signal processing



Caution. These devices have limited built-in gate protection. The leads should be shorted together or the device placed in conductive foam during storage or handling to prevent electrostatic damage to the CMOS gates.

PRODUCTION DATA documents contain information current as of publication date. Products conform to specifications per the terms of Texas Instruments standard warranty. Production processing does not necessarily include testing of all parameters.



POST OFFICE BOX 655303 • DALLAS, TEXAS 75265

Copyright © 1990, Texas Instruments Incorporated

2-363

TP3064B, TP3067B, TP13064B, TP13067B
MONOLITHIC SERIAL INTERFACE
COMBINED PCM CODEC AND FILTER

description (continued)

These devices are designed to perform the transmit encoding (A/D conversion) and receive decoding (D/A conversion) as well as the transmit and receive filtering functions in a pulse-code-modulated (PCM) system. They are intended to be used at the analog termination of a PCM line or trunk. The devices require two transmit and receive master clocks that may be asynchronous (1.536 MHz, 1.544 MHz, or 2.048 MHz), transmit and receive data clocks that are synchronous with the master clock (but can vary from 64 kHz to 2.048 MHz), and transmit and receive frame-sync pulses.

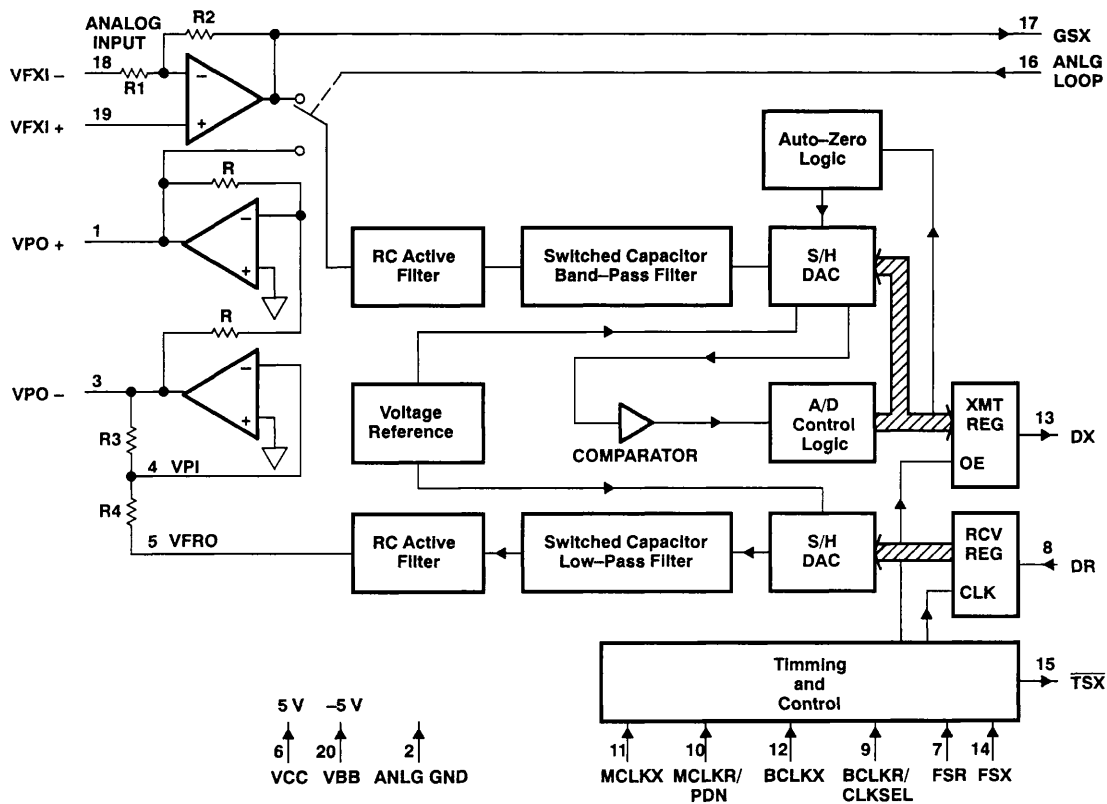
The TP3064B, TP3067B, TP13064B, and TP13067B provide the bandpass filtering of the analog signals prior to encoding and after decoding of voice and call progress tones.

The TP13064B and TP13067B are characterized for operation from -40°C to 85°C. The TP3064B and TP3067B are characterized for operation from 0°C to 70°C.

2

Telecommunications Circuits

functional block diagram



TP3064B, TP3067B, TP13064B, TP13067B
MONOLITHIC SERIAL INTERFACE
COMBINED PCM CODEC AND FILTER

Terminal Functions

NUMBER	PIN NAME	
1	VPO+	The noninverted output of the receive power amplifier.
2	GND	Analog ground. All signals are referenced to this pin.
3	VPO –	The inverted output of the receive power amplifier.
4	VPI	Inverting input to the receive power amplifier. Also powers down both amplifiers when connected to V _{BB} .
5	VFRO	Analog output of the receive filter.
6	V _{CC}	Positive power supply pin V _{CC} = 5 V ± 5%.
7	FSR	Receive frame sync pulse input that enables BCLKR to shift PCM data in RD. FSR is an 8-kHz pulse train. See Figures 1 and 2 for timing details.
8	DR	Receive data input. PCM data is shifted into DR following the FSR leading edge.
9	BCLKR/CLKSEL	The bit clock that shifts data into DR after the FSR leading edge. May vary from 64 kHz to 2.048 MHz. Alternatively, may be a logic input that selects either 1.536 MHz/1.544 MHz or 2.048 MHz for master clock in synchronous mode. BCLKX is used for both transmit and receive directions (see Table 1).
10	MCLKR/PDN	Receive master clock. Must be 1.536 MHz, 1.544 MHz, or 2.048 MHz. May be synchronous with MCLKX, but should be synchronous for best performance. When MCLKX is connected continuously low, MCLKX is selected for all internal timing. When MCLKX is connected continuously high, the device is powered down.
11	MCLKX	Transmit master clock. Must be 1.536 MHz, 1.544 MHz, or 2.048 MHz. May be asynchronous with MCLKR.
12	BCLKX	The bit clock that shifts out the PCM data on DX. May vary from 64 kHz to 2.048 MHz, but must be synchronous with MCLKX.
13	DX	The 3-state PCM data output that is enabled by FSX.
14	FSX	Transmit frame sync pulse that enables BCLKX to shift out the PCM data on DX. FSX is an 8-kHz pulse train (see Figures 1 and 2 for timing details).
15	TSX	Open-drain output that pulses low during the encoder time slot.
16	ANLG LOOP	Analog Loopback control input. Must be set to logic low for normal operation. When pulled to logic high, the transmit filter input is disconnected from the output of the transmit preamplifier and connected to the VPO+ output of the receive power amplifier.
17	GSX	Analog output of the transmit input amplifier. Used to externally set gain.
18	VFXI –	Inverting input of the transmit input amplifier.
19	VFXI+	Noninverting input of the transmit input amplifier.
20	V _{BB}	Negative power supply pin. V _{BB} = – 5 V ± 5%.

2

Telecommunications Circuits

power-up

Power-on reset circuitry initializes the TP13064B, TP3064B, TP13067B, and TP3067B when power is first applied and places it into the power-down mode. DX and VFRO outputs go into high-impedance states and all nonessential circuitry is disabled. A low level or clock applied to the MCLKR/PDN pin powers up the device and activates all circuits. DX, a three-state PCM data output, will remain in the high-impedance state until the arrival of the second FSX pulse.

synchronous operation

For synchronous operation, a clock is applied to the MCLKX pin, and MCLKX is used for both the transmit and receive direction. The MCLKR/PDN pin is also used as a power-down control; a low level on MCLKR powers up the device and a high level powers it down. In either case, MCLKX will be selected as the master clock for both receive and transmit direction. BCLKX must also have a bit clock applied to it. The selection of the proper internal divider for a master clock frequency of 1.536 MHz, 1.544 MHz, or 2.048 MHz can be done via BCLKR/CLKSEL. The device automatically compensates for the 193rd clock pulse of each frame.

TP3064B, TP3067B, TP13064B, TP13067B MONOLITHIC SERIAL INTERFACE COMBINED PCM CODEC AND FILTER

A fixed level on the BCLKR/CLKSEL pin will select BCLKX as the bit clock for both the transmit and receive directions. Table 1 indicates the frequencies of operation that can be selected depending on the state of BCLKX/CLKSEL. In the synchronous mode, BCLKLX may be in the range from 64 kHz to 2.048 MHz, but must be synchronous with MCLKX.

The encoding cycle begins with each FSX pulse and the PCM data from the previous cycle is shifted out of the enabled DX output on the rising edge of BCLKX. After eight-bit clock periods, the three-state DX output is returned to a high-impedance state. With an FSR pulse, PCM data is latched via the DR input on the falling edge of BCLKX (or BCLKR, if running). FSX and FSR must be synchronous with MCLKX and MCLKR.

2

asynchronous operation

For asynchronous operation, separate transmit and receive clocks may be applied. MCLKX and MCLKR must be 2.048 MHz for the TP3064B and TP13064B, 1.536 MHz or 1.544 MHz for the TP3067B and TP13067B and need not be synchronous. However, for best performance, MCLKR should be synchronous with MCLKX. This is easily achieved by applying only static logic levels to MCLKR/PDN. This will connect MCLKX to all internal MCLKR functions. For 1.544-MHz operation, the device will compensate for the 193rd clock pulse of each frame. Each encoding cycle is started with FSX, and FSX must be synchronous with MCLKX and BCLKX. Each decoding cycle is started with FSR and FSR must be synchronous with BCLKR. The logic levels shown in Table 1 are not valid in the asynchronous mode. BCLKX and BCLKR may operate from 64 kHz to 2.048 MHz.

short-frame sync operation

The device can operate with either a short- or a long-frame sync pulse. On power up, the device automatically goes into the short-frame mode where both FSX and FSR must be one bit-clock period long, with timing relationships specified in Figure 1. With FSX high during a falling edge of BCLKX, the next rising edge of BCLKX enables the three-state output buffer, DX, which outputs the sign bits. The remaining seven bits are clocked out on the following seven rising edges and the next falling edge disables the DX output. With FSR high during a falling edge of BCLKR (BCLKX in synchronous mode), the next falling edge of BCLKR latches in the seven remaining bits. The short-frame sync pulse may be utilized in either the synchronous or asynchronous mode.

Table 1. Selection of Master Clock Frequencies

BCLKR/CLKSEL	MASTER CLOCK FREQUENCY SELECTED	
	TP3064B, TP13064B	TP3067B, TP13067B
Clock Input	1.536 MHz or 1.544 MHz	2.048 MHz
Logic Input L (Sync mode only)	2.048 MHz	1.536 MHz or 1.544 MHz
Logic Input H (Open) (Sync mode only)	1.536 MHz or 1.544 MHz	2.048 MHz

long-frame sync operation

Both FSX and FSR must be 3 or more bit-clock periods long to use the long-frame sync mode with timing relationships as shown in Figure 2. Using the transmit frame sync (FSX), the device will detect whether a short- or long-frame sync pulse is being used. For 64-kHz operation, the frame-sync pulse must be kept low for a minimum of 160 ns. The rising edge of FSX enables the DX 3-state output buffer. The first bit clocked out is the

sign bit. The next 7 rising edges of BCLKX edges clock out the remaining 7 bits. The falling edge of BCLKX following the eighth rising edge or FSX going low, whichever occurs later, disables the DX output. A rising edge on FSR, the receive-frame sync pulse, will cause the PCM data at DR to be latched in on the next 8 falling edges of BCLKR (BCLKX in synchronous mode). The long-frame sync pulse may be used in either the synchronous or asynchronous mode.

transmit section

The transmit section input is an operational amplifier with provision for gain adjustment using two external resistors. Gains in excess of 20 dB across the audio passband are possible via low noise and wide bandwidth. The operational amplifier drives a unity-gain filter consisting of an RC active prefilter followed by an eight-order switched-capacitor bandpass filter clocked at 256 kHz. The output of this filter directly drives the encoder sample-and-hold circuit. As per μ -law (TP3064B and TP13064B) or A-law (TP3067B and TP13067B) coding conventions, the ADC is a companding type. A precision voltage reference provides a input overload of nominally 2.5-V peak. The sampling of the filter output is controlled by the FSX frame-sync pulse. Then the successive-approximation encoding cycle begins. The 8-bit code is loaded into a buffer and shifted out through DX at the next FSX pulse. The total encoding delay will be approximately 290 μ s. Any offset voltage due to the filters or comparator is cancelled by sign bit integration.

receive section

The receive section consists of an expanding DAC that drives a fifth-order low-pass filter clocked at 256 kHz. The decoder is μ -law (TP3064B and TP13064B) or A-law (TP3067B and TP13067B) and the fifth-order low-pass filter corrects for the $\sin x/x$ attenuation caused by the 8-kHz sample/hold. The filter is followed by a second-order RC active post-filter with its output at VFRO. The receive section is unity-gain but gain can be added by using the power amplifiers. At FSR, the data at the DR input is clocked in on the falling edge of the next eight BCLKR (BCLKX) periods. At the end of the decoder timeslot, the decoding cycle begins and 10 μ s later the decoder DAC output is updated. The decoder delay is about 10 μ s (decoder update) plus 110 μ s (filter delay) plus 62.5 μ s (1/2 frame) or a total of approximately 180 μ s.

receive power amplifiers

Two inverting mode power amplifiers are provided for directly driving a match-line interface transformer. The gain of the first power amplifier can be adjusted to boost the ± 2.5 -V peak output signal from the receive filter up to the ± 3.3 -V peak into an unbalanced 300- Ω load, or ± 4.0 V into an unbalanced 15-k Ω load. The second power amplifier is internally connected in unity-gain inverting mode to give 6 dB of signal gain for balanced loads.

Maximum power transfer to a 600- Ω subscriber line termination is obtained by differentially driving a balanced transformer with $\sqrt{2}:1$ turns ratio, as shown in Figure 3. A total peak power of 15.6 dBm can be delivered to the load plus termination.

ENCODING FORMAT AT DX OUTPUT

	TP3064B, TP13064B μ-Law	TP3067B, TP13067B A-Law (INCLUDES EVEN-BIT INVERSION)
$V_I = +$ Full-Scale	1 0 0 0 0 0 0 0	1 0 1 0 1 0 1 0
$V_I = 0$	1 1 1 1 1 1 1 1 0 1 1 1 1 1 1 1	1 1 0 1 0 1 0 1 0 1 0 1 0 1 0 1
$V_I = -$ Full-Scale	0 0 0 0 0 0 0 0	0 0 1 0 1 0 1 0

TP3064B, TP3067B, TP13064B, TP13067B

MONOLITHIC SERIAL INTERFACE

COMBINED PCM CODEC AND FILTER

absolute maximum ratings over operating free-air temperature range (unless otherwise noted)

Supply voltage, V_{CC} (see Note 1)	7 V
Supply voltage, V_{BB} (see Note 1)	-7 V
Voltage range at any analog input or output	$V_{CC} + 0.3$ V to $V_{BB} - 0.3$ V
Voltage range at any digital input or output	$V_{CC} + 0.3$ V to GND - 0.3 V
Continuous total dissipation at (or below) $T_A = 25^\circ\text{C}$	See Dissipation Rating Table
Operating free-air temperature range: TP3064B, TP3067B	0°C to 70°C
TP13064B, TP13067B	-40°C to 85°C
Storage temperature range	-65°C to 150°C
Lead temperature 1,6 mm (1/16 inch) from case for 10 seconds: DW or N package	260°C
Lead temperature 1,6 mm (1/16 inch) from case for 10 seconds: J package	300°C
Case temperature for 10 seconds: FN package	260°C

NOTE 1: All voltages are with respect to GND terminal.

DISSIPATION RATING TABLE

PARAMETER	$T_A \leq 25^\circ\text{C}$ POWER RATING	DERATING FACTOR ABOVE $T_A = 25^\circ\text{C}$	$T_A = 70^\circ\text{C}$ POWER RATING	$T_A = 85^\circ\text{C}$ POWER RATING
DW	1025 mW	8.2 mW/ $^\circ\text{C}$	656 mW	533 mW
FN	1400 mW	11.2 mW/ $^\circ\text{C}$	896 mW	728 mW
J	1025 mW	8.2 mW/ $^\circ\text{C}$	656 mW	533 mW
N	1150 mW	9.2 mW/ $^\circ\text{C}$	736 mW	598 mW

recommended operating conditions

	MIN	NOM	MAX	UNIT
Supply voltage, V_{CC}	4.75	5	5.25	V
Supply voltage, V_{BB}	-4.75	-5	-5.25	V
High-level input voltage, V_{IH}	2.2			V
Low-level input voltage, V_{IL}			0.6	V
Common-mode input voltage range, V_{ICR}^\dagger			± 2.5	V
Load resistance at GSX, R_L	10			k Ω
Load capacitance at GSX, C_L			50	pF
Operating free-air temperature, T_A	TP3064B, TP3067B		0	70
	TP13064B, TP13067B		-40	85

† Measure with CMRR > 60 dB.

electrical characteristics over power supply variations and recommended free-air temperature range (unless otherwise noted)

supply current

PARAMETER	TEST CONDITIONS	TP306_B		TP1306_B		UNIT
		MIN	TYP ‡	MAX	MIN	
I_{CC} Supply current from V_{CC}	Power down	0.5		0.5		mA
	Active	6	10	6	11	
I_{BB} Supply current from V_{BB}	Power down	0.5		0.5		mA
	Active	6	10	6	11	

‡ All typical values are at $V_{CC} = 5$ V, $V_{BB} = -5$ V, and $T_A = 25^\circ\text{C}$.

TP3064B, TP3067B, TP13064B, TP13067B
MONOLITHIC SERIAL INTERFACE
COMBINED PCM CODEC AND FILTER

electrical characteristics at $V_{CC} = 5\text{ V} \pm 5\%$, $V_{BB} = -5\text{ V} \pm 5\%$, GND at 0 V, $T_A = 25^\circ\text{C}$ (unless otherwise noted)

digital interface

PARAMETER		TEST CONDITIONS	MIN	TYP†	MAX	UNIT
V_{OH}	High-level output voltage	DX $I_H = -3.2\text{ mA}$	2.4			V
V_{OL}	Low-level output voltage	DX			0.4	V
		$\overline{\text{TSX}}$			0.4	
I_{IH}	High-level input current	$V_I = V_{IH}$ to V_{CC}			± 10	μA
I_{IL}	Low-level input current	All digital inputs $V_I = \text{GND}$ to V_{IL}			± 10	μA
I_{OZ}	Output current in high-impedance state	DX $V_O = \text{GND}$ to V_{CC}			± 10	μA

analog interface with transmit amplifier input

PARAMETER		TEST CONDITIONS	MIN	TYP†	MAX	UNIT
I_I	Input current	VFXI+ or VFXI- $V_I = -2.5\text{ V}$ to 2.5 V			± 200	nA
r_i	Input resistance	VFXI+ or VFXI- $V_I = -2.5\text{ V}$ to 2.5 V	10			M Ω
r_o	Output resistance	Closed loop, Unit gain		1	3	Ω
	Output dynamic range	GSX $R_L \geq 10\text{ k}\Omega$			± 2.8	V
A_V	Open-loop voltage amplification	VFXI+ to GSX	5000			
B_f	Unity-gain bandwidth	GSX	1	2		MHz
V_{IO}	Input offset voltage	VFXI+ or VFXI-			± 20	mV
CMRR	Common-mode rejection ratio		60			dB
KS _{SVR}	Supply voltage rejection ratio		60			dB

analog interface with receive filter

PARAMETER		TEST CONDITIONS	MIN	TYP†	MAX	UNIT
Output resistance	VFRO			1	3	Ω
Load resistance		VFRO = $\pm 2.5\text{ V}$	600			Ω
Load capacitance	VFRO to GND				500	pF
Output dc offset voltage	VFRO to GND				± 200	mV

† All typical values are at $V_{CC} = 5\text{ V}$, $V_{BB} = -5\text{ V}$, and $T_A = 25^\circ\text{C}$.

analog interface with power amplifiers

PARAMETER		TEST CONDITIONS	MIN	TYP	MAX	UNIT
I_I	Input current	$V_{PI} = -1\text{ V}$ to 1 V			± 100	nA
r_i	Input resistance	$V_{PI} = -1\text{ V}$ to 1 V	10			M Ω
r_o	Output resistance	VOP+ or VPO- Inverting unity gain		1		Ω
A_V	Voltage amplification	VPO- or VOP+ $V_{PO} = 1.77\text{ V}_{rms}$, $R_L = 600\ \Omega$		-1		
B_f	Unity-gain bandwidth	VPO- Open loop		400		kHz
V_{IO}	Input offset voltage				± 25	mV
KS _{SVR}	Supply voltage rejection ratio of V_{CC} or V_{BB}	VPO - connected to VPI	0 kHz to 4 kHz	60		dB
			4 kHz to 50 kHz	36		
R_L	Load resistance	Connected from VPO+ to VPO -	600			Ω
C_L	Load capacitance				100	pF

TP3064B, TP3067B, TP13064B, TP13067B
MONOLITHIC SERIAL INTERFACE
COMBINED PCM CODEC AND FILTER

timing requirements

PARAMETER		TEST CONDITIONS	MIN	TYP [†]	MAX	UNIT
$1/t_{PM}$	Frequency of master clock	MCLK _x and MCLK _R Depends on the device used and the BCLKX/CLKSEL pin		1.536 1.544 2.048		MHz
t_{WMH}	Pulse duration, MCLKX and MCLKR high		160			ns
t_{WML}	Pulse duration, MCLKX and MCLKR low		160			ns
t_{SBFM}	Setup time, BCLKX high (and FSX in long-frame sync mode) before MCLKX \downarrow	First bit clock after the leading edge of FSX		100		ns
t_{WBH}	Pulse duration, BCLKX and BCLKR high	$V_{IH} = 2.2 V$	160			ns
t_{WBL}	Pulse duration, BCLKX and BCLKR low	$V_{IL} = 0.6 V$	160			ns
t_{HBFL}	Hold time, frame sync low after bit clock low (long frame only)		0			ns
t_{HBFS}	Hold time, BCLKX high after frame sync \uparrow (short frame only)		0			ns
t_{SFB}	Setup time, frame sync high before bit clock \downarrow (long frame only)		80			ns
t_{DBD}	Delay time, BCLKX high to data valid	Load = 150 pF plus 2 LSTTL loads	0		180	ns
t_{DBTS}	Delay time, BCLKX high to \overline{TSX} low	Load = 150 pF plus 2 LSTTL loads			160	ns
t_{DZC}	Delay time, BCLKX low to data output disabled		50		220	ns
t_{DZF}	Delay time, FSX or BCLKX high to data valid (long frame only)	$C_L = 0 pF$ to 150 pF	20		165	ns
t_{SDB}	Setup time, DR valid before BCLKR \downarrow		50			ns
t_{HBD}	Hold time, DR valid after BCLKR or BCLKX \downarrow		50			ns
t_{SF}	Setup time, FSR or FSX high before BCLKR or BCLKX \downarrow	Short-frame sync pulse (1 or 2 bit clock periods long) (See Note 2)	50			ns
t_{HF}	Hold time, FSX or FSR high after BCLKX or BCLKR \downarrow	Short-frame sync pulse (1 or 2 bit clock periods long) (See Note 2)	100			ns
t_{HBF1}	Hold time, frame sync high after bit clock \downarrow	Long-frame sync pulse (from 3 to 8 bit clock periods long)	100			ns
t_{WFL}	Pulse duration of the frame sync pulse (low level)	64K bit/s operating mode	160			ns

[†] All typical values are at $V_{CC} = 5 V$, $V_{BB} = -5 V$, and $T_A = 25^\circ C$.

NOTE 2: For short-frame sync timing, FSR and FSX must go high while their respective bit clocks are high.

TP3064B, TP3067B, TP13064B, TP13067B
MONOLITHIC SERIAL INTERFACE
COMBINED PCM CODEC AND FILTER

operating characteristics, over operating free-air temperature range $V_{CC} = 5\text{ V} \pm 5\%$, $V_{BB} = -5\text{ V} \pm 5\%$, GND at 0 V, $V_I = 0\text{ dBm0}$, $f = 1.02\text{ kHz}$, transmit input amplifier connected for unity gain, noninverting (unless otherwise noted) (see Note 3)

filter gains and tracking errors

PARAMETER		TEST CONDITIONS†	MIN	TYP‡	MAX	UNIT
Maximum peak transmit overload level	TP3064B, TP13064B	3.17 dBm0		2.501		V
	TP3067B, TP13067B	3.14 dBm0		2.492		
Transmit filter gain, absolute (at 0 dBm0)		$T_A = 25^\circ\text{C}$	-0.15		0.15	dB
Transmit filter gain, relative to absolute	$f = 16\text{ Hz}$				-40	dB
	$f = 50\text{ Hz}$				-30	
	$f = 60\text{ Hz}$				-26	
	$f = 200\text{ Hz}$			-1.8	-0.1	
	$f = 300\text{ Hz to } 3000\text{ Hz}$			-0.15	0.15	
	$f = 3300\text{ Hz}$			-0.35	0.05	
	$f = 3400\text{ Hz}$			-0.8	0	
	$f = 4000\text{ Hz}$				-14	
$f \geq 4600\text{ Hz (Measure response from } 0\text{ Hz to } 4000\text{ Hz)}$				-32		
Absolute transmit gain variation with temperature and supply voltage		Relative to absolute transmit gain	-0.10		0.10	dB
Transmit gain tracking error with level	Sinusoidal test method; Reference level = -10 dBm0					dB
	$V_{FXI+} = -40\text{ to } +3\text{ dBm0}$				± 0.2	
	$V_{FXI+} = -50\text{ to } -40\text{ dBm0}$				± 0.4	
	$V_{FXI+} = -55\text{ to } -50\text{ dBm0}$				± 0.8	
Receive filter gain, absolute (at 0 dBm0)		Input is digital code sequence for 0-dBm0 signal, $T_A = 25^\circ\text{C}$	-0.15		0.15	dB
Receive filter gain, relative to absolute	$f < 200\text{ Hz}$				-0.1	dB
	$f \geq 200\text{ Hz}$			-0.8	0	
	$f = 300\text{ Hz to } 3000\text{ Hz, } T_A = 25^\circ\text{C}$			-0.15	0.15	
	$f = 3300\text{ Hz}$			-0.35	0.05	
	$f = 3400\text{ Hz}$			-0.8	0	
$f = 4000\text{ Hz}$				-14		
Absolute receive gain variation with temperature and supply voltage		$T_A = \text{Full range, See Note 3}$	-0.10		0.10	dB
Receive gain tracking error with level	Sinusoidal test method; reference input PCM code corresponds to an ideally encoded -10-dBm0 signal					dB
	PCM level = -40 to +3 dBm0				± 0.2	
	PCM level = -50 to -40 dBm0				± 0.4	
	PCM level = -55 to -50 dBm0				± 0.8	
Receive output drive voltage		$R_L = 10\text{ k}\Omega$			± 2.5	V
Transmit and receive gain tracking error with level (A-law, CCITT C712)	Pseudo noise test method; reference input PCM code corresponds to an ideally encoded -10-dBm0 signal					dB
	PCM level = -40 to -10 dBm0				± 0.25	
	PCM level = -50 to -40 dBm0				± 0.30	
	PCM level = -55 to -50 dBm0				± 0.45	

† Absolute rms signal levels are defined as follows: $V_I = 0\text{ dBm0} \approx 4\text{ dBm} = 1.2276\text{ V}$ at $f = 1.02\text{ kHz}$ with $R_L = 600\ \Omega$.

‡ All typical values are at $V_{CC} = 5\text{ V}$, $V_{BB} = -5\text{ V}$, and $T_A = 25^\circ\text{C}$.

NOTE 3: Full range for the TP3064B and TP3067B is 0°C to 70°C . Full range for the TP13064B and TP13067B is -40°C to 85°C .

TP3064B, TP3067B, TP13064B, TP13067B
MONOLITHIC SERIAL INTERFACE
COMBINED PCM CODEC AND FILTER

operating characteristics, over operating free-air temperature range $V_{CC} = 5\text{ V} \pm 5\%$, $V_{BB} = -5\text{ V} \pm 5\%$, GND at 0 V, $V_I = 0\text{ dBm}_0$, $f = 1.02\text{ kHz}$, transmit input amplifier connected for unity gain, noninverting (unless otherwise noted) (see Note 3)

envelope delay distortion with frequency

PARAMETER	TEST CONDITIONS	MIN	TYP†	MAX	UNIT
Transmit delay, absolute (at 0 dBm ₀)	$f = 1600\text{ Hz}$		290	315	μs
Transmit filter gain, relative to absolute	$f = 500\text{ Hz to }600\text{ Hz}$		195	220	μs
	$f = 600\text{ Hz to }800\text{ Hz}$		120	145	
	$f = 800\text{ Hz to }1000\text{ Hz}$		50	75	
	$f = 1000\text{ Hz to }1600\text{ Hz}$		20	40	
	$f = 1600\text{ Hz to }2600\text{ Hz}$		55	75	
	$f = 2600\text{ Hz to }2800\text{ Hz}$		80	105	
	$f = 2800\text{ Hz to }3000\text{ Hz}$		130	155	
Receive delay, absolute (at 0 dBm ₀)	$f = 1600\text{ Hz}$		180	200	μs
Receive delay, relative to absolute	$f = 500\text{ Hz to }1000\text{ Hz}$	-40	-25		μs
	$f = 1000\text{ Hz to }1600\text{ Hz}$	-30	-20		
	$f = 1600\text{ Hz to }2600\text{ Hz}$		70	90	
	$f = 2600\text{ Hz to }2800\text{ Hz}$		100	125	
	$f = 2800\text{ Hz to }3000\text{ Hz}$		140	175	

noise

PARAMETER	TEST CONDITION†	MIN	TYP†	MAX	UNIT
Transmit noise, C-message weighted	TP3064B, TP13064B $V_{FXI} = 0\text{ V}$		5	9	dBrnC ₀
Transmit noise, P-message weighted (see Note 4)	TP3067B, TP13067B $V_{FXI} = 0\text{ V}$		-74	-69	dBm _{0p}
Receive noise, C-message weighted	TP3064B, TP13064B PCM code equals alternating positive and negative zero		2	4	dBrnC ₀
Receive noise, P-message weighted	TP3067B, TP13067B PCM code equals positive zero		-86	-83	dBm _{0p}
Noise, single frequency	$V_{FXI+} = 0\text{ Vms}$, $f = 0\text{ kHz to }100\text{ kHz}$, Loop-around measurement			-53	dBm ₀

† All typical values are at $V_{CC} = 5\text{ V}$, $V_{BB} = -5\text{ V}$, and $T_A = 25^\circ\text{C}$.

NOTES: 3. Full range for the TP3064B and TP3067B is 0°C to 70°C . Full range for the TP13064B and TP13067B is -40°C to 85°C .

4. Measured by extrapolation from the distortion test result.

TP3064B, TP3067B, TP13064B, TP13067B
MONOLITHIC SERIAL INTERFACE
COMBINED PCM CODEC AND FILTER

operating characteristics, over operating free-air temperature range $V_{CC} = 5\text{ V} \pm 5\%$, $V_{BB} = -5\text{ V} \pm 5\%$, GND at 0 V, $V_I = 0\text{ dBm0}$, $f = 1.02\text{ kHz}$, transmit input amplifier connected for unity gain, noninverting (unless otherwise noted) (see Note 3)

power supply rejection

PARAMETER	TEST CONDITIONS		MIN	TYP†	MAX	UNIT‡
Positive power supply rejection, transmit	$V_{CC} = 5\text{ V} + 100\text{ mVrms}$, $V_{FXI+} = -50\text{ dBm0}$, (see Note 5)					
	$f = 0\text{ Hz to }4\text{ kHz}$	A-law	38			dB
		μ -law	38			dBC
		$f = 4\text{ kHz to }50\text{ kHz}$		40		
Negative supply voltage rejection, transmit	$V_{BB} = -5\text{ V} + 100\text{ mVrms}$, $V_{FXI+} = -50\text{ dBm0}$					
	$f = 0\text{ Hz to }4\text{ kHz}$	A-law	35			dB
		μ -law	35			dBC
		$f = 4\text{ kHz to }50\text{ kHz}$		40		
Positive power supply rejection, receive	PCM code equals positive zero, $V_{CC} = 5\text{ V} + 100\text{ mVrms}$					
	$f = 0\text{ Hz to }4\text{ kHz}$	A-law	40			dB
		μ -law	40			dBC
		$f = 4\text{ kHz to }50\text{ kHz}$		40		
Negative supply voltage rejection, receive	PCM code equals positive zero, $V_{BB} = -5\text{ V} + 100\text{ mVrms}$					
	$f = 0\text{ Hz to }4\text{ kHz}$	A-law	38			dB
		μ -law	38			dBC
		$f = 4\text{ kHz to }50\text{ kHz}$		40		
Spurious out-of-band signals at the channel output (VFRO)	0 dBm0, 300 Hz to 3400 Hz input applied to DR (measure individual image signals at VFRO)				-30	dB
		$f = 4600\text{ Hz to }7600\text{ Hz}$			-33	dB
		$f = 7600\text{ Hz to }8400\text{ Hz}$			-40	
		$f = 8400\text{ Hz to }100,000\text{ Hz}$			-40	

† All typical values are at $V_{CC} = 5\text{ V}$, $V_{BB} = -5\text{ V}$, and $T_A = 25^\circ\text{C}$.

‡ The unit dBC applies to C-message weighting.

NOTES: 3. Full range for the TP3064B and TP3067B is 0°C to 70°C . Full range for the TP13064B and TP13067B is -40°C to 85°C .

4. Measured by extrapolation from the distortion test result.

5. The TP13064B and TP3064B are measured using C-message filter. The TP13067B and TP3067B are measured using P-message weighted filter.

2
Telecommunications Circuits

TP3064B, TP3067B, TP13064B, TP13067B
MONOLITHIC SERIAL INTERFACE
COMBINED PCM CODEC AND FILTER

operating characteristics, over operating free-air temperature range $V_{CC} = 5\text{ V} \pm 5\%$,
 $V_{BB} = -5\text{ V} \pm 5\%$, GND at 0 V , $V_I = 0\text{ dBm}_0$, $f = 1.02\text{ kHz}$, transmit input amplifier connected for unity
gain, noninverting (unless otherwise noted)

distortion

PARAMETER	TEST CONDITIONS	MIN	TYP	MAX	UNIT [‡]	
Signal-to-total distortion ratio, transmit or receive half-channel	Sinusoidal test method (see Note 5)					
	Level = 3 dBm ₀		33		dBC	
	Level = 0 dBm ₀ to -30 dBm ₀		36			
	Level = -40 dBm ₀	transmit		29		
		receive		30		
	Level = -55 dBm ₀	transmit		14		
receive			15			
Single-frequency distortion products, transmit				-46	dB	
Single-frequency distortion products, receive				-46	dB	
Intermodulation distortion	Loop-around measurement, VFXI+ = -4 dBm ₀ to -21 dBm ₀ , Two frequencies in the range of 300 Hz to 3400 Hz			-41	dB	
Signal-to-total distortion ratio, transmit half-channel (A-Law) (CCITT G.714)	Pseudo noise test method				dB	
	Level = -3 dBm ₀		33			
	Level = -6 dBm ₀ to -27 dBm ₀		36			
	Level = -34 dBm ₀		33.5			
	Level = -40 dBm ₀		28.5			
	Level = -55 dBm ₀		13.5			
Signal-to-distortion ratio, receive half-channel (A-law) (CCITT G.714)	Pseudo noise test method				dB	
	Level = -3 dBm ₀		33			
	Level = -6 dBm ₀ to -27 dBm ₀		36			
	Level = -34 dBm ₀		34.2			
	Level = -40 dBm ₀		30			
	Level = -55 dBm ₀		15			

crosstalk

PARAMETER	TEST CONDITIONS	MIN	TYP [†]	MAX	UNIT
Crosstalk, transmit-to-receive	$f = 300\text{ Hz}$ to 3000 Hz , DR at steady PCM code		-90	-75	dB
Crosstalk, receive-to-transmit (see Note 6)	VFXI = 0 V , $f = 300\text{ Hz}$ to 3000 Hz		-90	-72	dB

power amplifiers

PARAMETER	TEST CONDITIONS	MIN	TYP [†]	MAX	UNIT
Maximum 0 dBm ₀ rms level for better than $\pm 0.1\text{ dB}$ linearity over the range if -10 dBm ₀ to +3 dBm ₀	Balanced load, R_L , connected between VPO+ and VPO-				V_{RMS}
	$R_L = 600\ \Omega$		3.3		
	$R_L = 1200\ \Omega$		3.5		
	$R_L = 30\text{ k}\Omega$		4		
Signal/distortion	$R_L = 600\ \Omega$		50		dB

[†] All typical values are at $V_{CC} = 5\text{ V}$, $V_{BB} = -5\text{ V}$, and $T_A = 25^\circ\text{C}$.

[‡] The unit dBC applies to C-message weighting.

NOTES: 5. The TP13064B and TP3064B are measured using C-message filter. The TP13067B and TP3067B are measured using P-message weighted filter.

6. Receive-to-transmit crosstalk is measured with a -50 dBm₀ activation signal applied to VFXI+.

PARAMETER MEASUREMENT INFORMATION

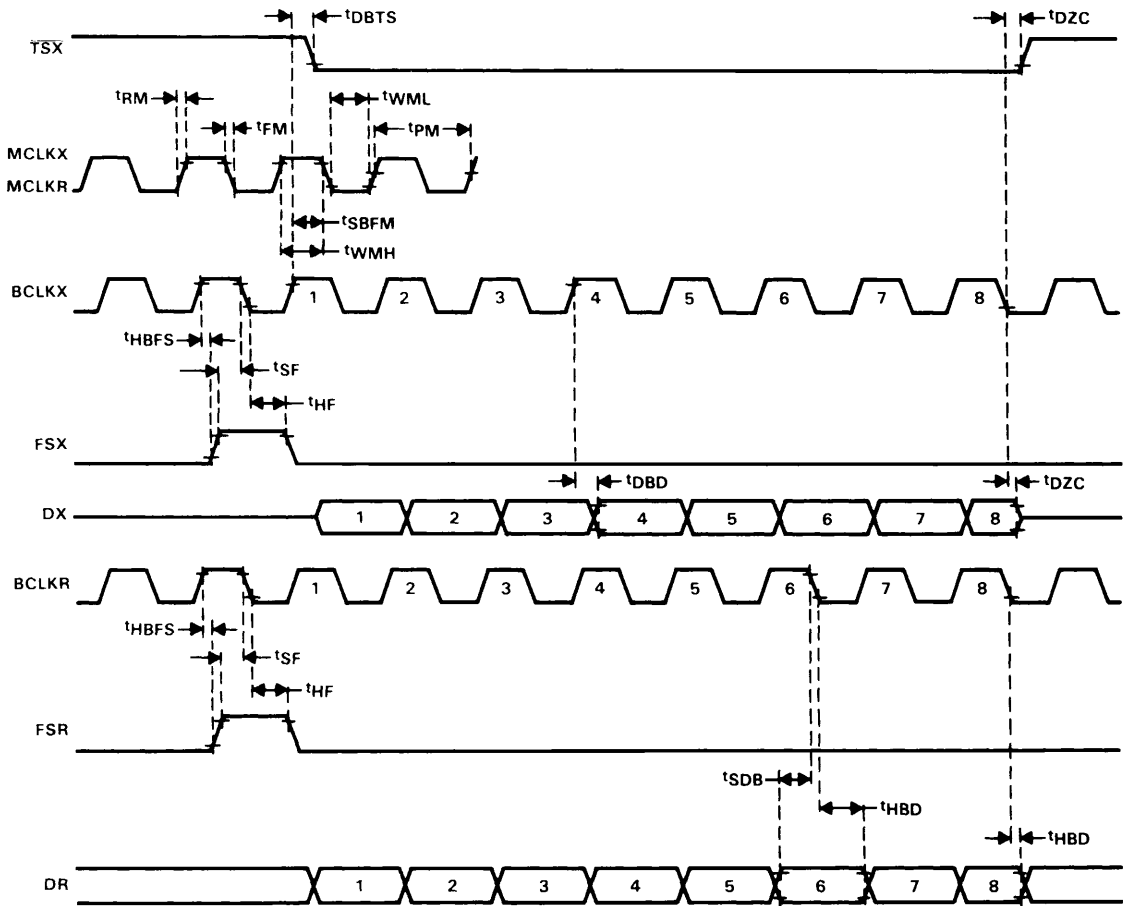


Figure 1. Short-Frame Sync Timing

TP3064B, TP3067B, TP13064B, TP13067B
 MONOLITHIC SERIAL INTERFACE
 COMBINED PCM CODEC AND FILTER

PARAMETER MEASUREMENT INFORMATION

2

Telecommunications Circuits

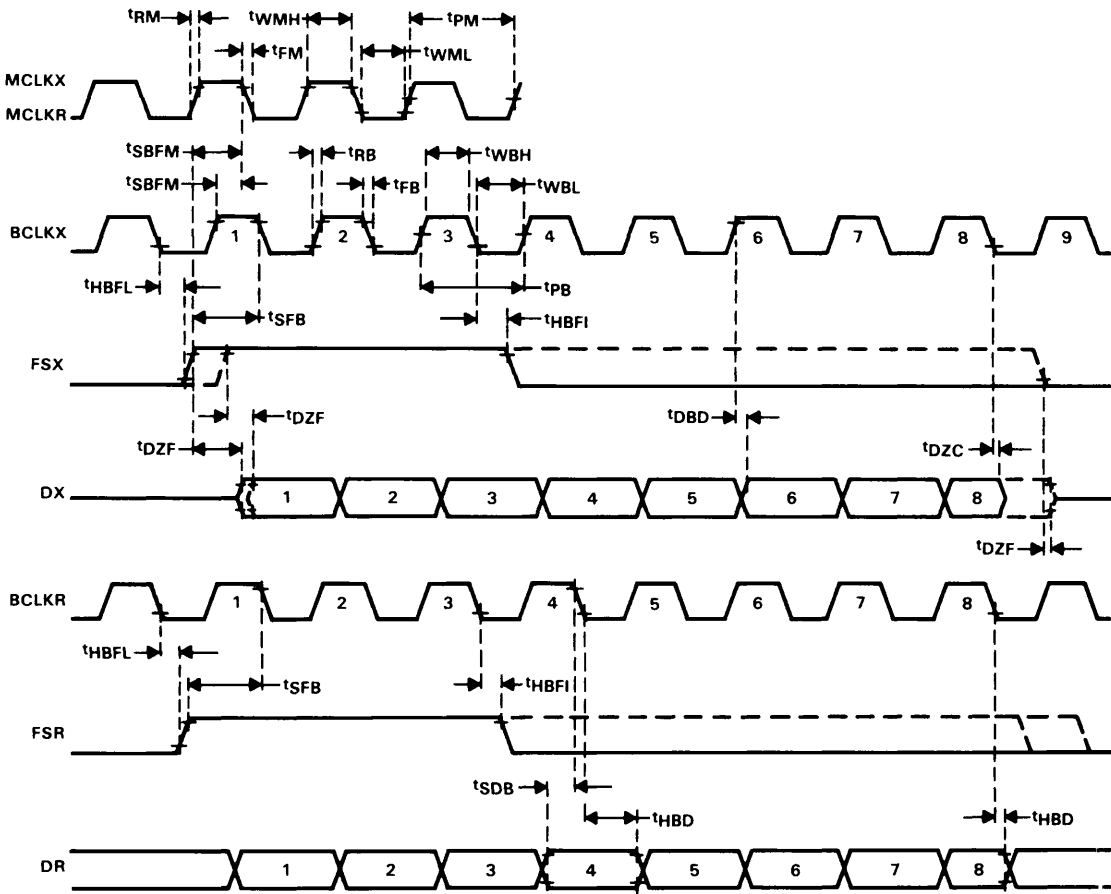


Figure 2. Long-Frame Sync Timing

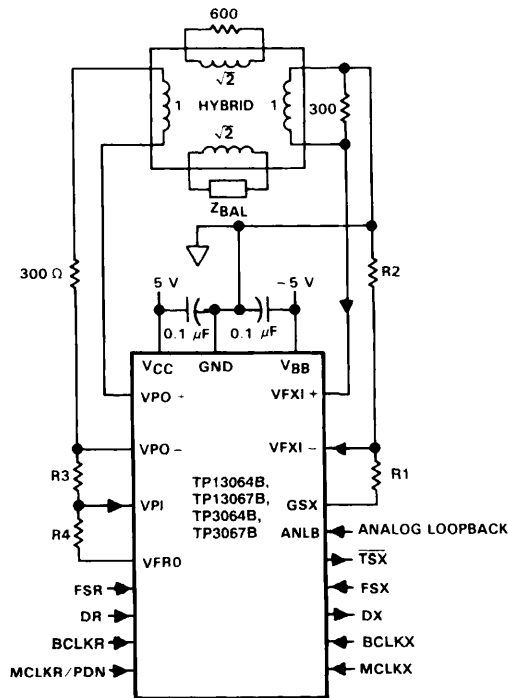
APPLICATIONS INFORMATION

power supplies

While the pins of the TP1306_B and TP306_B families are well protected against electrical misuse, it is recommended that the standard CMOS practice be followed, ensuring that ground is connected to the device before any other connections are made. In applications where the printed circuit board may be plugged into a "hot" socket with power and clocks already present, an extra long ground pin in the connector should be used.

All ground connections to each device should meet at a common point as close as possible to the GNDA pin. This minimizes the interaction of ground return currents flowing through a common bus impedance. V_{CC} and V_{BB} supplies should be decoupled by connecting 0.1- μ F decoupling capacitors to this common point. These bypass capacitors must be connected as close as possible to the V_{CC} and V_{BB} pins.

For best performance, the ground point of each CODEC/FILTER on a card should be connected to a common card ground in star formation, rather than via a ground bus. This common ground point should be decoupled to V_{CC} and V_{BB} with 10- μ F capacitors.



- NOTES. A Transmit gain = $20 \times \log \left(\frac{R1 + R2}{R2} \right)$, $(R1 + R2) \geq 10 \text{ k}\Omega$
 B Receive gain = $20 \times \log \left(\frac{2 \times R3}{R4} \right)$, $R4 \geq 10 \text{ k}\Omega$

Figure 3. Typical Asynchronous Application