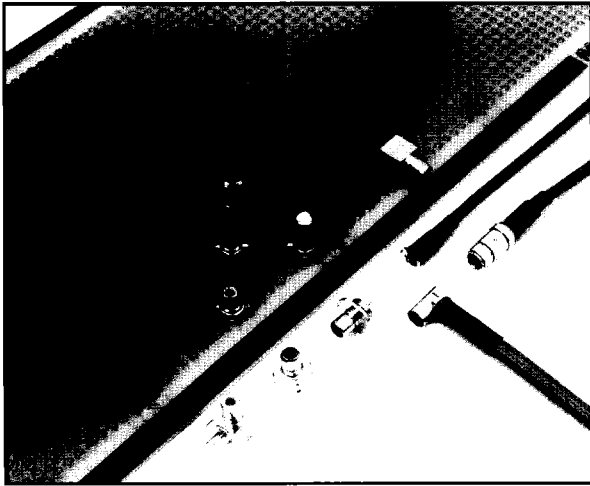


CN10 SERIES CONNECTORS

Board-to-Coaxial Jumper



FEATURES

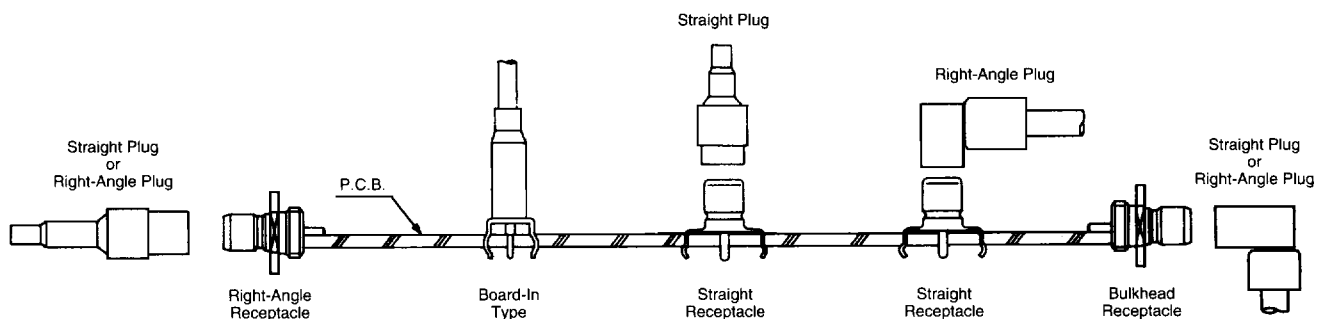
- Miniature connectors for board-to-coaxial jumper cable applications. Designed per MIL SMB type and JIS-C-5415
- Applicable frequency range is zero through 3 GHz. High impedance matching: the voltage standing wave ratio is less than 1.1 (Right-angle receptacle is 1.2 max. voltage standing wave ratio.)
- Low profile: the height on the board is 8mm (.315") to 9mm (.354") when a right-angle plug is mated with a straight receptacle
- An extrusion on the shell innerwall of the plug ensures mechanical and electrical integrity
- Plugs are supplied as cable assemblies
- The straight receptacle and board-in plug have kinked leads to hold connector during soldering



Miniature connectors for board-to-jumper coaxial cable applications intended for transmission of high frequency waves and high density packaging in electronic devices. With the combination of three types of receptacle (straight, right-angle and bulkhead) and three types of plug (straight, right-angle and board-in), it is feasible to have various connection styles. Suitable for use in automotive telephone sets, portable telephone sets, various communication devices and electronic measuring instruments.

GENERAL SPECIFICATIONS

| | |
|--|--|
| Characteristic Impedance | 50 ohms |
| Current Rating | 2 Amps (DC) |
| Voltage Rating | 100 VAC r.m.s. (for one minute) |
| Dielectric Withstanding Voltage | 200 VAC r.m.s. (one minute) |
| Insulation Resistance | 500 megohms min. (DC 250 V) |
| Contact Resistance | 8 milliohms max. Only right-angle receptacle is 12 milliohms max. |
| Voltage Standing Wave Ratio (V.S.W.R.) | 1.1 max. (DC-3 GHz) (Applicable: 1.5 D-QEV. L=300mm) Only right-angle receptacle is 1.2 max. |
| Total Mating Force | 5 kilograms max. |
| Total Unmating Force | 0.9 kilograms min. |
| Temperature Range | -55°C to +165°C (Connector only) Only right-angle receptacle is -20°C ~ +165°C |
| Applicable Cables | 1.5 D-QEV (1.5 D-2V) 1.5 D-QEW (1.5 D-2W) 0.8 D-QEW (0.8 D-2W) |



Dimensions and specifications subject to change without notice.

Hong Kong
Tel: 2723-7782
Fax: 2723-9028

Japan
03-3780-2715
03-3780-2883

Korea
2-551-8959
2-551-8958

Philippines
46-433-0276
46-433-0287

Singapore
748-1332
748-2920

Taiwan
02-555-9711
02-556-5424

Europe
1276-21717
1276-66165

United States
949-753-2600
949-753-2699

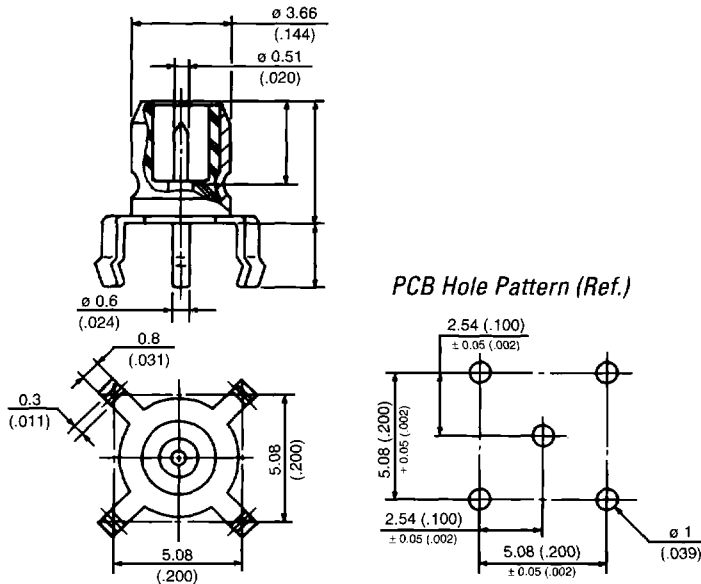


CN10 SERIES CONNECTORS

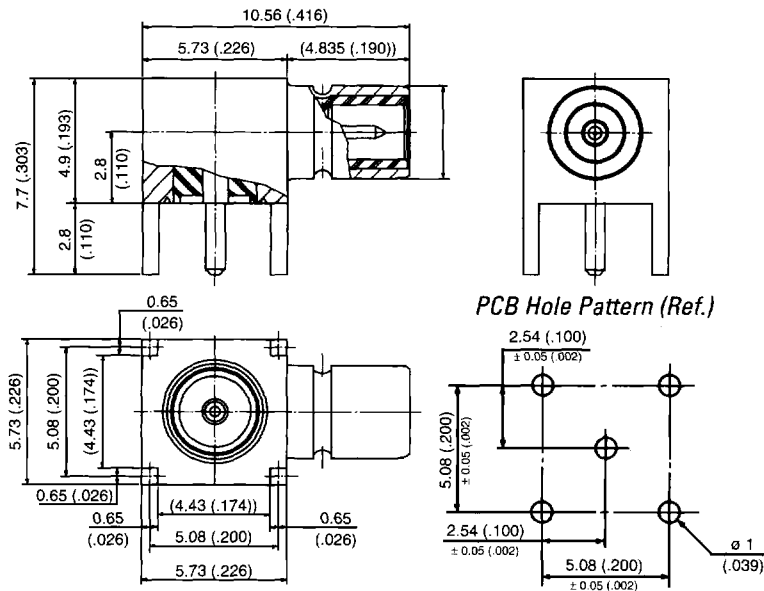
Board-to-Coaxial Jumper

RECEPTACLE

■ STRAIGHT RECEPTACLE • Part Number: CN10-RP-M-0



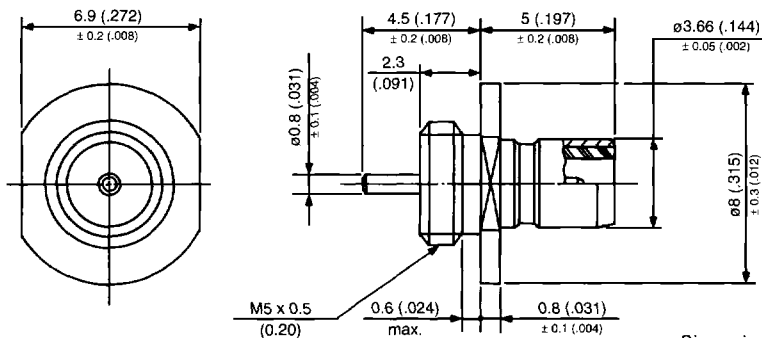
RIGHT-ANGLE RECEPTACLE • Part Number: CN10-RRP-M-0



BULKHEAD RECEPTACLE • Part Number: CN10-RB-M-0

MATERIALS AND FINISHES

| Component | Material | Finish |
|-----------|--------------|--------------|
| Contact | Copper Alloy | Gold Plate |
| Insulator | TFE or PFA | — |
| Body | Copper Alloy | Nickel Plate |



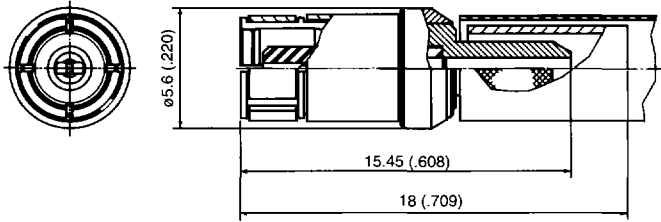
Dimensions in mm (inches).

CN10 SERIES CONNECTORS

Board-to-Coaxial Jumper

■ PLUG

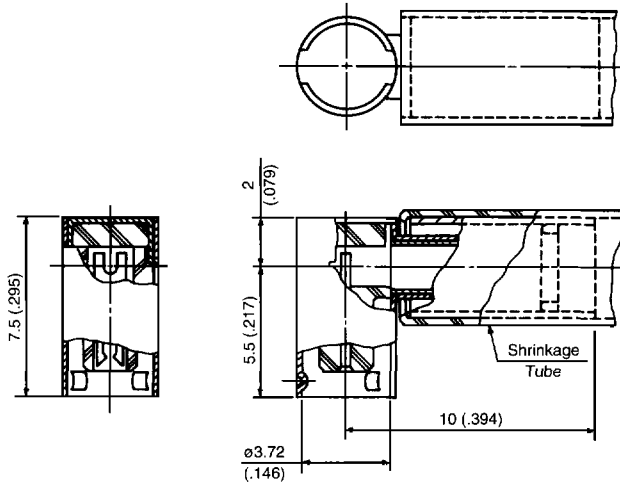
STRAIGHT PLUG • Part Number: CN10-PL-F-*



MATERIALS AND FINISHES

| Component | Material | Finish |
|----------------|-----------------|--------------|
| Body | Copper Alloy | Nickel Plate |
| Contact | Copper Alloy | Gold Plate |
| Insulator | TFE or PFA | — |
| Cover | Copper Alloy | Nickel Plate |
| Color | TFE or PFA | — |
| Holder | Copper Alloy | Nickel Plate |
| Ferrule | Copper Alloy | Solder Plate |
| Ring Spring | Copper Alloy | Nickel Plate |
| Shrinkage Tube | Synthetic Resin | — |

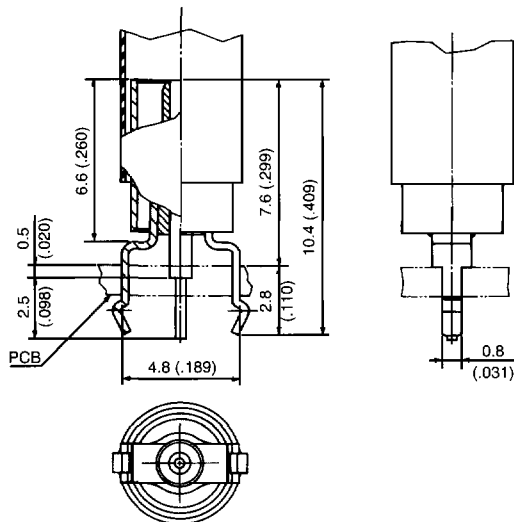
RIGHT-ANGLE PLUG • Part Number: CN10-RPL-F-*



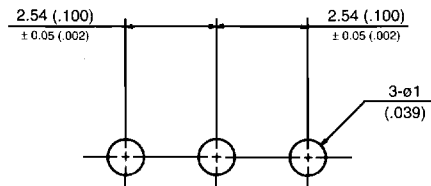
MATERIALS AND FINISHES

| Component | Material | Finish |
|----------------|----------------------|--------------|
| Body | Copper Alloy | Nickel Plate |
| Contact | Copper Alloy | Gold Plate |
| Insulator | TFE or PFA | — |
| Cap | Copper Alloy | Nickel Plate |
| Sleeve | Brass | Nickel Plate |
| Ferrule | Copper Alloy | Solder Plate |
| Shrinkage Tube | Shrinkage Vinyl tube | — |

BOARD-IN PLUG • Part Number: CN10-BI-*



PCB Hole Pattern (Ref.)



MATERIALS AND FINISHES

| Component | Material | Finish |
|----------------|-----------------|--------------|
| Body | Copper Alloy | Nickel Plate |
| Sleeve | Copper Alloy | Nickel Plate |
| Ferrule | Copper Alloy | Solder Plate |
| Shrinkage Tube | Synthetic Resin | — |

Dimensions in mm (inches).

Hong Kong
Tel: 2723-7782
Fax: 2723-9028

Japan
03-3780-2715
03-3780-2883

Korea
2-551-8959
2-551-8958

Philippines
46-433-0276
46-433-0287

Singapore
748-1332
748-2920

Taiwan
02-555-9711
02-556-5424

Europe
1276-21717
1276-66165

United States
949-753-2600
949-753-2699

