

NOTES:

1. MATERIALS AND FINISHES:

BODY - BRASS - GOLD PLATED (.000010" MIN.)
 CONTACT - BRASS - GOLD PLATED (.000030" MIN.)
 BULLET BODY - BERYLLIUM COPPER (MACHINED) - GOLD PLATED (.000030" MIN.)
 BULLET CONTACT - BERYLLIUM COPPER (STAMPED) - GOLD PLATED (.000030" MIN.)
 INSULATORS - PTFE

2. ELECTRICAL:

A. IMPEDANCE = 75 OHM, NOMINAL
 B. FREQUENCY RANGE = DC TO 1.0 GHz

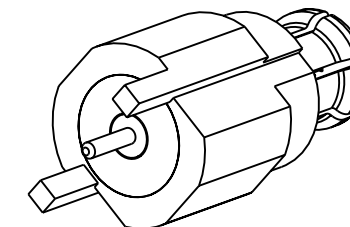
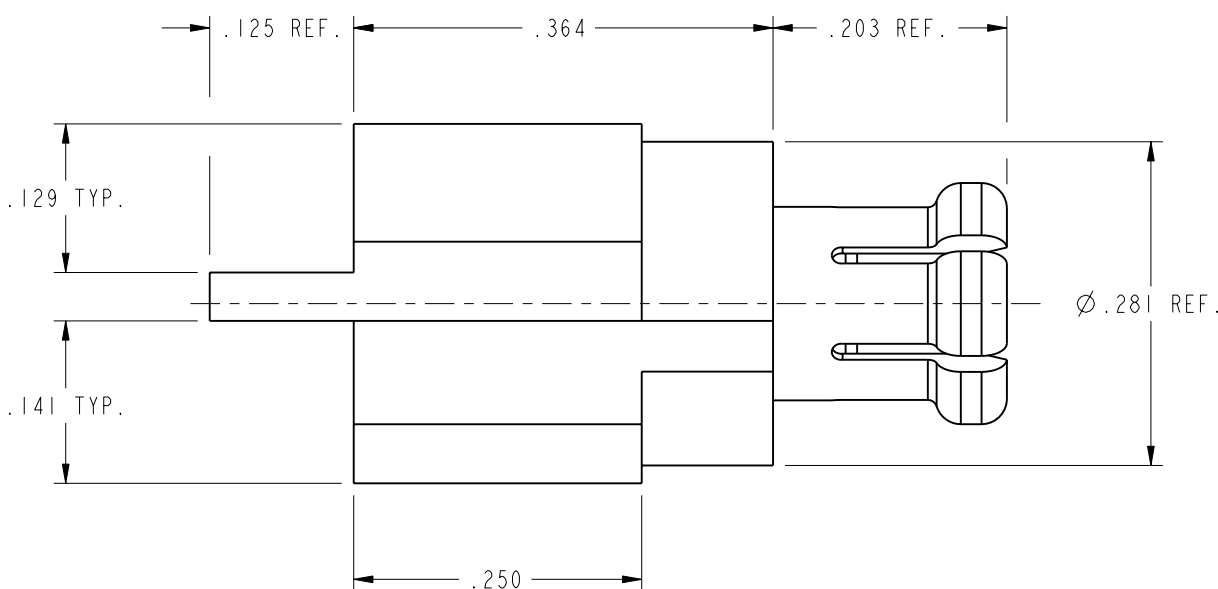
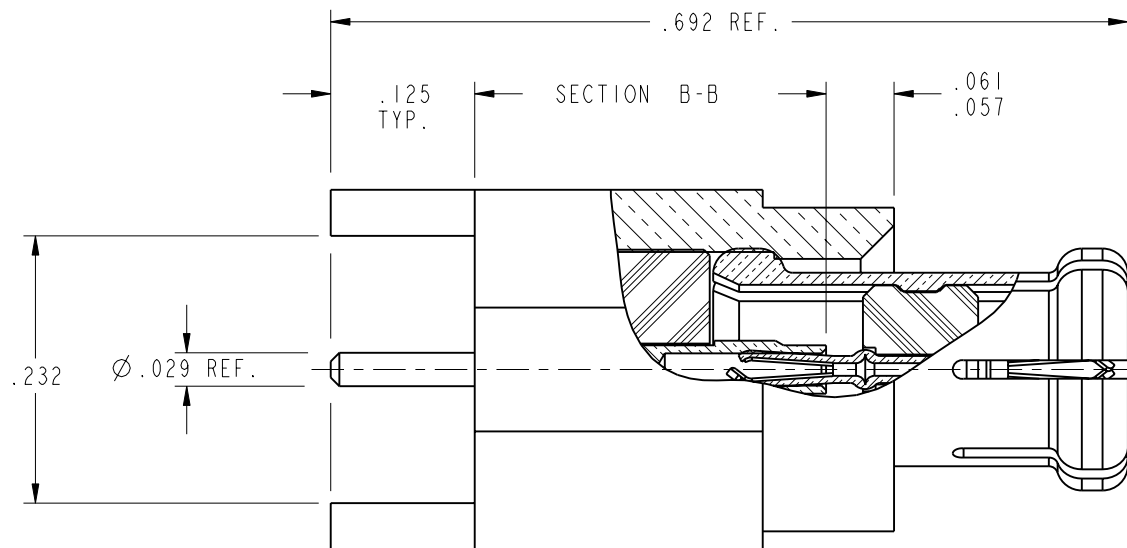
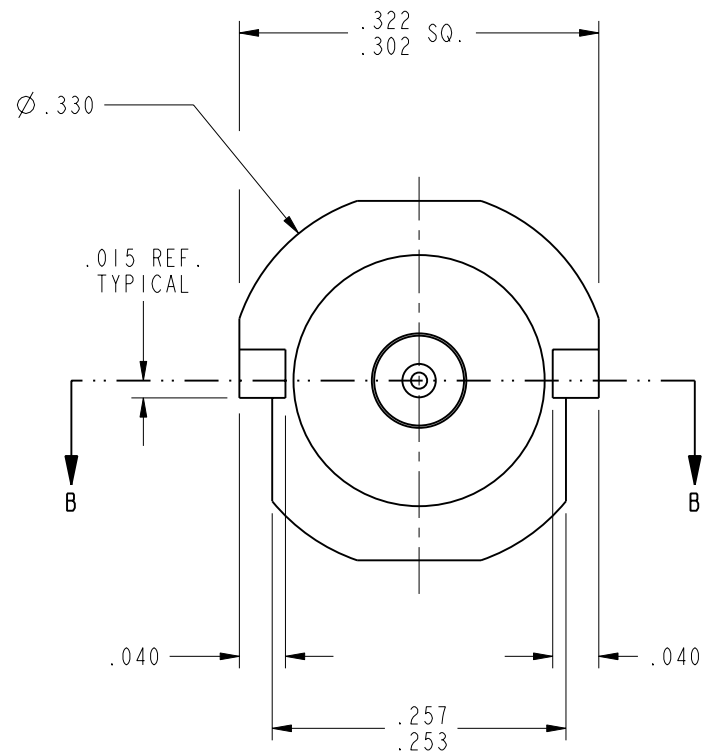
3. MECHANICAL:

A. DURABILITY = 500 CYCLES MIN.
 B. TEMPERATURE RANGE = -65° C TO +165° C
 C. ENGAGEMENT FORCE = 5.0 LBS MAX. (PER BULLET)
 DISENGAGEMENT FORCE = 0.5 LBS. MIN. (PER BULLET)
 D. DESIGNED FOR USE WITH .093±.005 THICK FR-4 PCB MATERIAL

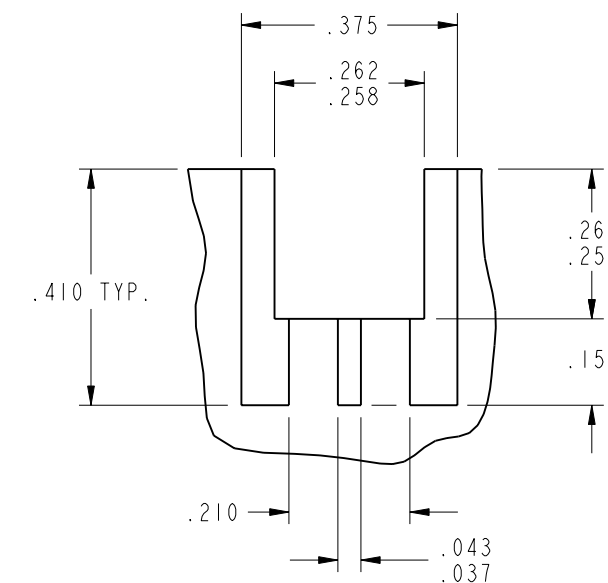
4. PACKAGING:

A. QUANTITY: SINGLE PACK
 B. BAG TO BE MARKED: "AMPHENOL, 920-100P-71P, AND DATE CODE"

920-100P-71P		REVISIONS			
DRAWING NO.	REV	DESCRIPTION	DATE	ECO	APPR
THIRD ANGLE PROJ.	A	RELEASE TO MFG.	12/11/01	43909	BCG
	B	A) ADDED: (MACHINED) & (STAMPED) TO NOTE 1 B) ADDED: SECTION B-B, C) ADDED: .057/.061	5/8/02	44045	BCG



SCALE 3.000



PCB MOUNTING CUT-OUT AND PAD LAYOUT

SCALE 3.000

CUSTOMER OUTLINE DRAWING

ALL OTHER SHEETS ARE FOR INTERNAL USE ONLY

UNLESS OTHERWISE SPECIFIED, DIMENSIONS ARE IN INCHES AND TOLERANCES ARE: 2 PLACE DECIMAL ±.015 (0,381 mm) 3 PLACE DECIMAL ±.005 (0,127 mm) ANGLES ± 1°	MATERIAL	DRAWN B.C. GLEISSNER	DATE 05-Dec-01	TITLE EDGE MOUNT W/ BULLET		Amphenol Amphenol Corporation Communication and Network Products Division Danbury, CT U.S.A. 06810	
	REFERENCE EAR# 401 GEN# 615X-1669 GEN# ASSYMI_AFI	ENGINEER G. ANTONINI	DATE 13-Mar-01				
NOTICE - These drawings, specifications, or other data (1) are, and remain the property of Amphenol Corp. (2) must be returned upon request; and (3) are confidential and not to be disclosed to any person other than those to whom they are given by Amphenol Corp. The furnishing of these drawings, specifications, or other data by Amphenol Corp., or to any other person to anyone for any purpose is not to be regarded by implication or otherwise in any manner licensing, granting rights or permitting such holder or any other person to manufacture, use or sell any product, process or design, patented or otherwise, that may in any way be related to or disclosed by said drawings, specifications, or other data.		CAD FILE I:\AFI\920-100P-71P	CODE ID 74868	DWG SIZE B	DRAWING NO. 920-100P-71P	SCALE: 6.0:1	SHEET 2 OF 2