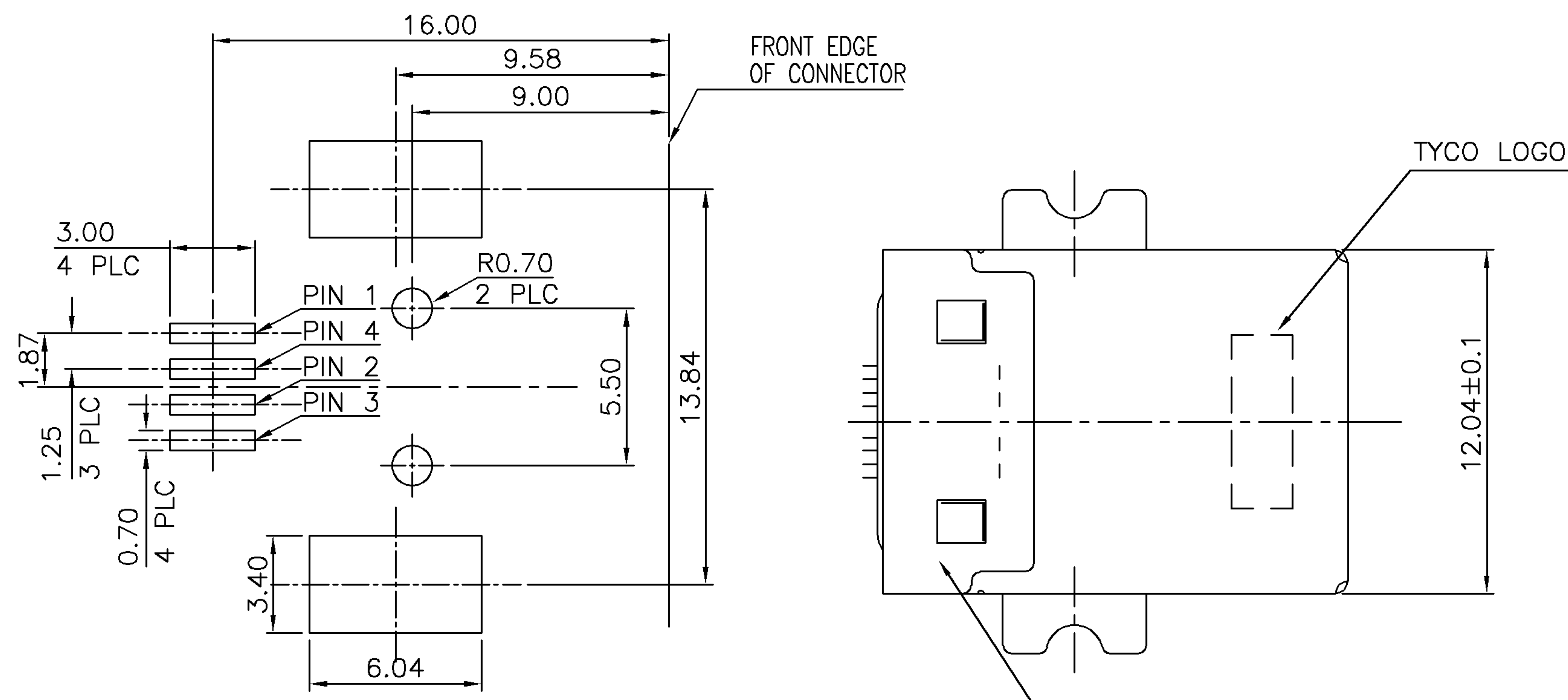


NUMBER  
C-788712

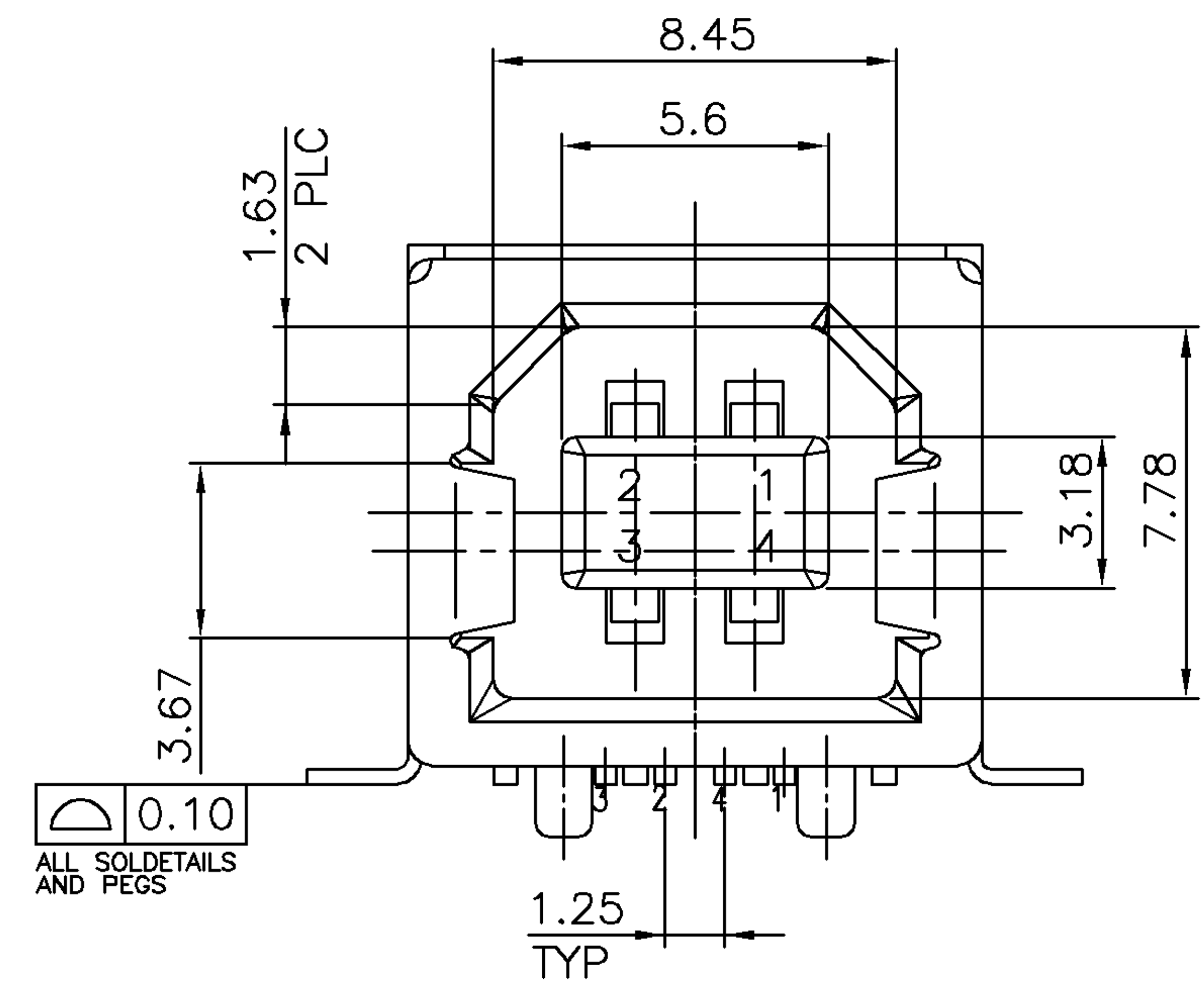
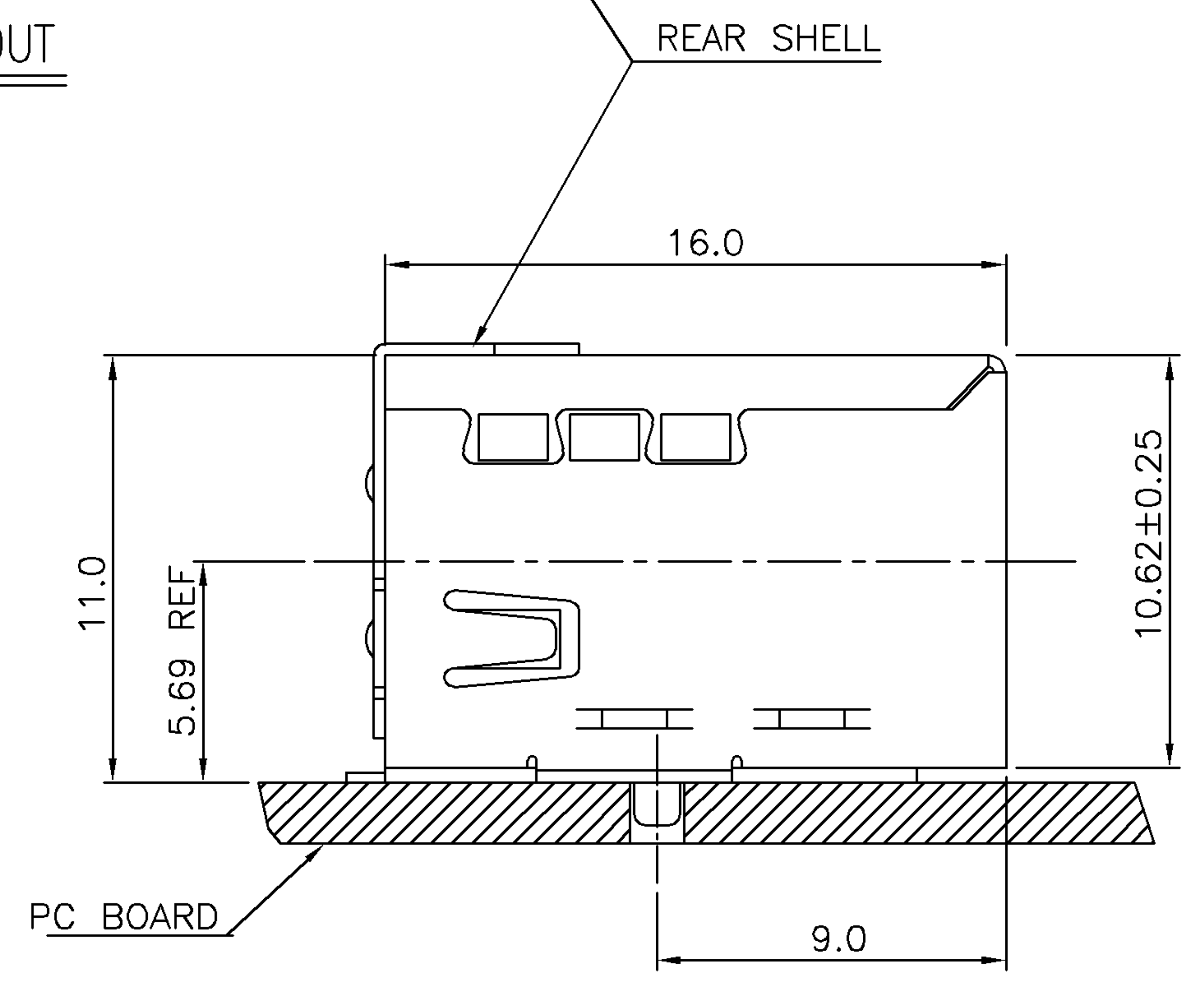
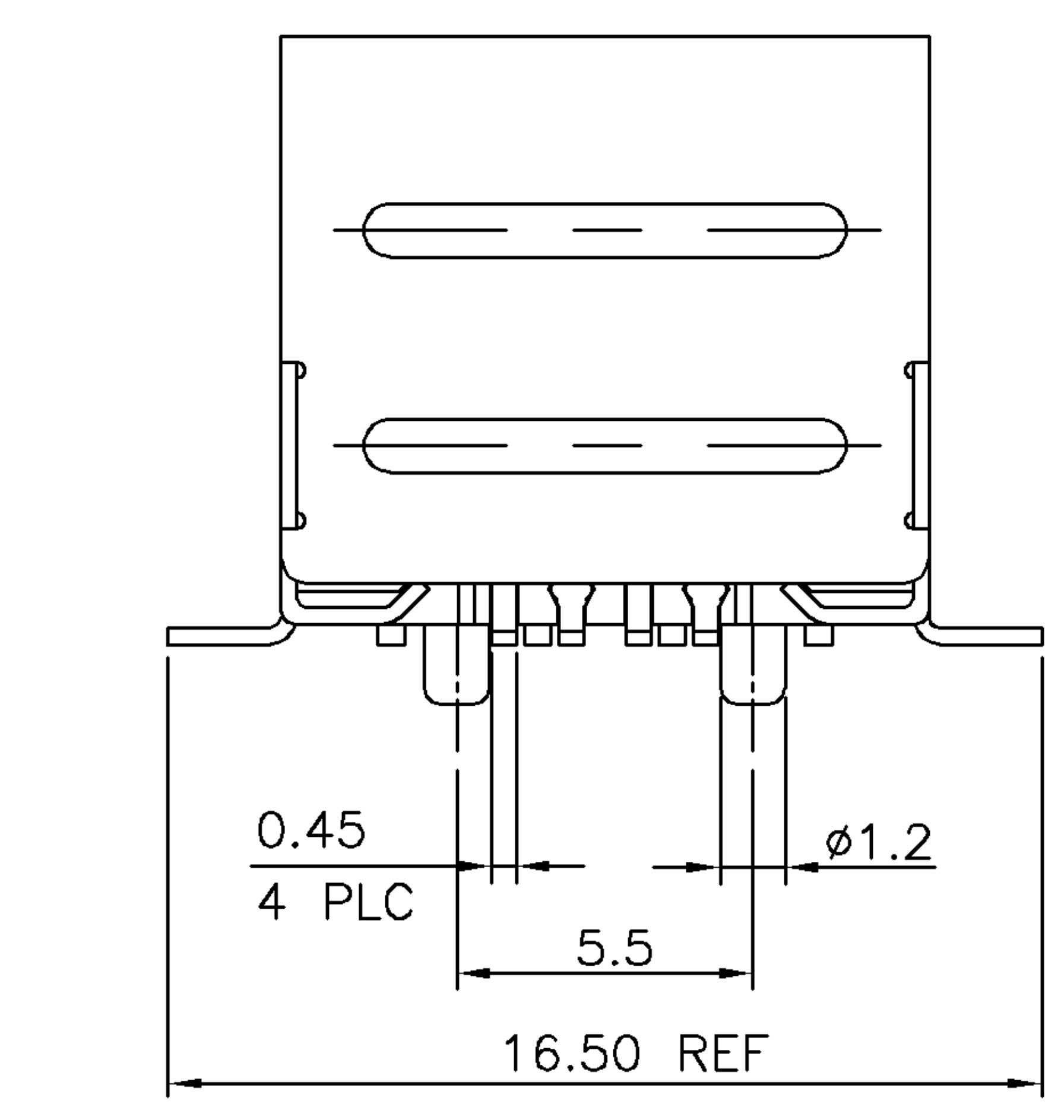
METRIC  
3RD ANGLE PROJECTION

THIS INFORMATION IS CONFIDENTIAL AND IS DISCLOSED TO YOU ON CONDITION THAT NO FURTHER DISCLOSURE IS MADE BY YOU TO OTHER THAN AMP PERSONNEL WITHOUT WRITTEN AUTHORIZATION FROM AMP (TAIWAN) LTD. DIMENSION IN MILLIMETERS. DO NOT SCALE PRINT.

PRINT  
DW



RECOMMENDED PCB LAYOUT



NOTE:

- MATERIAL:  
HOUSING: THERMOPLASTIC HIGH TEMPERATURE, UL 94V-0, COLOR: BLACK.  
CONTACT: PHOSPHOR BRONZE, THICKNESS=0.25mm.  
SHELL: PHOSPHOR BRONZE, THICKNESS=0.30mm.  
REAR SHELL: STAINLESS, THICKNESS=0.30mm.
- FINISH:  
CONTACT:  $\Delta$  30u" MIN. GOLD PLATED IN CONTACT AREA,  $\Delta$  GOLD FLASH IN CONTACT AREA, 100u" MIN. TIN-LEAD PLATED ON SOLDER TAILS, 50u" MIN. NICKEL UNDERPLATED ALL OVER.  
SHELL: 30u"~ 90u" NICKEL PLATED OVER ALL.
- PANEL THICKNESS OF 2.67 mm MAXIMUM IF RECEPTACLE CONNECTOR IS MOUNTED BEHIND A PANEL.
- REFLOW SOLDER CAPABLE TO 245°C PER TYCO SPEC 109-201, CONDITION B.

G	ADD 1-, -X	ECR-05-014060	OH SH	28OCT 2005
F	REVISED DRAWING	FZ00-0005-05	OH SH	17JAN 2005
LTR	REVISION RECORD	ECN	DWN CHK	DATE

TOLERANCES UNLESS OTHERWISE SPECIFIED: 0 PLC ±0.50 1 PLC ±0.25 2 PLC ±0.15 3 PLC ±0.05 ANGLES ±3'	DWN O. HU 26-OCT-2005
MATERIAL SEE NOTE	CHK S. HOU 26-OCT-2005
FINISH SEE NOTE	APVD W.J. KE 26-OCT-2005
	PRODUCT SPEC 108-57538
	QUALIFICATION TEST REPORT 501-57620
	WEIGHT --

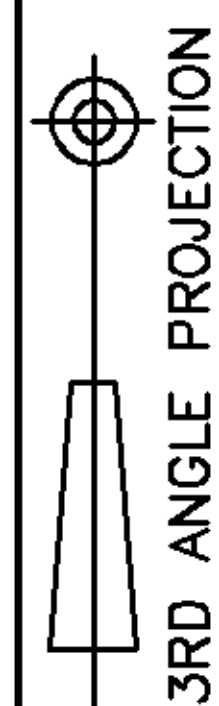
REEL	$\Delta$	WHITE	1-788712-4
	$\Delta$	BLACK	1-788712-3
	$\Delta$	WHITE	1-788712-2
	$\Delta$	BLACK	1-788712-1
TRAY	$\Delta$	WHITE	788712-4
	$\Delta$	BLACK	788712-3
	$\Delta$	WHITE	788712-2
PACKAGE FINISH	$\Delta$	BLACK	788712-1
		HSG'S COLOR	PART NUMBER

**tyco** TYCO HOLDINGS (BERMUDA)  
**Electronics** VII LTD. TAIWAN BRANCH

NAME  
RECEPTACLE ASSEMBLY, R/A,  
SMT, TYPE B, 4 POS, USB

LOC	SIZE	DRAWING NO	REV
DW	A <sub>3</sub>	C-788712	G
SCALE	SHEET		1 OF 3
	--		

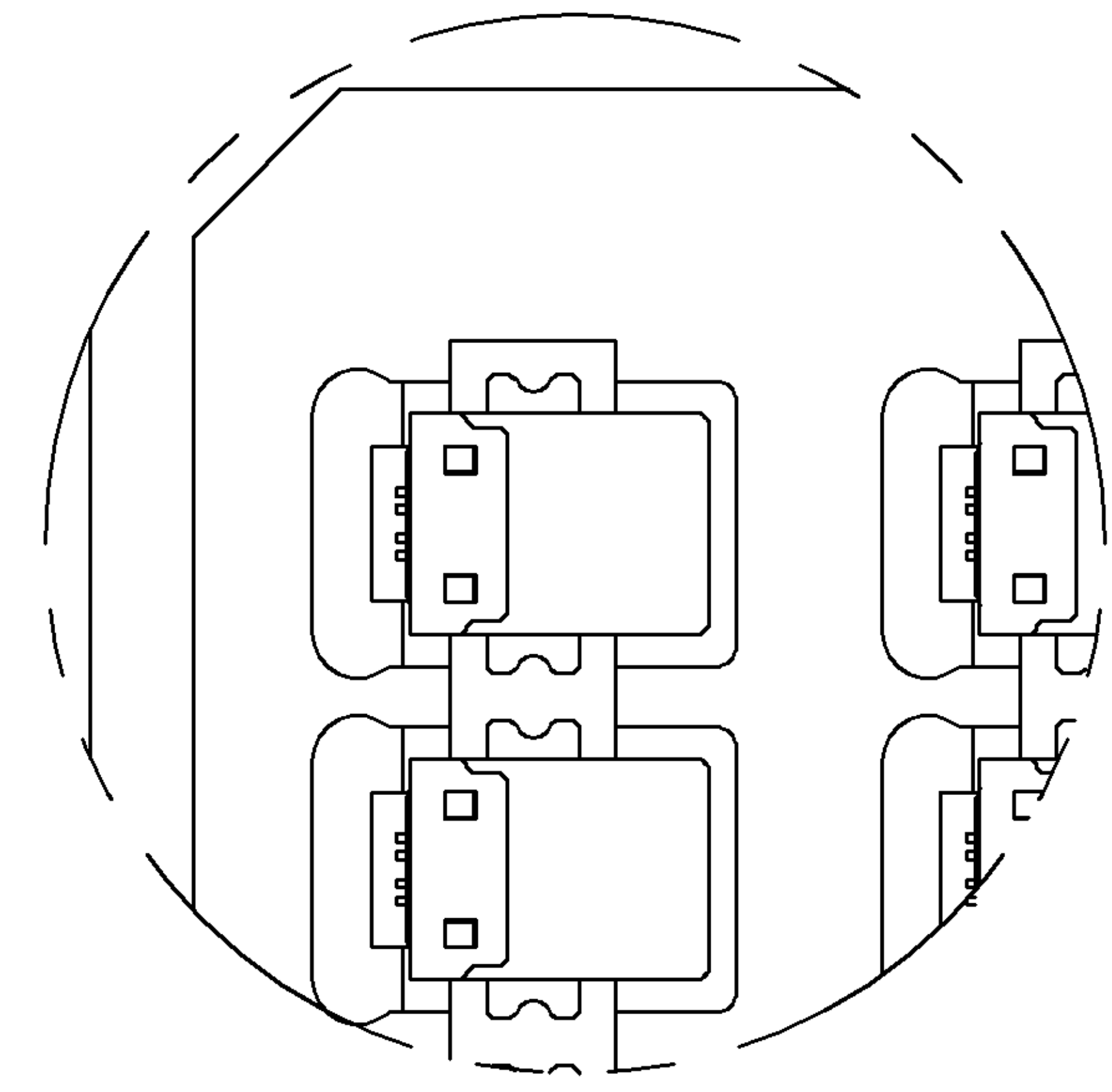
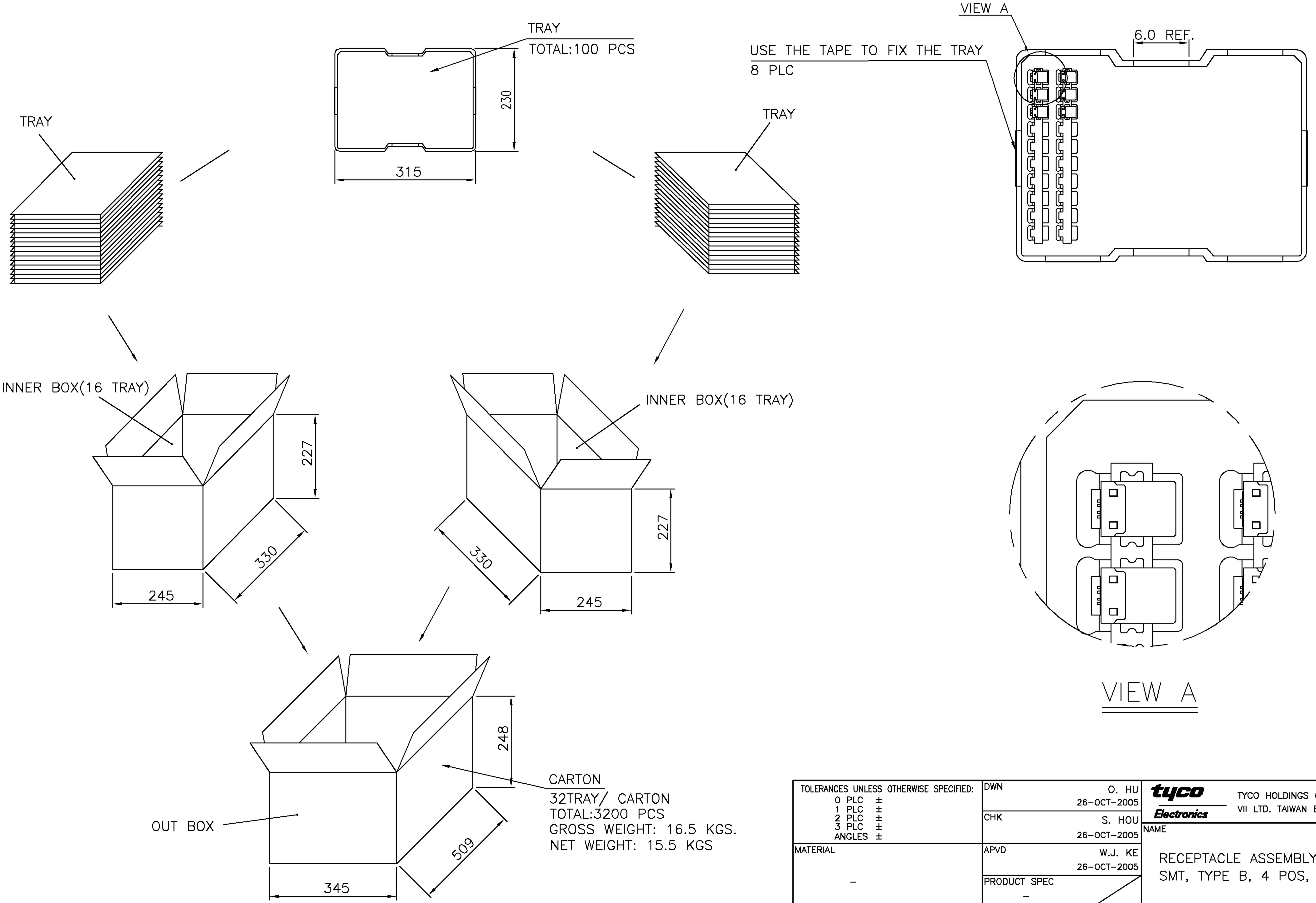
NUMBER  
C-788712



METRIC

THIS INFORMATION IS CONFIDENTIAL AND IS DISCLOSED TO YOU ON CONDITION THAT NO FURTHER DISCLOSURE IS MADE BY YOU TO OTHER THAN AMP PERSONNEL WITHOUT WRITTEN AUTHORIZATION FROM AMP (TAIWAN) LTD. DIMENSION IN MILLIMETERS. DO NOT SCALE PRINT.

PRINT DIST  
DW



TOLERANCES UNLESS OTHERWISE SPECIFIED:		DWN	O. HU	<b>tyco</b> Electronics	TYCO HOLDINGS (BERMUDA) VII LTD. TAIWAN BRANCH	
0 PLC ±	1 PLC ±	26-OCT-2005	26-OCT-2005		NAME	
2 PLC ±	3 PLC ±	APVD	S. HOU	RECEPTACLE ASSEMBLY, R/A, SMT, TYPE B, 4 POS, USB		
ANGLES ±		PRODUCT SPEC	26-OCT-2005	LOC SIZE DRAWING NO REV		
MATERIAL		APPLICATION SPEC	W.J. KE	DW <b>A</b> <sub>3</sub>	C-788712	G
		WEIGHT	26-OCT-2005	SCALE		SHEET
FINISH				--		2 OF 3

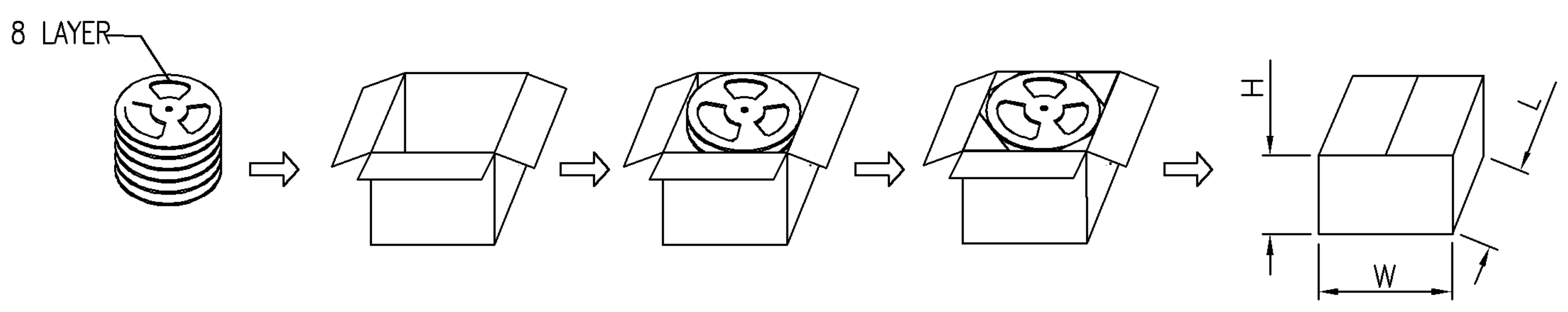
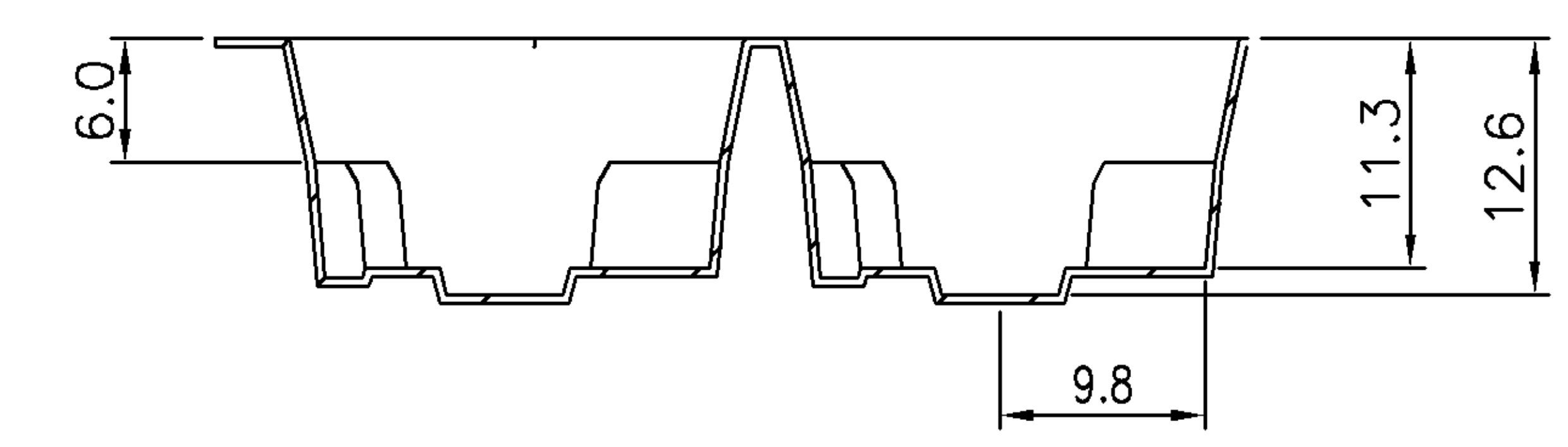
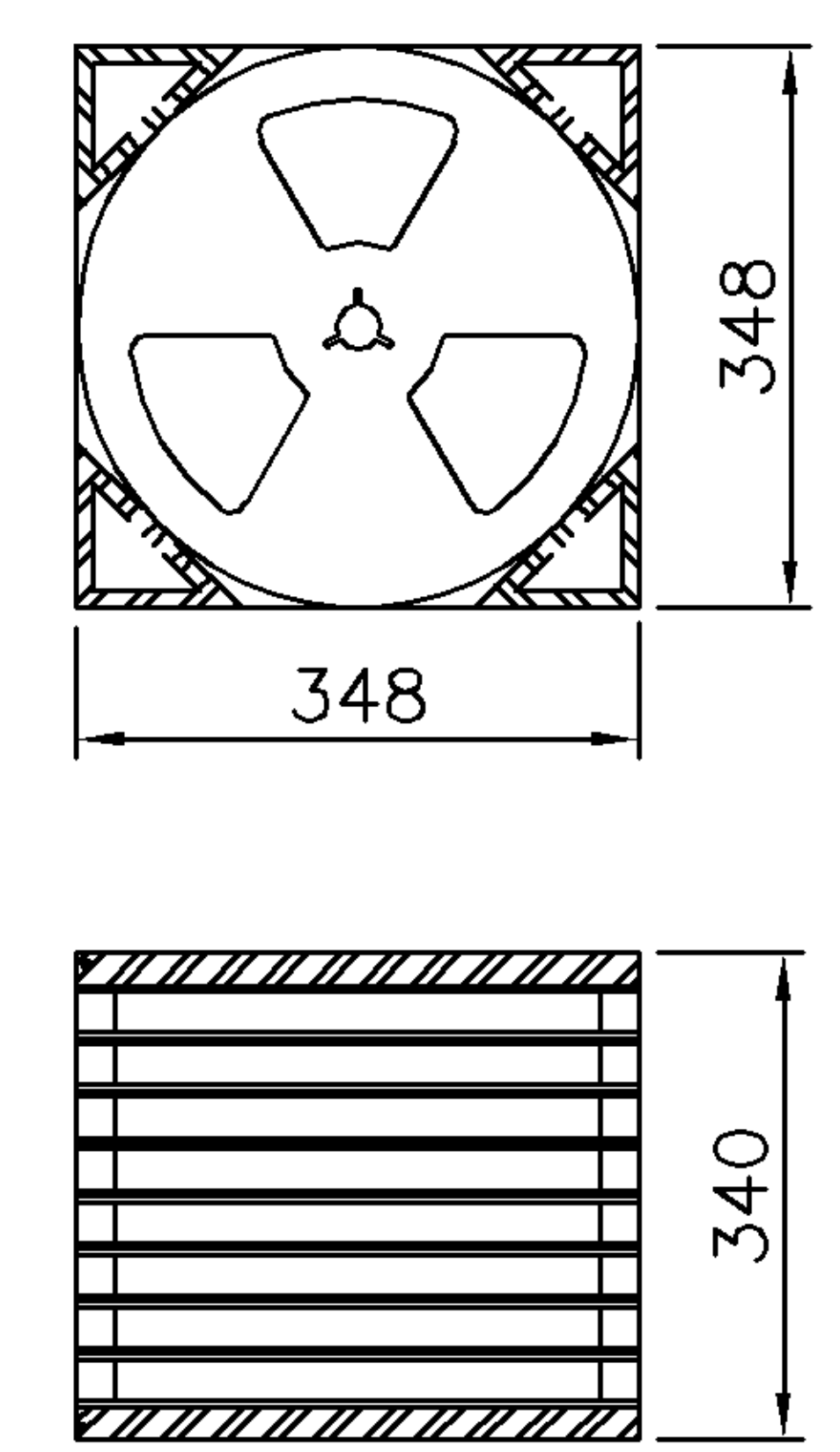
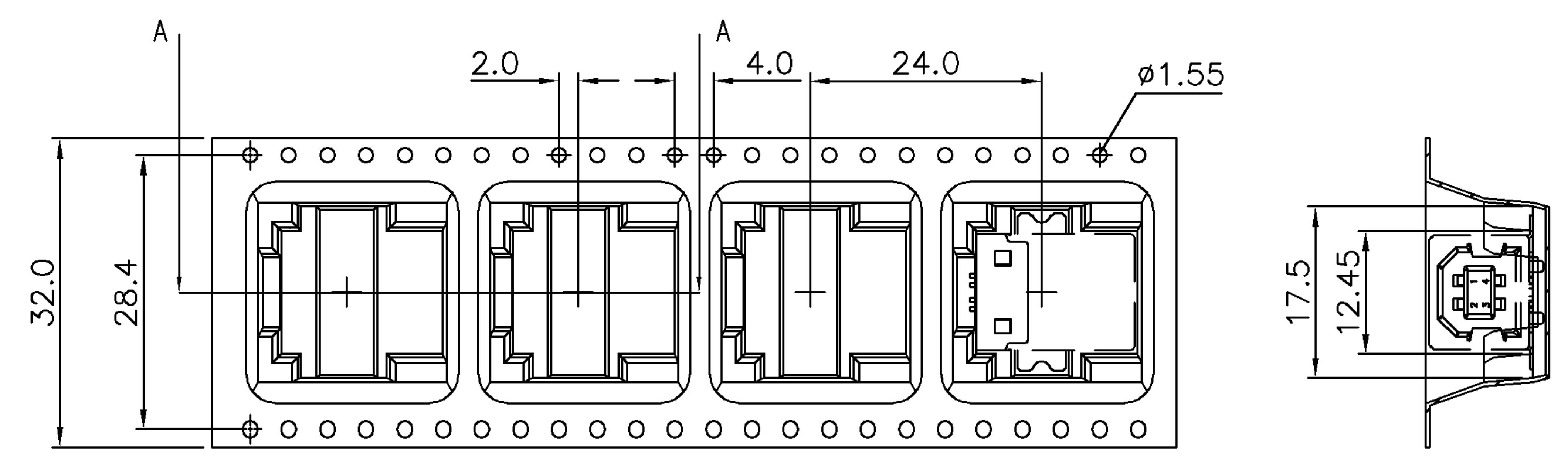
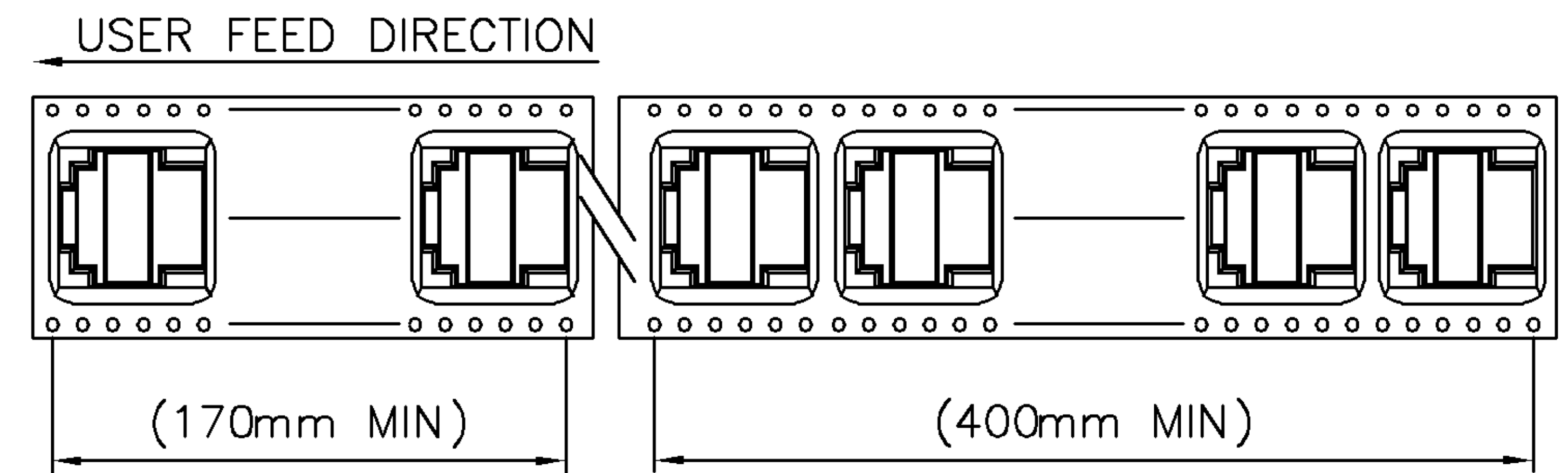
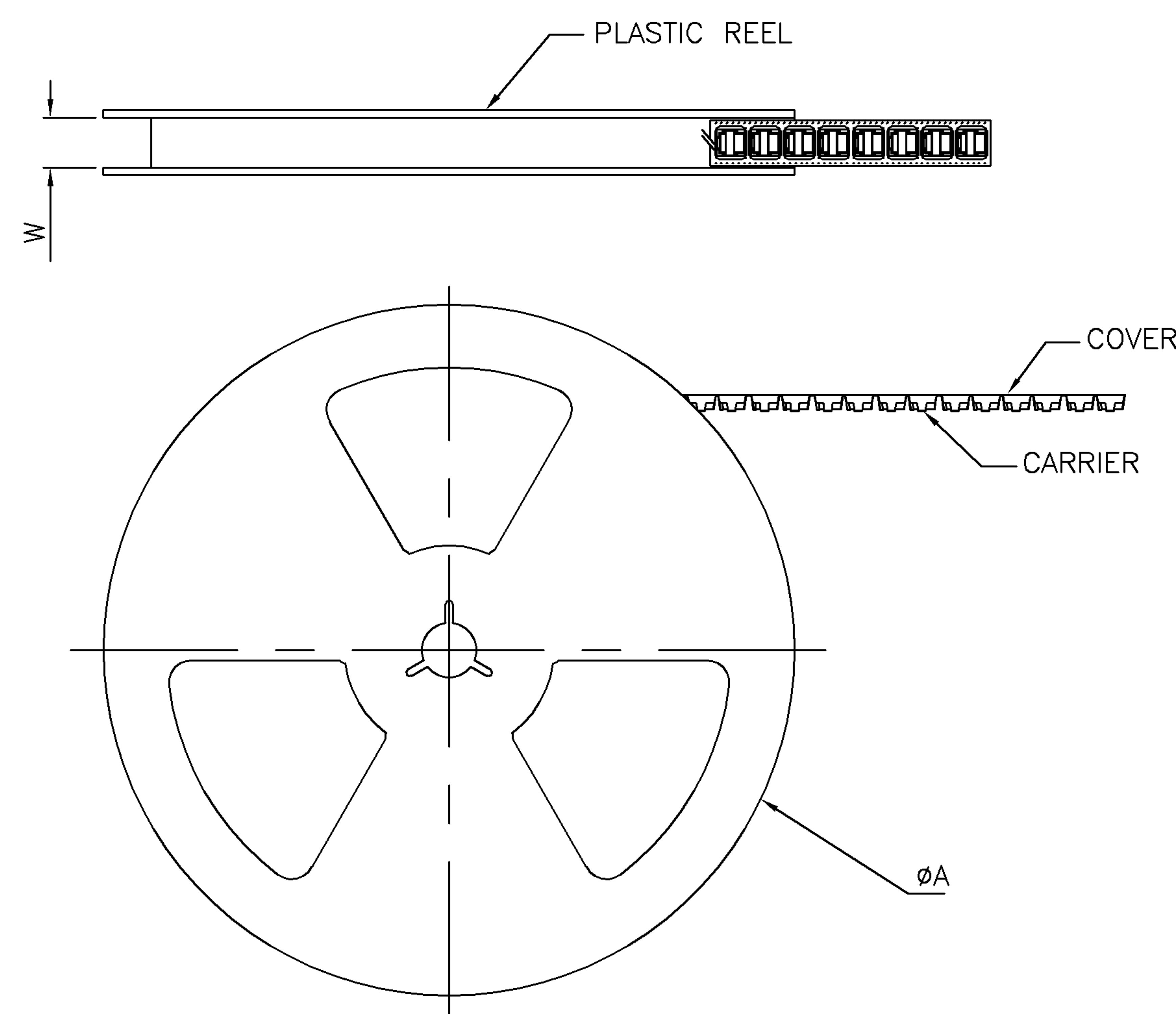
SEE SHEET 1.	ECN	DWN	CHK	DATE
LTR	REVISION RECORD			

NUMBER  
C-788712

METRIC  
3RD ANGLE PROJECTION

THIS INFORMATION IS CONFIDENTIAL AND IS DISCLOSED TO YOU ON CONDITION THAT NO FURTHER DISCLOSURE IS MADE BY YOU TO OTHER THAN AMP PERSONNEL WITHOUT WRITTEN AUTHORIZATION FROM AMP (TAIWAN) LTD. DIMENSION IN MILLIMETERS. DO NOT SCALE PRINT.

PRINT  
DW



- NOTE:
- MATERIAL:  
EMBOSSED CARRIER :PS .  
COVER TAPE :PET.  
SHIPPING CARTON : CORRUGATED FIBERBOARD.
  - DIMENSION:  
REEL : W=32,  $\phi A=330$ mm.  
SHIPPING CARTON : L=348, W=348, H=340mm.
  - QUANTITY:  
PRIMARY PACKING : 200 PCS/REEL.  
SECONDARY PACKING : 8 REEL/CARTON(1,600PCS).
  - WEIGHT:  
NET WEIGHT : 9.5kg.  
GROSS WEIGHT : 10.5kg.

	SEE SHEET 1.			
LTR	REVISION RECORD	ECN	DWN CHK	DATE

TOLERANCES UNLESS OTHERWISE SPECIFIED:		DWN	O. HU	 TYCO HOLDINGS (BERMUDA) VII LTD. TAIWAN BRANCH
0 PLC	±		26-OCT-2005	
1 PLC	±	CHK	S. HOU	NAME
2 PLC	±		26-OCT-2005	
3 PLC	±			RECEPTACLE ASSEMBLY, R/A, SMT, TYPE B, 4 POS, USB
ANGLES	±			
MATERIAL	-	APVD	W.J. KE	LOC
			26-OCT-2005	
FINISH	-	PRODUCT SPEC	-	SIZE
		APPLICATION SPEC	-	DRAWING NO
		WEIGHT	-	C-788712
				REV
				G
				SCALE
				SHEET
				3 OF 3