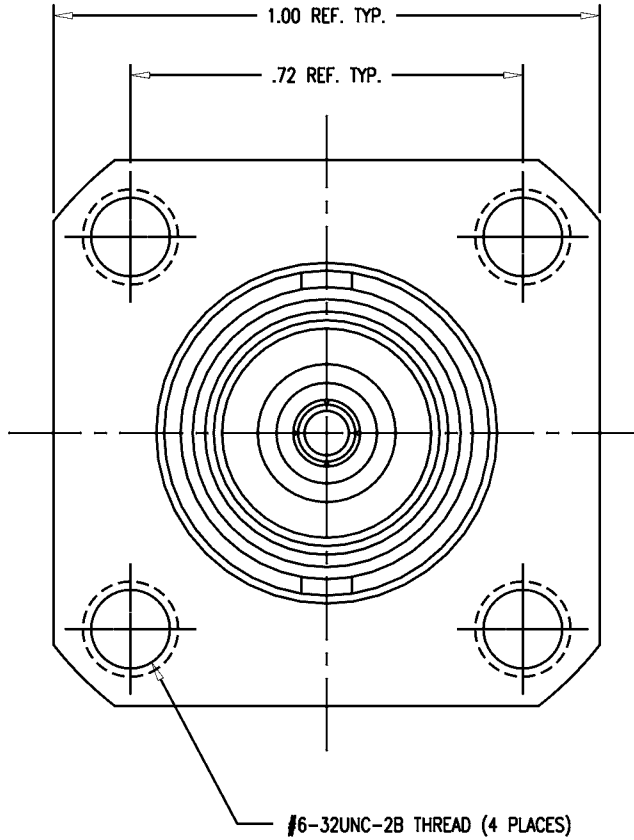
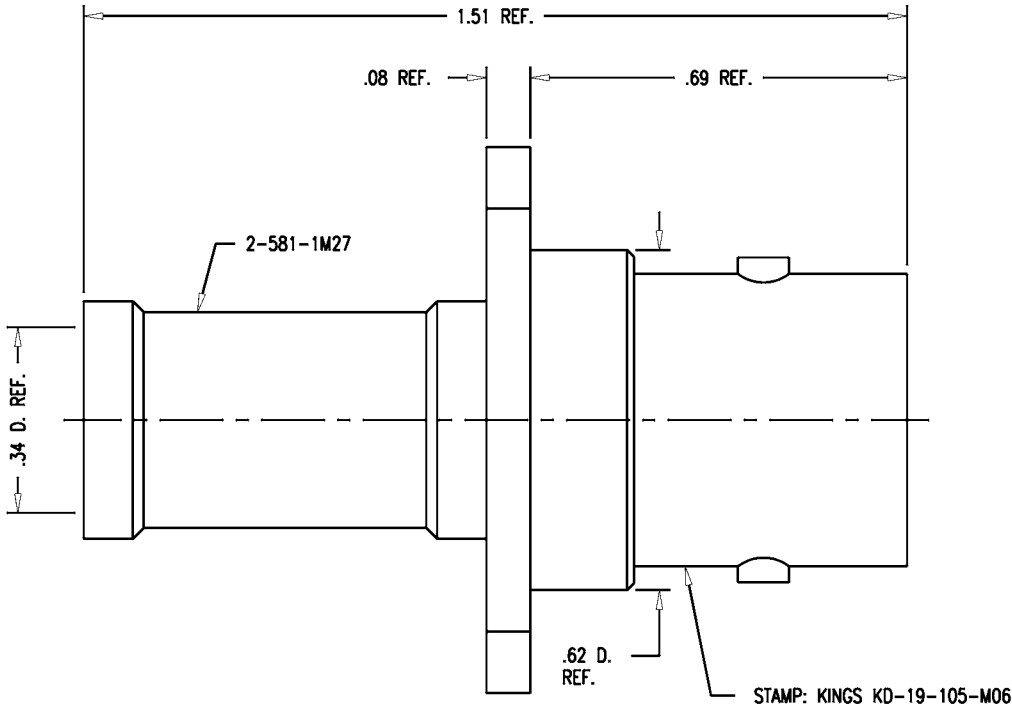


GSD

KD-19-105-M06



NOTES:

1. FOR USE WITH RAYCHEM 5012H3012 & ITT BA20048 CABLES.
2. FOR CABLING INSTRUCTIONS SEE CP-5402.
3. FOR CABLE TRIMMING USE KTJ-187 AND KTD-225.
4. FOR CRIMPING USE DIE KTH-2127.
5. INTERFACE PER MIL-STD-348, FIG. 302-2.
6. MARK PACKAGE: KINGS KD-19-105-M06
XXXX (DATE CODE)
7. CENTER CONTACT, 1-842-24MA9, TO BE SUPPLIED UNASSEMBLED.
8. MATERIALS:
INSULATOR-TEFLON, ASTM-D-1457
K-GRIP SLEEVE-COMMERCIAL BRONZE, ALLOY 220
CENTER CONTACT- BER. COP., ASTM-B-196
ALL OTHER METAL PARTS-BRASS, ASTM-B16
9. FINISHES:
CENTER CONTACT-GOLD PLATE PER MIL-G-45204
ALL OTHER METAL PARTS-KINGS TARNISH RESISTANT FINISH (TR-5)
10. ELECTRICAL CHARACTERISTICS:
NOMINAL IMPEDANCE-50 OHMS
WORKING VOLTAGE-1000 VRMS
FREQUENCY RANGE-DC TO 11 GHz

REVISIONS

ISSUE	CHANGES
5	CN 35103 C REDRAWN JCA 11/22/93

JCA4567

SCALE	4:1	
APPROX SURFACE AREA		
USED ON		
REF:	BOEING	
JACK, PANEL, C		
DRAWN	JCA	DATE 11/22/93
DESIGN	MJB	DATE 11/23/93
APPR.		DATE

KINGS
ELECTRONICS CO., INC.
TUCKAHOE, NEW YORK 10707

KD-19-105-M06

GSD