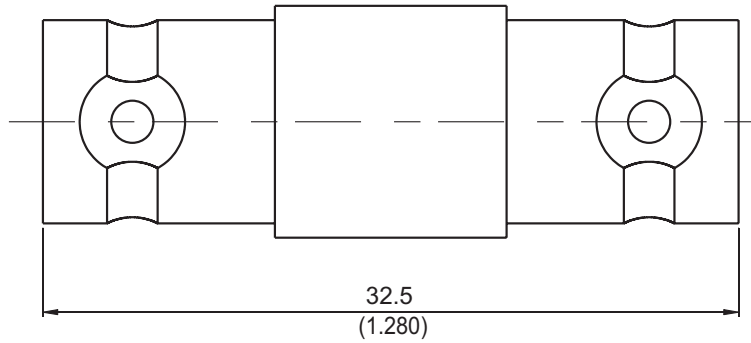


AD-B8B8

BNC Jack To BNC Jack

50Ω



Typical VSWR

Part Number	1 Ghz	2 Ghz	3 Ghz	4 Ghz
AD-B8B8	1.16	1.16	1.16	1.16

Parts	Material	Plating (Micro-inch)
Contact Pin	Phosphor Bronze	Gold 10 Over Nickel 50 Over Copper 50
Insulator	Teflon	
Body	Brass	Tin-Zinc-Copper-Alloy 100 Over Copper 50

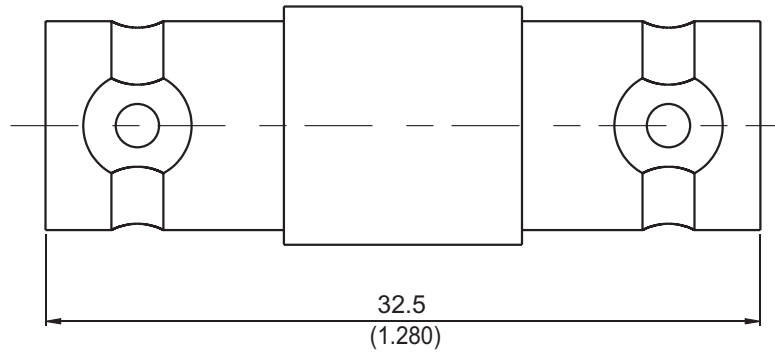
Weight: 10.5 g

Notice: JYEBAO reserves the right to make modifications deemed appropriate.

AD-B8B8-75

BNC Jack To BNC Jack

75Ω



Parts	Material	Plating (Micro-inch)
Contact Pin	Phosphor Bronze	Gold 10 Over Nickel 50 Over Copper 50
Insulator	Teflon	
Body	Brass	Tin-Zinc-Copper-Alloy 100 Over Copper 50

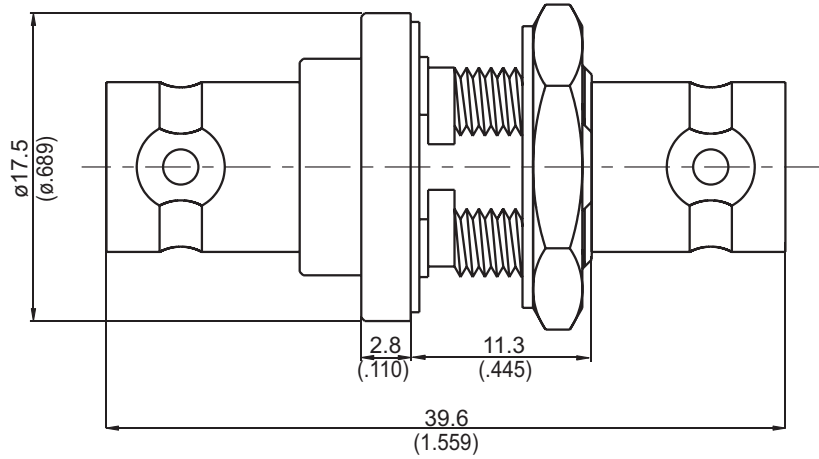
Weight: 10.16 g

Notice: JYEBAO reserves the right to make modifications deemed appropriate.

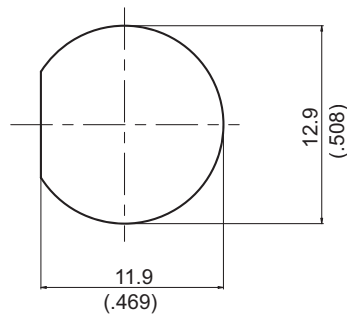
AD-B8B8-BF

BNC Jack To BNC Jack For Bulkhead

50Ω



MOUNTING HOLE :



Typical VSWR

Part Number	1 Ghz	2 Ghz	3 Ghz	4 Ghz
AD-B8B8-BF	1.21	1.21	1.22	1.22

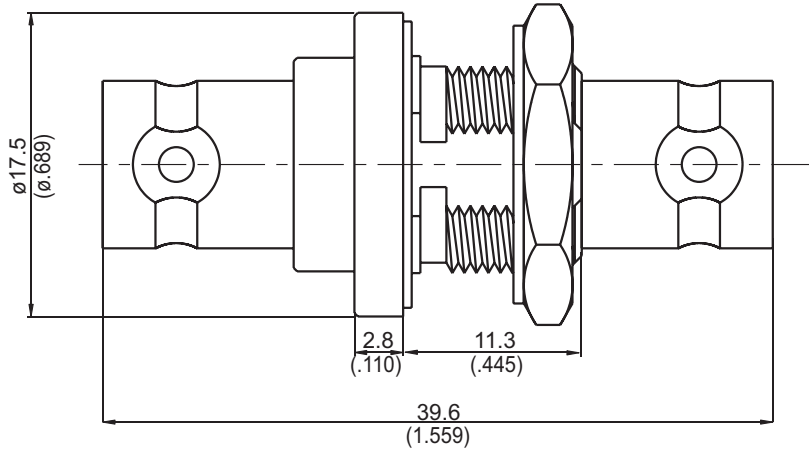
Parts	Material	Plating (Micro-inch)
Contact Pin	Phosphor Bronze	Gold 10 Over Nickel 50 Over Copper 50
Nut Hex	Brass	Tin-Zinc-Copper-Alloy 100 Over Copper 50
Washer	Brass	Tin-Zinc-Copper-Alloy 100 Over Copper 50
Gasket	Silicone	
Insulator	Teflon	
Body	Brass	Tin-Zinc-Copper-Alloy 100 Over Copper 50

Weight: 10.19 g

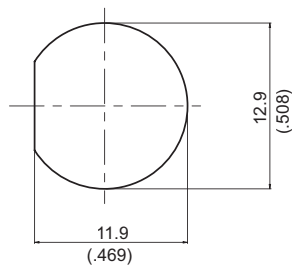
Notice: JYEBAO reserves the right to make modifications deemed appropriate.

AD-B8B8-BF-75

BNC Jack To BNC Jack For Bulkhead 75Ω



MOUNTING HOLE :



Typical VSWR

Part Number	1 Ghz	2 Ghz	3 Ghz	4 Ghz	5 Ghz	6 Ghz
AD-B8B8-BF-75	1.12	1.14	1.14	1.23	1.23	1.24

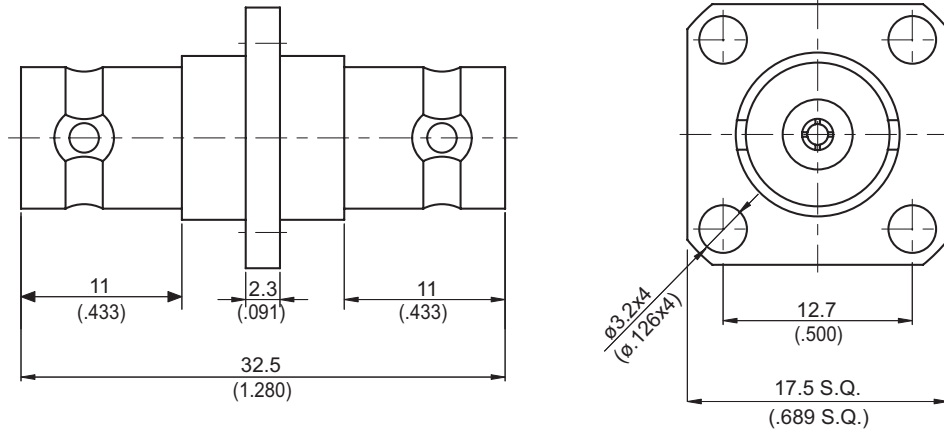
Parts	Material	Plating (Micro-inch)
Contact Pin	Phosphor Bronze	Gold 10 Over Nickel 50 Over Copper 50
Nut Hex	Brass	Tin-Zinc-Copper-Alloy 100 Over Copper 50
Washer	Brass	Tin-Zinc-Copper-Alloy 100 Over Copper 50
Gasket	Silicone	
Insulator	Teflon	
Body	Brass	Tin-Zinc-Copper-Alloy 100 Over Copper 50

Weight: 20.86 g

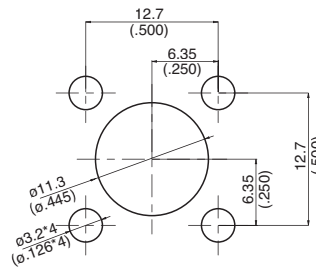
Notice: JYEBAO reserves the right to make modifications deemed appropriate.

AD-B8B8-P4

BNC Jack To BNC Jack For Panel Receptacle 50Ω



MOUNTING HOLE :



Typical VSWR

Part Number	1 Ghz	2 Ghz	3 Ghz	4 Ghz
AD-B8B8-P4	1.17	1.17	1.17	1.17

Parts	Material	Plating (Micro-inch)
Contact Pin	Phosphor Bronze	Gold 10 Over Nickel 50 Over Copper 50
Insulator	Teflon	
Body	Brass	Tin-Zinc-Copper-Alloy 100 Over Copper 50

Weight: 13.74 g

Notice: JYEBAO reserves the right to make modifications deemed appropriate.