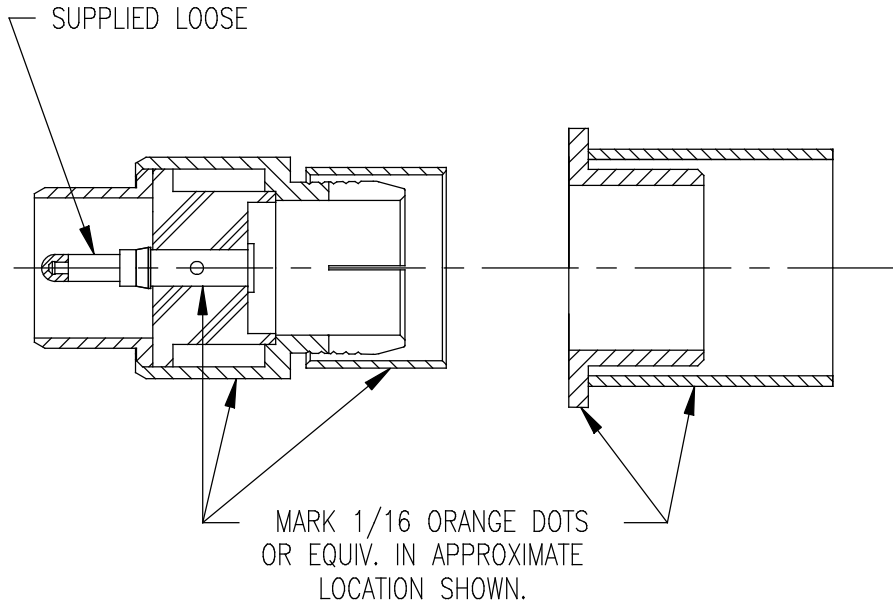


DASH NO.	M CODE	MADE FROM
----------	--------	-----------

GSD

785874	
REVISIONS	
ISSUE	CHANGES
0	ER 39844 HVN 03/19/07
785874 SD	



NOTES:

- FOR USE WITH 74 CABLE GROUP (BELDEN 9232).
- FOR CABLING INSTRUCTIONS SEE 3-651 (CONVENTIONAL METHOD) OR 3-711 (PRE-PREPARED DIMENSIONS).
- USE CRIMPING TOOL KTH-8000 WITH DIE KTH-8002
- MATERIALS:
 INSULATORS: TEFLON, ASTM-D-4894
 K-GRIP SLEEVES: COM BRONZE, ASTM-B140
 CENTER CONTACT TIP: DELRIN
 ALL OTHER METAL PARTS: BRASS, ASTM-B16
- FINISHES:
 CENTER AND OUTER CONTACT: HARD GOLD PLATE, PER ASTM-B488
 ALL OTHER METAL PARTS: KINGS TARNISH RESISTANT NICKEL FINISH (TR-5)
- ELECTRICAL CHARACTERISTICS:
 NOMINAL IMPEDANCE: 75 OHMS
 FREQUENCY RANGE: DC-3.0 GHz

SCALE	
APPROX SURFACE AREA	
USED ON	
REF:	
RETRO-FIT ASSY	
DRAWN	HVN DATE 03/19/07
DESIGN	HVN DATE 03/15/07
APPR.	DATE

KINGS
ELECTRONICS CO., INC.
ROCK HILL, SOUTH CAROLINA 29730

GSD

785874