

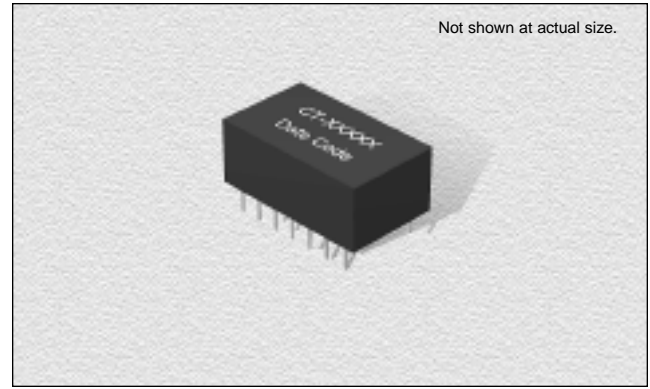
T1/CEPT/ISDN-PRI

Dual Through-Hole

APPLICATIONS

- Dual surface mount package contains both transmit & receive.
- Models matched to leading transceiver ICs.
- UL 1459 Recognized
- Isolation Voltage: 1500 Vrms

Electrical Characteristics @ 25°C



ORDER INFO

Standard Temperature Range Dual Transformers
Operating Temperature 0°C to +70°C

Part Number	Turns Ratio (pri:sec ± 5%)	OCL@ 25°C (mH Min.)	Cw/w (pF Max.)	LL sec (μH Max.)	DCR pri (Ω Max.)	DCR sec (Ω Max.)	Package/ Schematic	Primary Pins
CT-64951	1:2CT & 1:2CT	1.20 & 1.20	35 & 35	0.50 & 0.50	0.70 & 0.70	1.20 & 1.20	ND-1/1G	14-12, 5-7
CT-64952	1:2CT & 1:1.36	1.20 & 1.20	35 & 35	0.50 & 0.80	0.80 & 0.80	1.20 & 1.00	ND-1/2G	14-12, 5-7
CT-64953	1:2CT & 1:2CT	2.00 & 2.00	50 & 50	0.60 & 0.60	1.00 & 1.00	2.00 & 2.00	ND-1/3G	14-12, 10-8
CT-64954	1CT:2CT & 1:1	1.20 & 1.20	30 & 30	0.55 & 0.50	0.70 & 0.70	1.20 & 0.70	ND-1/4G	1-3, 5-7
CT-64955	1.58:2CT & 1.58:1	0.80 & 0.80	30 & 30	0.50 & 0.50	0.60 & 0.60	0.70 & 0.30	ND-1/5G	1-3, 5-7
CT-64956	1:1CT & 2:1	1.80 & 0.80	30 & 30	0.60 & 0.60	0.50 & 0.50	0.50 & 0.20	ND-1/5G	1-3, 5-7
CT-64957	1.31:1CT & 2.62:1	1.20 & 1.20	30 & 30	0.80 & 0.80	0.60 & 0.60	0.50 & 0.30	ND-1/5G	1-3, 5-7
CT-65565	1:1.15CT & 1:2CT	1.50 & 1.20	35 & 40	0.60 & 0.50	0.70 & 0.70	1.10 & 1.30	MD-1/1G	14-12, 5-7
CT-65566	1:1/1.26 & 1:2CT	1.50 & 1.20	40 & 40	0.50 & 0.40	0.70 & 0.70	0.90 & 1.30	MD-1/1G	14-12, 5-7

Extended Temperature Range Dual Transformers
Operating Temperature -40°C to +85°C

Part Number	Turns Ratio (pri:sec ± 5%)	OCL@ 25°C (mH Min.)	Cw/w (pF Max.)	LL sec (μH Max.)	DCR pri (Ω Max.)	DCR sec (Ω Max.)	Package/ Schematic	Primary Pins
CT-65567	1:1.15CT & 1:2CT	1.50 & 1.20	40 & 60	0.80 & 0.80	0.90 & 0.90	1.10 & 1.70	MD-1/1G	14-12, 5-7
CT-65568	1:1/1.26 & 1:2 CT	1.50 & 1.20	50 & 60	0.80 & 0.80	0.90 & 0.90	1.10 & 1.70	MD-1/1G	14-12, 5-7
CT-65774	1CT:2CT & 1:1.36CT	1.20 & 1.20	50 & 50	0.96 & 0.80	1.00 & 1.00	1.70 & 1.20	MD-1/8G	14-12, 5-7
CT-68618	1CT:1CT & 3CT:1CT:0.25	1.20 & 32.0	40 & 65	0.80 & 0.80	1.00 & 3.00	1.00 & 1.20	QD-1/7G	1-3, 11-9
CT-64950	1CT:1CT & 1CT:3CT:1	1.20 & 1.20	40 & 40	0.80 & 0.80	1.00 & 0.80	1.00 & 2.00	QD-1/7G	1-3, 4-6

03.10.03



Manufacturer of Inductors, Chokes, Coils, Beads, Transformers & Toroids

800-684-5322 Inside US 949-453-1811 Outside US

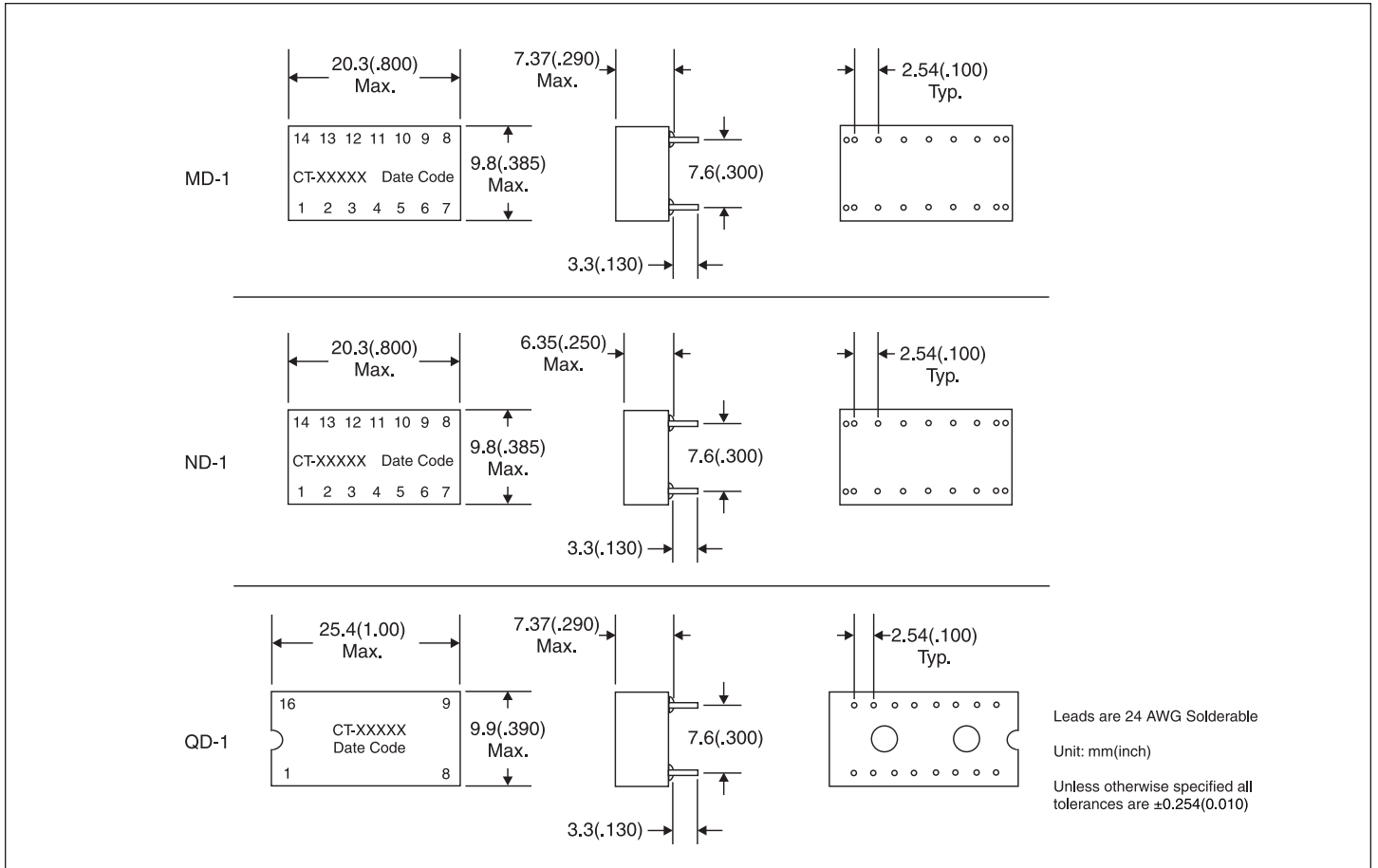
Copyright © 2004 by CT Magnetics, DBA Central Technologies. All rights reserved.

CT Magnetics reserves the right to make improvements or change specifications without notice

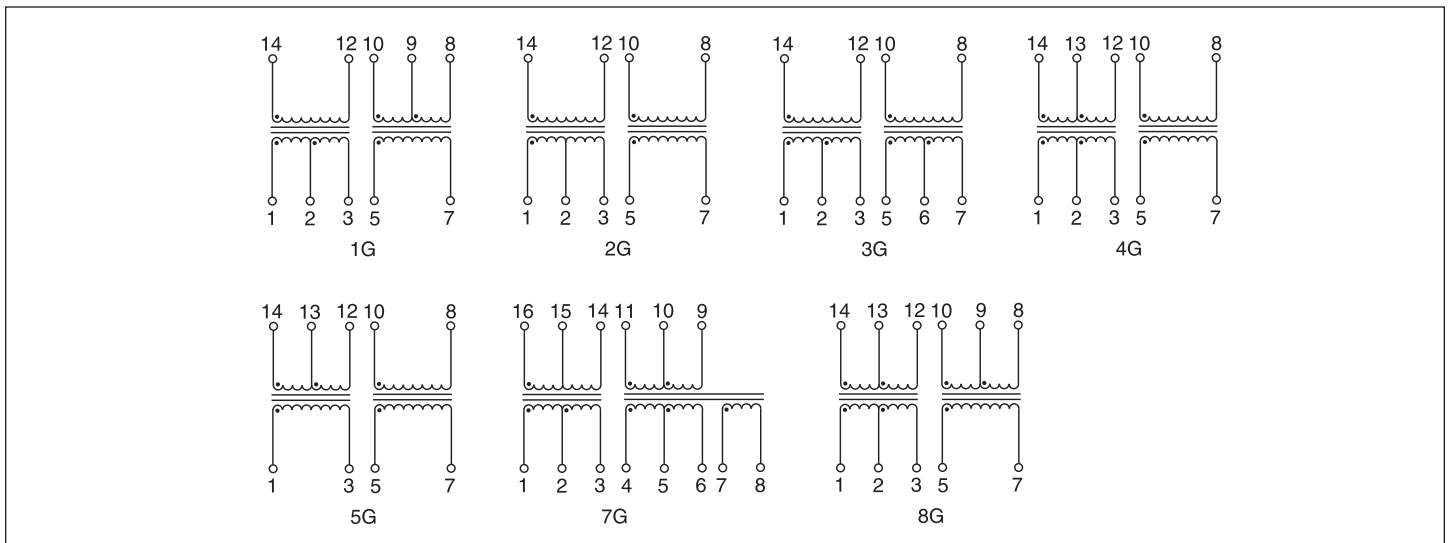
T1/CEPT/ISDN-PRI

Dual Through-Hole

PHYSICAL DIMENSIONS (PACKAGE)



SCHEMATICS



03.10.03



Manufacturer of Inductors, Chokes, Coils, Beads, Transformers & Toroids

800-684-5322 Inside US 949-453-1811 Outside US

Copyright © 2004 by CT Magnetics, DBA Central Technologies. All rights reserved.

CT Magnetics reserves the right to make improvements or change specifications without notice