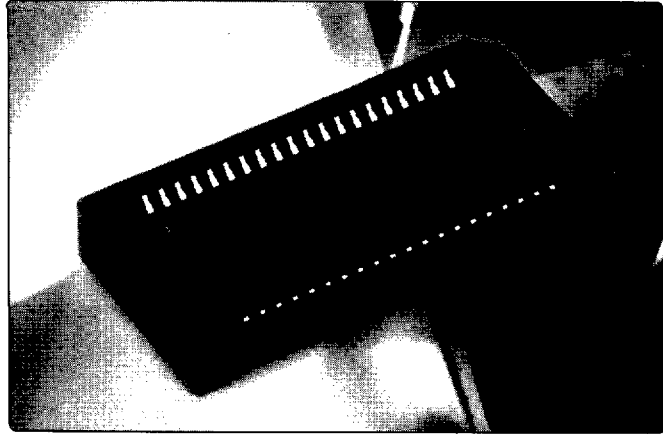




LEADERSHIP in
Connector Design

KYCON



Surface Mount SOJ Sockets

Features

- Applications Include All Electronic PC Boards Requiring the Use of a Socket with Same Footprint as Most Common DRAM, SRAM, and VRAM Plastic Leaded Chip Carriers
- Accepts Molded Plastic Chip Carriers Conforming to JEDEC Small Outline (SOJ) Package Configuration
- Visual and Mechanical Polarization for SOJ Insertion
- Open Frame Design for Ease of Contact Inspection and Repair
- Optional PCB Polarization Pins Available
- Extraction Tool Slots
- Open Top Design for Cooler Running Chip Carrier
- Automatic Insertion Machine Compatible

Performance Specifications

Body

PPS Thermoplastic, Brown Color, 40% Glass Filled, Self Extinguishing, UL94V-0 Rated



Contact Material

Phosphor Bronze

Contact Finish

Tin over Nickel Plating

Electrical Characteristics

Contact Current Rating

1 Amp

Contact Resistance

30 Milliohms Max.

Dielectric Withstanding Voltage

600 VAC Min. for 1 Minute

Insulation Resistance

1000 Megohms Min.

Operating Temperature

-55°C to +125°C

KYCON Chip Carrier Sockets

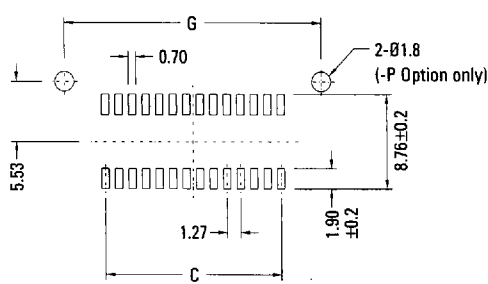
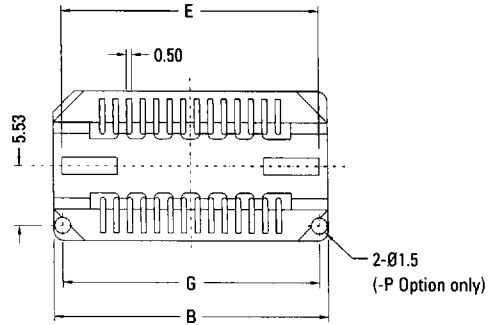
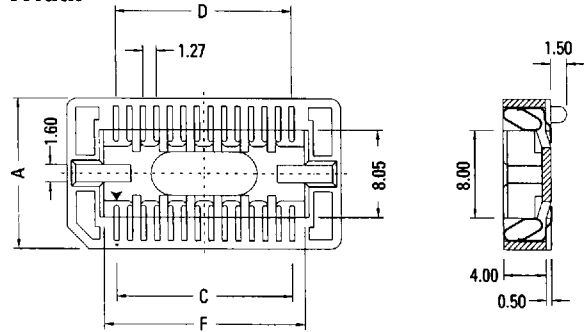
<http://www.kycon.com> (888)KYCON-22

Ordering Information

KSOJ	-	3	32	-	N	
Series	Spacing	Number of Pins	N: Non Polarized P: Polarized PC: Polarized with C Type Pegs (.4" Only)	Packaging	Blank: Tubes TR: Tape and Reel	
	3: .3" 4: .4"					

KSOJ Series Dimensions

0.3" Width

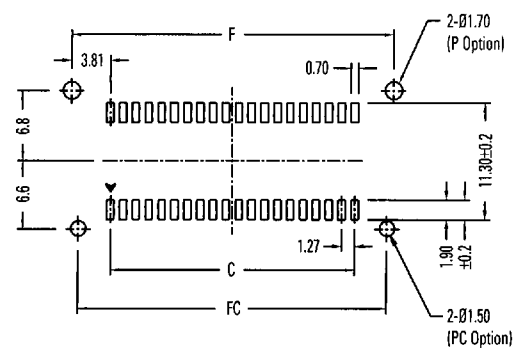
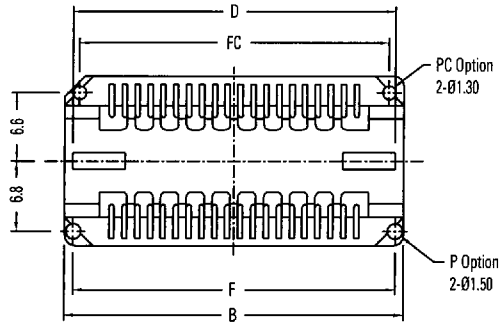
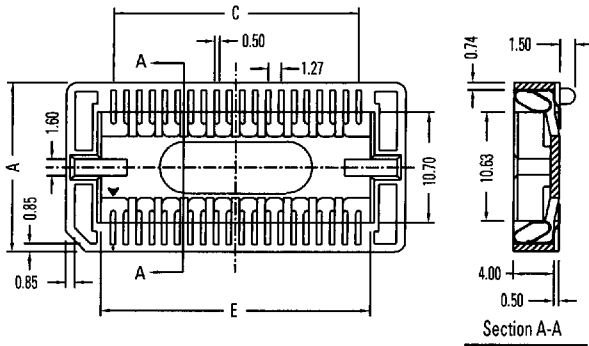


Recommended PCB Layout
(Top View)

Dimensions in mm

Number of Contacts	A ±0.2	B ±0.2	C ±0.1	D ±0.1	E ±0.2	F ±0.2	G ±0.2
24	13.87	23.26	13.97	13.97	21.64	16.36	21.59
26	13.87	24.53	15.24	15.24	22.91	17.63	22.86
28	13.87	25.80	16.51	16.51	24.18	18.90	24.13
32	13.87	28.34	19.05	19.05	26.72	21.44	26.67

KS0J Series Dimensions
0.4" Width

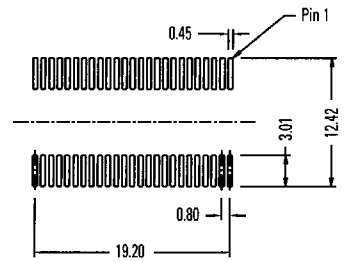
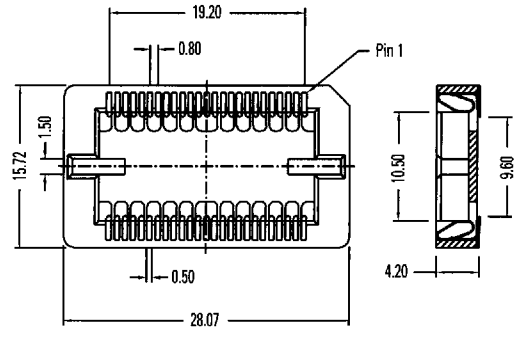


Recommended PCB Layout
(Top View)

Dimensions in mm

Number of Contacts	A ±0.2	B ±0.2	C ±0.1	D ±0.1	E ±0.2	F ±0.2	FC ±0.2
28	16.41	25.78	16.51	24.18	18.88	24.13	22.86
32	16.41	28.32	19.05	26.72	21.42	26.67	25.40
40	16.41	33.40	24.13	31.80	26.05	31.75	30.48
42	16.81	34.67	25.40	33.07	27.77	33.02	31.75
44	16.81	35.94	26.67	34.34	29.04	34.29	33.02

KS0J Series Dimensions
0.4" Width, 50 Contacts
0.8mm Pitch

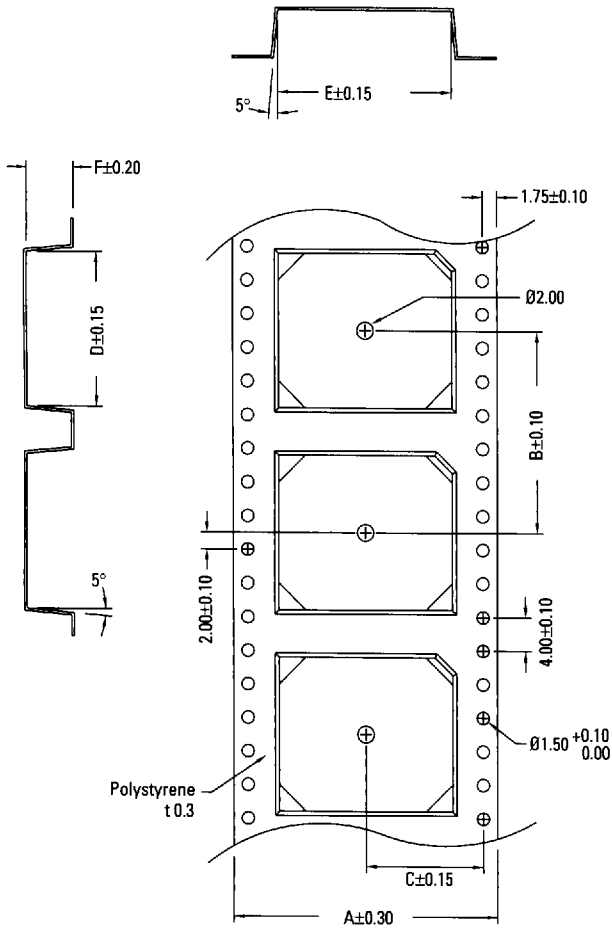


Recommended PCB Layout
(Top View)

9005174 0000482 428

Tape and Reel Packaging

for Surface Mount SOJ Sockets
and Surface Mount PLCC Sockets



Surface Mount PLCC Sockets

No. of Contacts	A	B	C	D	E	F
20	24.00	20.00	10.25	15.74	15.74	5.70
28	32.00	24.00	14.25	18.31	18.31	5.70
32	32.00	24.00	14.20	18.35	21.00	5.70
44	44.00	32.00	20.20	23.95	23.95	5.70
52	44.00	32.00	20.25	25.90	25.90	5.70
68	44.00	36.00	20.25	31.38	31.38	5.70
84	56.00	40.00	26.20	36.54	36.54	5.70

SOJ Sockets

Part Number	A	B	C	D	E	F
KSOJ-328-N	44.00	20.00	20.20	15.05	26.90	5.50
KSOJ-332-N	44.00	20.00	20.20	15.65	29.75	5.50
KSOJ-440-N	44.00	24.00	20.20	17.75	34.05	5.75
KSOJ-450-N	44.00	24.00	20.20	17.05	28.75	5.75

Dimensions in mm

9005174 0000483 364