

0.8mm Contact Spacing • Through-hole Type • EMI Shielded  
P.C.Board to P.C.Board (Between Units) Application (Vertical/Horizontal)

# JAE

## KX20 Series Connectors

### FEATURES

#### ●Types

No. of Contacts		Connection style
2 rows	4 rows	
50, 80	100, 240	Vertical
—	100, 200	Horizontal

- Twist-resistant ribbon contacts (surface contacting) offer a greater degree of reliability.
- Sequential mating / breaking contacts:  
50, 80, 100 contacts: 2 step mating / breaking  
200, 240 contacts : 3 step mating / breaking
- Rugged metallic shell suitable for device interconnection.
- Twist-resistant mating guides offset  $\pm 1.5\text{mm}$  misalignment when mating.

No. of Contacts	Tolerance
50, 80, 100	$\pm 1\text{mm}$
200, 240	$\pm 3\text{mm}$

- EMI shielded

### APPLICATIONS

Notebook computers, docking stations for PDA, etc., and packaging of FDD, HDD

### TYPES & COMBINATIONS

- Click the button.



### GENERAL SPECIFICATIONS

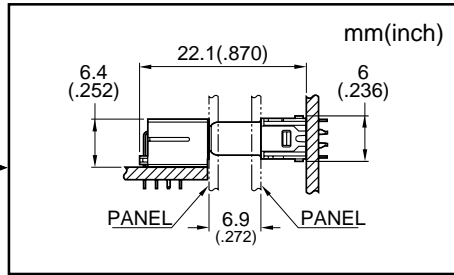
<b>No. of Contacts</b>	2 rows : 50, 80 4 rows : 100, 200, 240
<b>Current Rating</b>	0.5 Amps
<b>D.W.Voltage</b>	250 VACr.m.s. (for one minute)
<b>Insulation Resistance</b>	100 megohms min.
<b>Contact Resistance</b>	70 milliohms max.
<b>Operating Temperature</b>	-40°C to +80°C

\* The products and specifications contained in this catalog are subject to change without notice. When considering use of or placing an order for products included in this catalog, please check first with our sales department.

## TYPES & COMBINATIONS

### Receptacle

- 2 rows, 50 and 80 contacts
- Right-angle through-hole
- P/N : KX20-**\***RA-LT-H

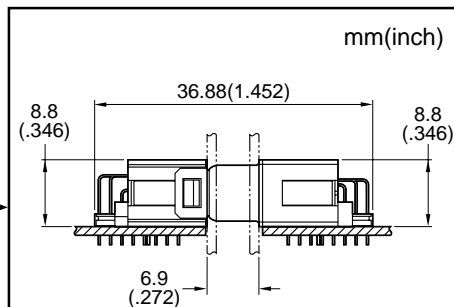
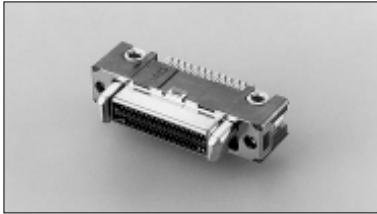


### Plug

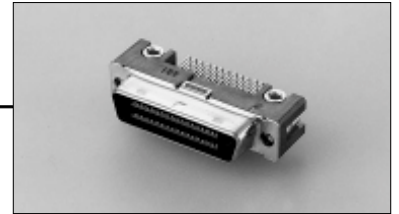
- 2 rows, 50 and 80 contacts
- Straight through-hole
- P/N : KX20-**\***B-ST1-H



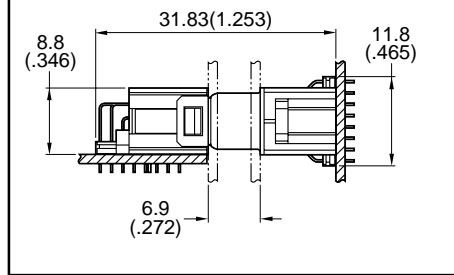
- 4 rows, 100 contacts
- Right-angle through-hole
- P/N : KX20-100R-F2LT-A1H



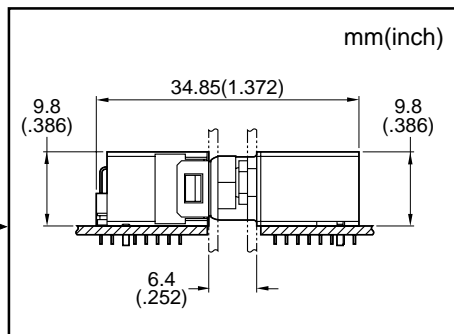
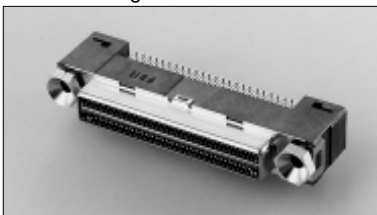
- 4 rows, 100 contacts
- Right-angle through-hole
- P/N : KX20-100B-F2LT-A1H



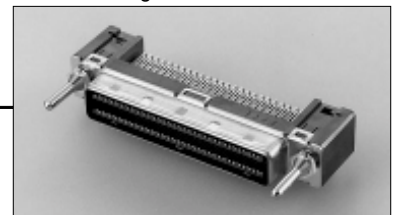
- 4 rows, 100 contacts
- Straight through-hole
- P/N : KX20-100B-F2ST-A1



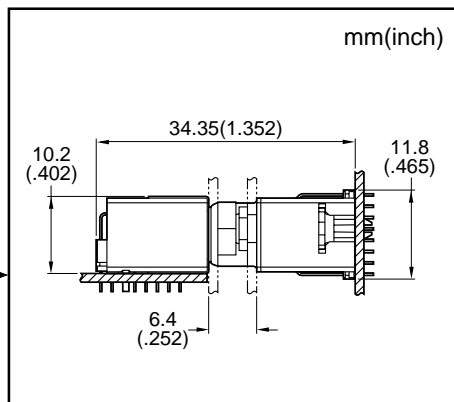
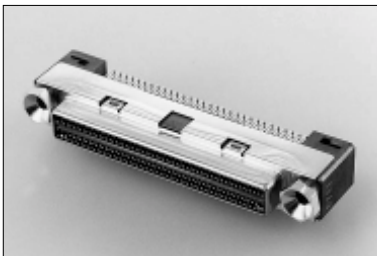
- 4 rows, 200 contacts
- Right-angle through-hole
- P/N : KX20-200RG-F2LT
- With metallic guide



- 4 rows, 200 contacts
- Right-angle through-hole
- P/N : KX20-200BG-F2LT
- With metallic guide



- 4 rows, 240 contacts
- Right-angle through-hole
- P/N : KX20-240RG-F2LT
- Metallic guide (optional)
- P/N : KX20-GS1



- 4 rows, 240 contacts
- Straight through-hole
- P/N : KX20-240BG-F2ST
- Metallic guide (optional)
- P/N : KX20-GS7

