

InGaAs Pin Photodiode in ST Receptacle

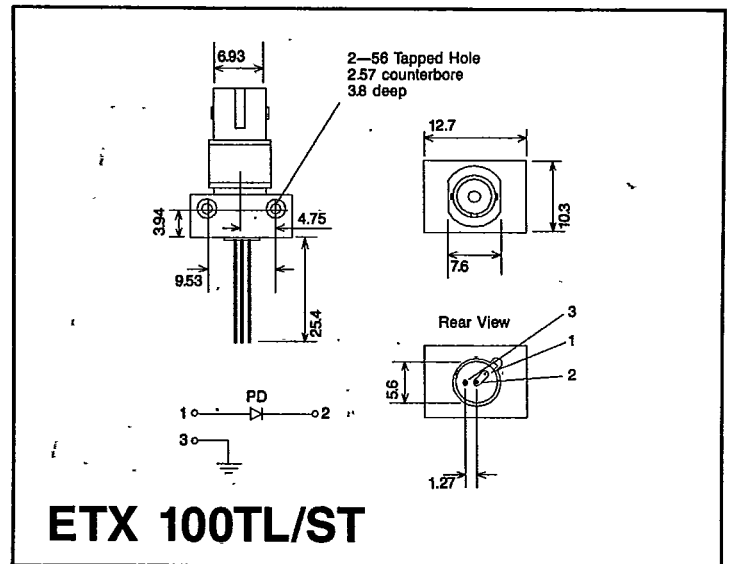
Description:

EPITAXX ETX 100TL/ST is a high speed planar InGaAs PIN photodiode mounted in an ST connector receptacle. It is designed for board or panel mounting in short haul telecom or datacom receivers. It can operate with either multimode or singlemode fibers. Receptacled devices are an alternative to using a connectorized pigtail termination.

Features:

- simple, rugged design
- high reliability
- low dark current, low capacitance
- high response
- accepts SM or MM connectors

Dimensions:



Maximum Ratings:

Parameter	Rating
Reverse Voltage	25V
Reverse Current	1mA
Forward Current	10mA
Operating Temperature	- 40/ + 85C
Storage Temperature	- 40/ + 85C

Optical/Electrical Characteristics (@ 25C)

Parameter	Conditions	Min	Typ	Max	Unit
Active Diameter			100		μm
Responsivity	$\lambda=1300\text{nm}$ 50 μm GI fiber	0.60	0.75		A/W
Dark Current	$V_R=5\text{V}$		0.5	5	nA
Noise Current	$f=10\text{kHz}$		0.2		$\text{pA}/\sqrt{\text{Hz}}$
Total Capacitance	$V_R=5\text{V}$		1.5	2.0	pF
Bandwidth	$V_R=5\text{V}, 50\Omega, -3\text{dB}$		1000		MHz
Rise/Fall time	$V_R=5\text{V}, R_L=50\Omega$			1	nS

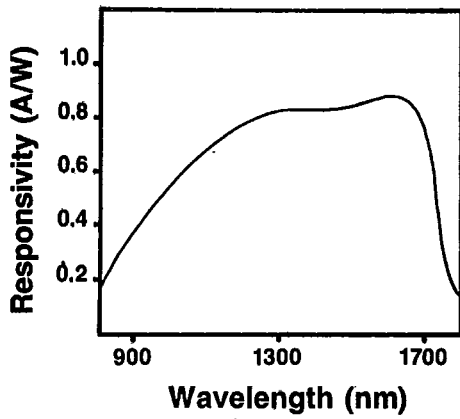
Corporate Headquarters

West Coast Sales Office

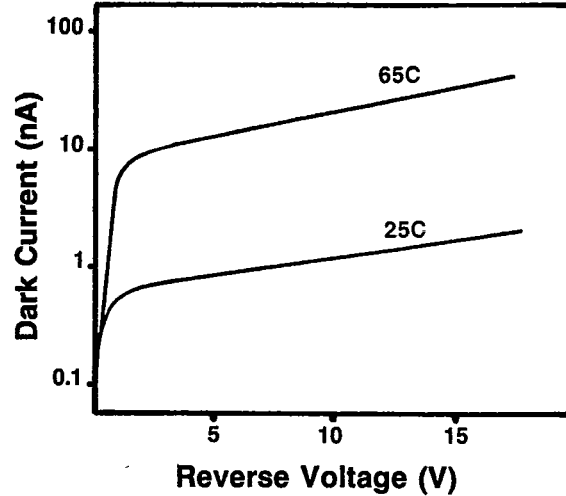
3490 US Route 1 • Princeton, NJ 08540
(609) 452-1188 • TLX: 759363 • FAX: (609) 452-0824

2121 Ave. of the Stars, 6 Fl • Los Angeles, CA 90067
(213) 551-6507 • FAX (213) 551-6577

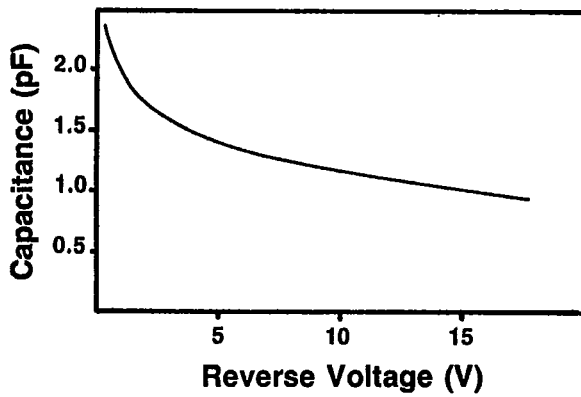
SPECTRAL RESPONSE



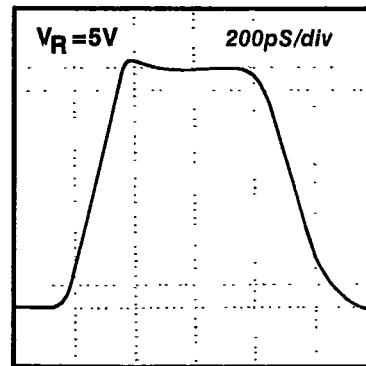
I-V CHARACTERISTIC



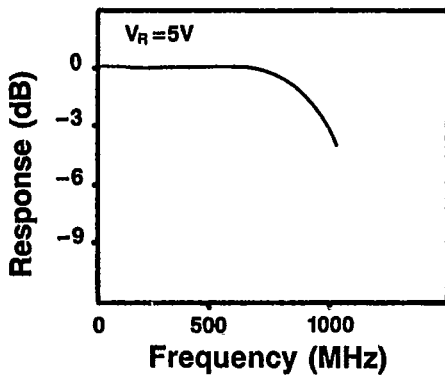
C-V CHARACTERISTIC



PULSE RESPONSE



BANDWIDTH



Options:

- Other receptacles available: BC (Biconic), FC, SMA.

Disclaimer

Epitaxx, Inc., believes the information contained in this document to be accurate. However, no responsibility is assumed for its use nor for any infringement of the rights of third parties. Right to introduce changes without notice is reserved.

ST is a registered trademark of AT&T.