

# TL441AM LOGARITHMIC AMPLIFIER

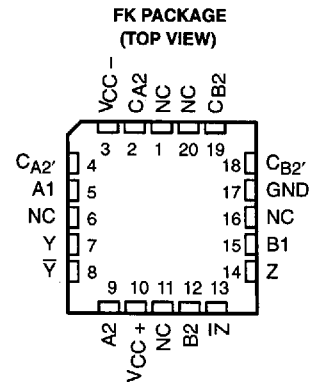
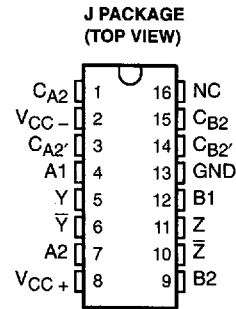
SLFS038 - JUNE 1976 - REVISED FEBRUARY 1989

- Excellent Dynamic Range
- Wide Bandwidth
- Built-In Temperature Compensation
- Log Linearity (30 dB Sections) . . . 1 dB Typ
- Wide Input Voltage Range

## description

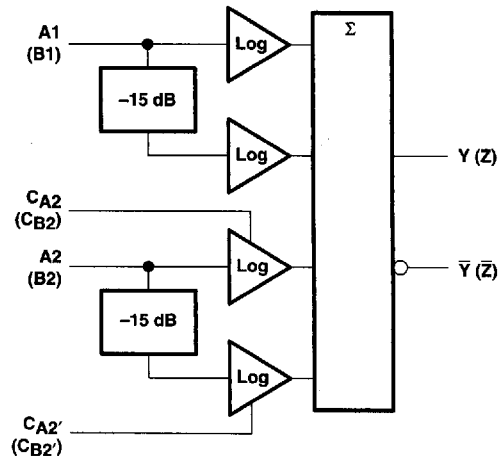
This monolithic amplifier circuit contains four 30-dB logarithmic stages. Gain in each stage is such that the output of each stage is proportional to the logarithm of the input voltage over the 30-dB input voltage range. Each half of the circuit contains two of these 30-dB stages summed together in one differential output that is proportional to the sum of the logarithms of the input voltages of the two stages. The four stages may be interconnected to obtain a theoretical input voltage range of 120-dB. In practice, this permits the input voltage range to be typically greater than 80-dB with log linearity of  $\pm 0.5$ -dB (see application data). Bandwidth is from dc to 40 MHz.

This circuit is useful in military weapons systems, broadband radar, and infrared reconnaissance systems. It serves for data compression and analog compensation. This logarithmic amplifier is used in log IF circuitry as well as video and log amplifiers. The TL441AM is characterized for operation over the full military temperature range of  $-55^{\circ}\text{C}$  to  $125^{\circ}\text{C}$ .



NC — No internal connection

## functional block diagram (one half)



$Y \approx \log A1 + \log A2$ ;  $Z \approx \log B1 + \log B2$   
 where: A1, A2, B1, and B2 are in dBV, 0 dBV = 1 V.  
 CA2, CA2', CB2, and CB2' are detector compensation inputs.

8961724 0108314 170

PRODUCTION DATA Information is current as of publication date. Products conform to specifications per the terms of Texas Instruments standard warranty. Production processing does not necessarily include testing of all parameters.

**TEXAS  
INSTRUMENTS**

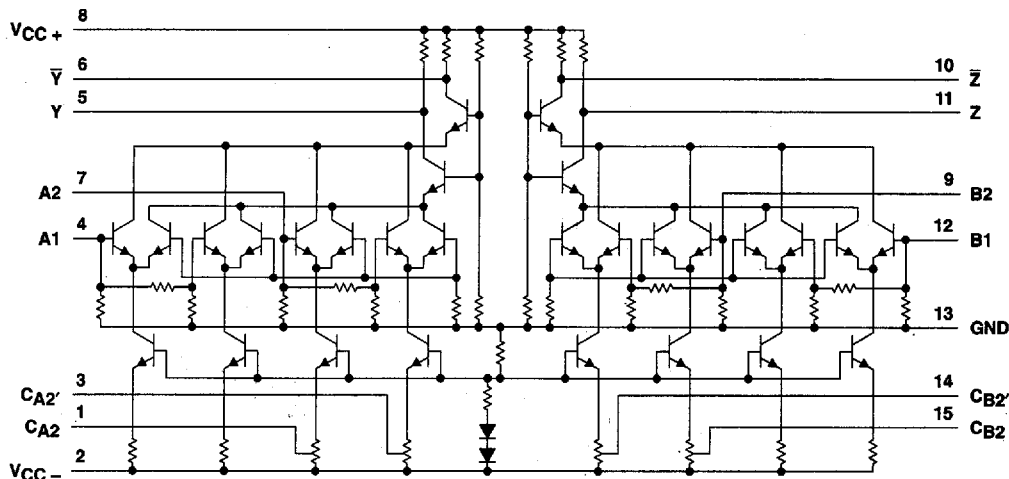
POST OFFICE BOX 655303 • DALLAS, TEXAS 75265

Copyright © 1989, Texas Instruments Incorporated

# TL441AM LOGARITHMIC AMPLIFIER

SLFS038 - JUNE 1976 - REVISED FEBRUARY 1989

## schematic



Pin numbers shown are for the J package.

## absolute maximum ratings over operating free-air temperature range (unless otherwise noted)†

Supply voltages (see Note 1): $V_{CC+}$ .....	8 V
$V_{CC-}$ .....	-8 V
Input voltage (see Note 1) .....	6 V
Output sink current (any one output) .....	30 mA
Continuous total dissipation .....	See Dissipation Rating Table
Operating free-air temperature range .....	-55°C to 125°C
Storage temperature range .....	-65°C to 150°C
Case temperature for 60 seconds: FK package .....	260°C
Lead temperature 1,6 mm (1/16 inch) from case for 60 seconds: J package .....	300°C

† Stresses beyond those listed under absolute maximum ratings may cause permanent damage to the device. This is a stress rating only, and functional operation of the device at these or any other conditions beyond those indicated in the recommended operating conditions section of this specification is not implied. Exposure to absolute-maximum-rated conditions for extended periods may affect device reliability.

NOTE 1: All voltages, except differential output voltages, are with respect to network ground terminal.

DISSIPATION RATING TABLE

PACKAGE	$T_A \leq 25^\circ\text{C}$ POWER RATING	DERATING FACTOR	DERATE ABOVE $T_A$	$T_A = 70^\circ\text{C}$ POWER RATING	$T_A = 125^\circ\text{C}$ POWER RATING
FK	500 mW	11.0 mW/°C	104°C	500 mW	275 mW
J	500 mW	11.0 mW/°C	104°C	500 mW	275 mW

## recommended operating conditions

	MIN	MAX	UNIT
Peak-to-peak input voltage for each 30-dB stage	0.01	1	V
Operating free-air temperature, $T_A$	-55	125	°C

8961724 0108315 007



# TL441AM LOGARITHMIC AMPLIFIER

SLFS038 - JUNE 1976 - REVISED FEBRUARY 1989

## electrical characteristics, $V_{CC\pm} = \pm 6\text{ V}$ , $T_A = 25^\circ\text{C}$

PARAMETER	TEST FIGURE	MIN	TYP	MAX	UNIT
Differential output offset voltage	1		$\pm 25$	$\pm 70$	mV
Quiescent output voltage	2	5.45	5.6	5.85	V
DC scale factor (differential output), each 3-dB stage, -35 dBV to -5 dBV	3	7	8	11	mV/dB
AC scale factor (differential output)			8		mV/dB
DC error at -20 dBV (midpoint of -35 dBV to -5 dBV range)	3		1	2.6	dB
Input impedance			500		$\Omega$
Output impedance			200		$\Omega$
Rise time, 10% to 90% points, $C_L = 24\text{ pF}$	4		20	35	ns
Supply current from $V_{CC+}$	2	14.5	18.5	23	mA
Supply current from $V_{CC-}$	2	-6	-8.5	-10.5	mA
Power dissipation	2	123	162	201	mW

## electrical characteristics over operating free-air temperature range, $V_{CC\pm} = \pm 6\text{ V}$ (unless otherwise noted)

PARAMETER	TEST FIGURE	MIN	MAX	UNIT
Differential output offset voltage	1		$\pm 100$	mV
Quiescent output voltage	2	5.3	5.85	V
DC scale factor (differential output) each 30-dB stage, -35 dBV to -5 dBV	3	7	11	mV/dB
DC error at -20 dBV (midpoint of -35 dBV to -5 dBV range)	3	$T_A = -55^\circ\text{C}$	4	dB
		$T_A = 125^\circ\text{C}$	3	
Supply current from $V_{CC+}$	2	10	31	mA
Supply current from $V_{CC-}$	2	-4.5	-15	mA
Power dissipation	2	87	276	mW

### PARAMETER MEASUREMENT INFORMATION

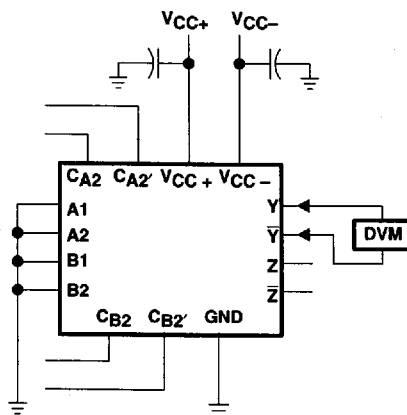


Figure 1

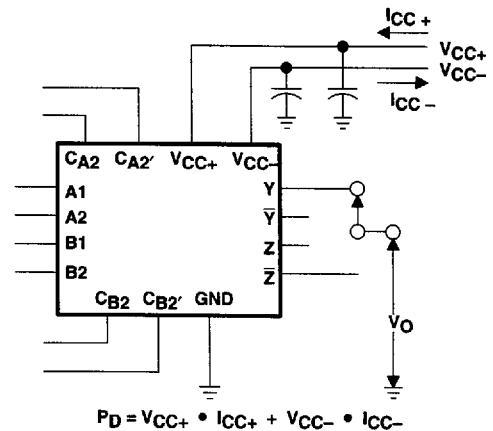


Figure 2



8961724 0108316 T43  
**TEXAS  
INSTRUMENTS**

POST OFFICE BOX 655303 • DALLAS, TEXAS 75265

8-31

# TL441AM LOGARITHMIC AMPLIFIER

SLFS038 - JUNE 1976 - REVISED FEBRUARY 1989

## PARAMETER MEASUREMENT INFORMATION

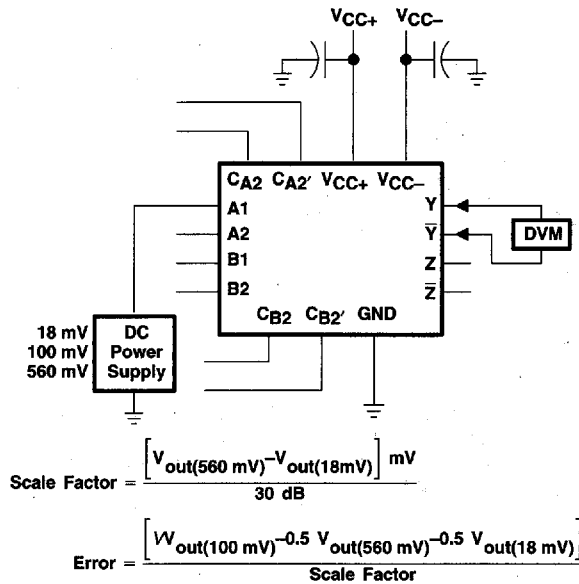
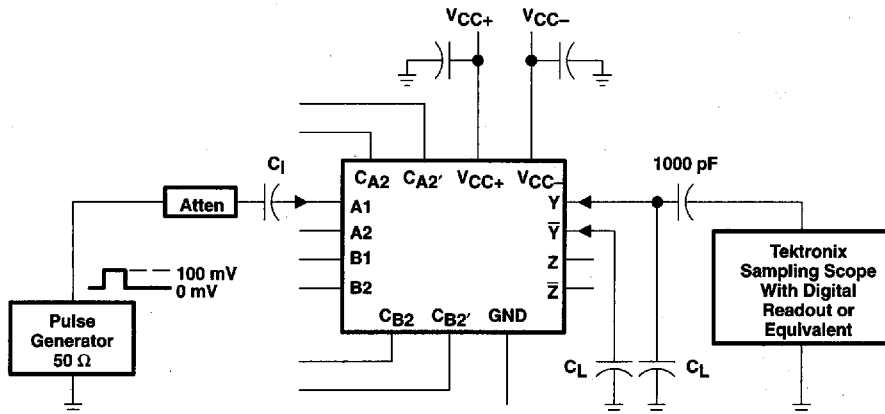


Figure 3



- NOTES:
- A. The input pulse has the following characteristics:  $t_w = 200 \text{ ns}$ ,  $t_r \leq 2 \text{ ns}$ ,  $t_f \leq 2 \text{ ns}$ ,  $\text{PRR} \leq 10 \text{ MHz}$ .
  - B. Capacitor  $C_1$  consists of three capacitors in parallel:  $1 \mu\text{F}$ ,  $0.1 \mu\text{F}$ , and  $0.01 \mu\text{F}$ .
  - C.  $C_L$  includes probe and jig capacitance.

Figure 4

8961724 0108317 98T

 **TEXAS  
INSTRUMENTS**

POST OFFICE BOX 655303 • DALLAS, TEXAS 75265

TYPICAL CHARACTERISTICS

DIFFERENTIAL OUTPUT OFFSET VOLTAGE  
vs  
FREE-AIR TEMPERATURE

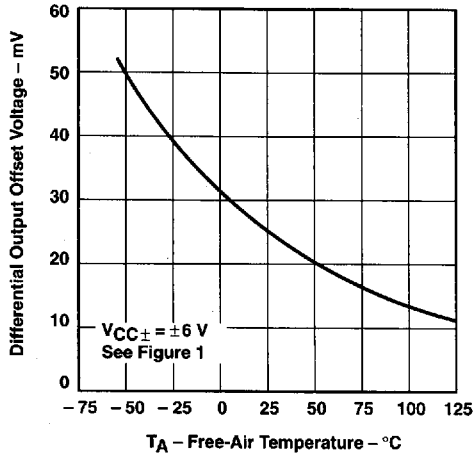


Figure 5

QUIESCENT OUTPUT VOLTAGE  
vs  
FREE-AIR TEMPERATURE

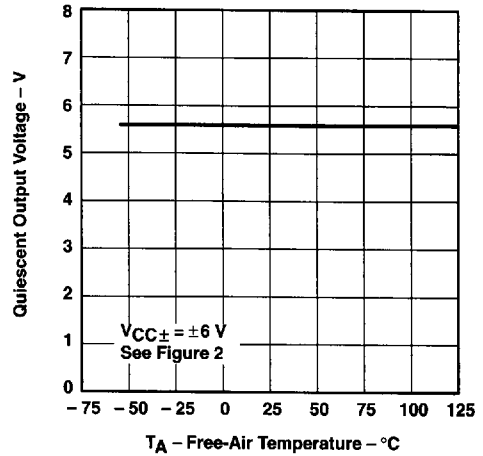


Figure 6

DC SCALE FACTOR  
vs  
FREE-AIR TEMPERATURE

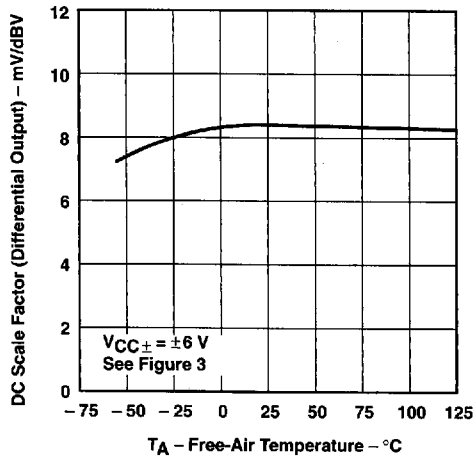


Figure 7

DC ERROR  
vs  
FREE-AIR TEMPERATURE

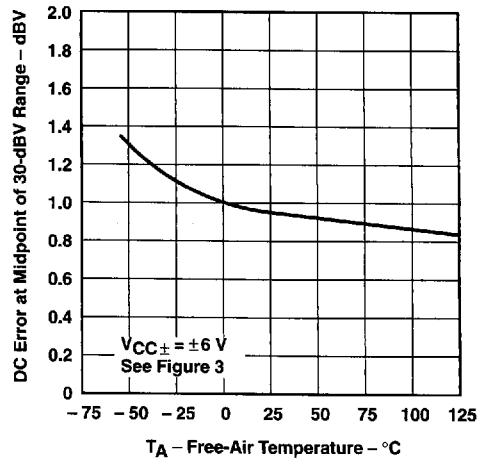


Figure 8

8961724 0108318 816

# TL441AM LOGARITHMIC AMPLIFIER

SLFS038 - JUNE 1976 - REVISED FEBRUARY 1989

## TYPICAL CHARACTERISTICS

### OUTPUT RISE TIME vs LOAD CAPACITANCE

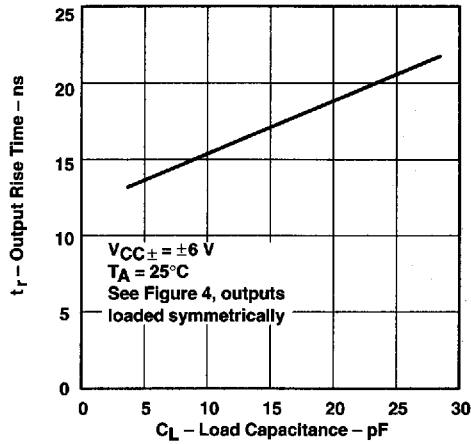


Figure 9

### POWER DISSIPATION vs FREE-AIR TEMPERATURE

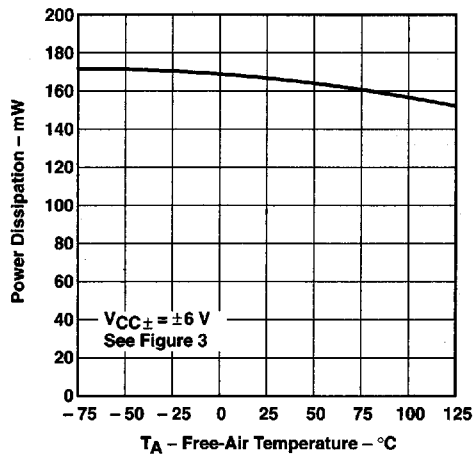


Figure 10

8961724 0108319 752

 **TEXAS  
INSTRUMENTS**

POST OFFICE BOX 655303 • DALLAS, TEXAS 75265

APPLICATION INFORMATION

Although designed for high-performance applications such as broadband radar, infrared detection and weapons systems, this device has a wide range of applications in data compression and analog computation.

basic logarithmic function

The basic logarithmic response is derived from the exponential current-voltage relationship of collector current and base-emitter voltage. This relationship is given in the equation:

$$m \cdot V_{BE} = \ln [(I_C + I_{CES})/I_{CES}]$$

where:

$I_C$  = collector current

$I_{CES}$  = collector current at  $V_{BE} = 0$

$m = q/kT$  (in  $V^{-1}$ )

$V_{BE}$  = base-emitter voltage

The differential input amplifier allows dual-polarity inputs, is self-compensating for temperature variations, and is relatively insensitive to common-mode noise.

functional block diagram

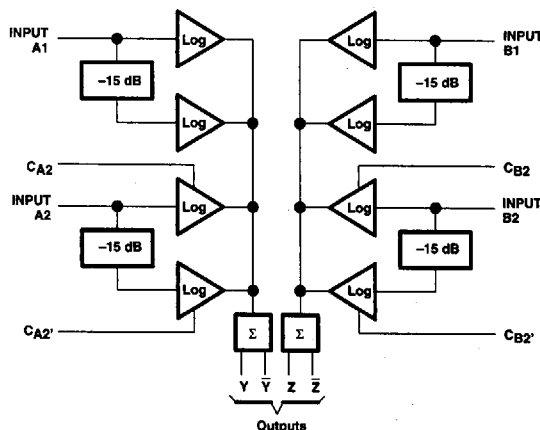


Figure 11

logarithmic sections

As can be seen from the schematic, there are eight differential pairs. Each pair is a 15-dB log subsection, and each input feeds two pairs for a range of 30-dB per stage.

Four compensation points are made available to allow slight variations in the gain (slope) of the two individual 15-dB stages of input A2 and B2. By slightly changing the voltage on any of the compensation pins from its quiescent value, the gain of that particular 15-dB stage can be adjusted to match the other 15-dB stage in the pair. The compensation pins may also be used to match the transfer characteristics of input A2 to A1 or B2 to B1.

The log stages in each half of the circuit are summed by directly connecting their collectors together and summing through a common-base output stage. The two sets of output collectors are used to give two log outputs, Y and  $\bar{Y}$  (or Z and  $\bar{Z}$ ) which are equal in amplitude but opposite in polarity. This increases the versatility of the device.

By proper choice of external connections, linear amplification, and linear attenuation, and many different applications requiring logarithmic signal processing are possible

input levels

The recommended input voltage range of any one stage is given as 0.01 V to 1 V. Input levels in excess of 1 V may result in a distorted output. When several log sections are summed together, the distorted area of one section overlaps with the next section and the resulting distortion is insignificant. However, there is a limit to the amount of overdrive that may be applied. As the input drive reaches  $\pm 3.5$  V, saturation occurs, clamping the collector-summing line and severely distorting the output. Therefore, the signal to any input must be limited to approximately  $\pm 3$  V to ensure a clean output.

8961724 0108320 474



# TL441AM LOGARITHMIC AMPLIFIER

SLFS038 – JUNE 1976 – REVISED FEBRUARY 1989

## APPLICATION INFORMATION

### output levels

Differential-output-voltage levels are low, generally less than 0.6 V. As demonstrated in Figure 12, the output swing and the slope of the output response can be adjusted by varying the gain by means of the slope control. The coordinate origin may also be adjusted by positioning the offset of the output buffer.

### circuits

Figures 12 through 19 show typical circuits using this logarithmic amplifier. Operational amplifiers not otherwise designated are TLC271. For operation at higher frequencies, the TL592 is recommended instead of the TLC271.

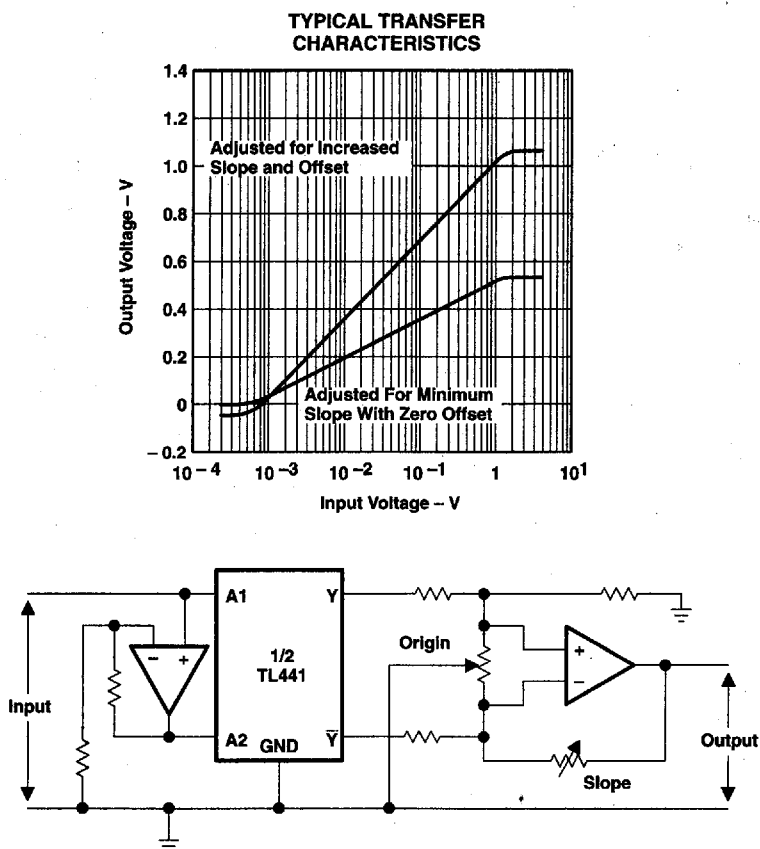


Figure 12. Output Slope and Origin Adjustment

8961724 0108321 300

 **TEXAS  
INSTRUMENTS**

POST OFFICE BOX 655303 • DALLAS, TEXAS 75285



APPLICATION INFORMATION

TRANSFER CHARACTERISTICS  
OF TWO TYPICAL INPUT STAGES

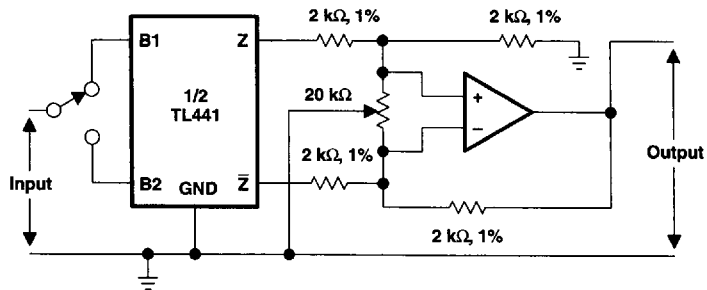
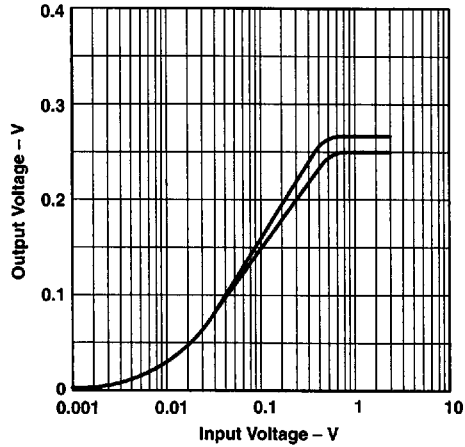


Figure 13. Utilization of Separate Stages

8961724 0108322 247

# TL441AM LOGARITHMIC AMPLIFIER

SLFS038 – JUNE 1976 – REVISED FEBRUARY 1989

## APPLICATION INFORMATION

### TRANSFER CHARACTERISTICS WITH BOTH SIDES PARALLELED

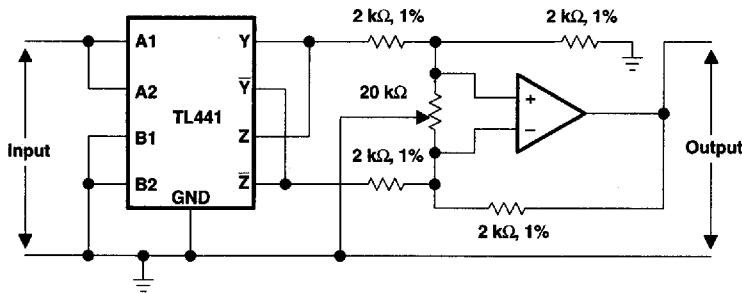
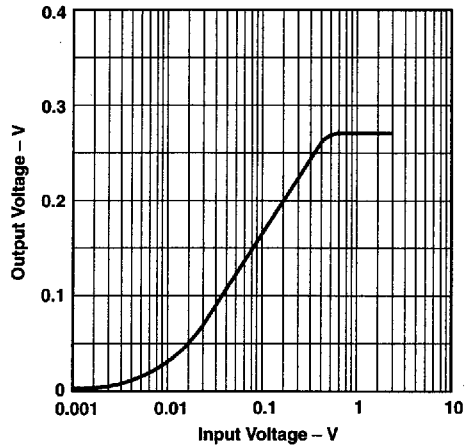


Figure 14. Utilization of Paralleled Inputs

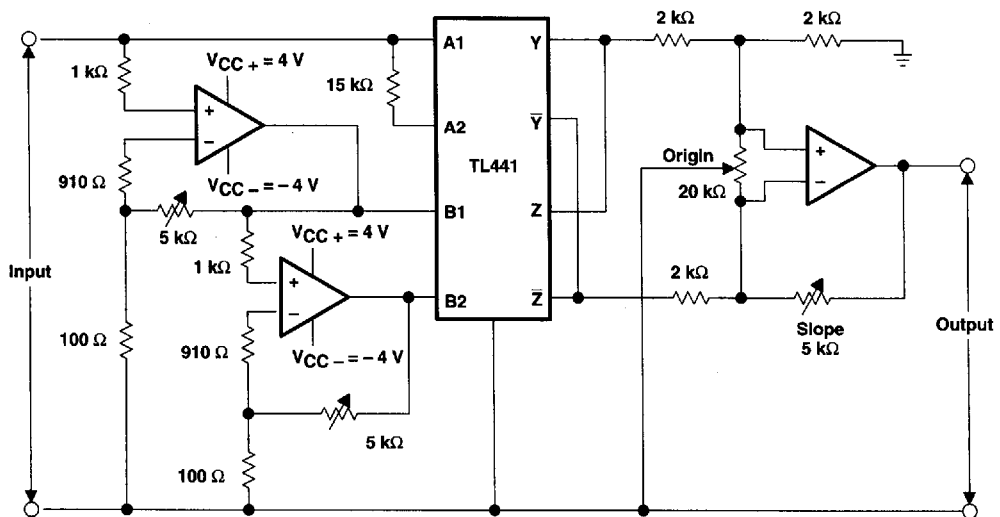
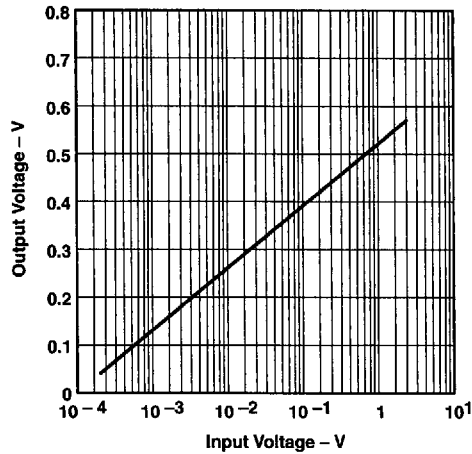
8961724 0108323 183

 **TEXAS  
INSTRUMENTS**

POST OFFICE BOX 655303 • DALLAS, TEXAS 75265

APPLICATION INFORMATION

TRANSFER CHARACTERISTICS



- NOTES: A. Inputs are limited by reducing the supply voltages for the input amplifiers to  $\pm 4$  V.  
B. The gains of the input amplifiers are adjusted to achieve smooth transitions.

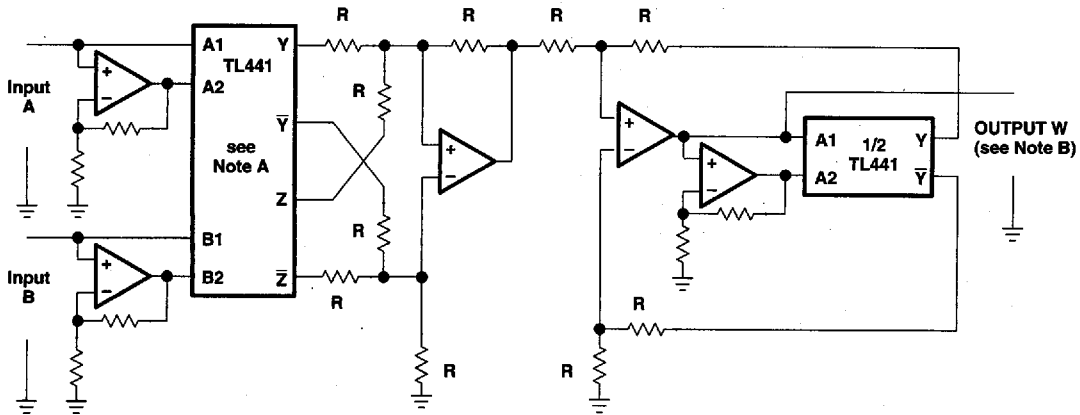
Figure 15. Logarithmic Amplifier With Input Voltage Range Greater Than 80 dB

8961724 0108324 01T

# TL441AM LOGARITHMIC AMPLIFIER

SLFS038 - JUNE 1976 - REVISED FEBRUARY 1989

## APPLICATION INFORMATION

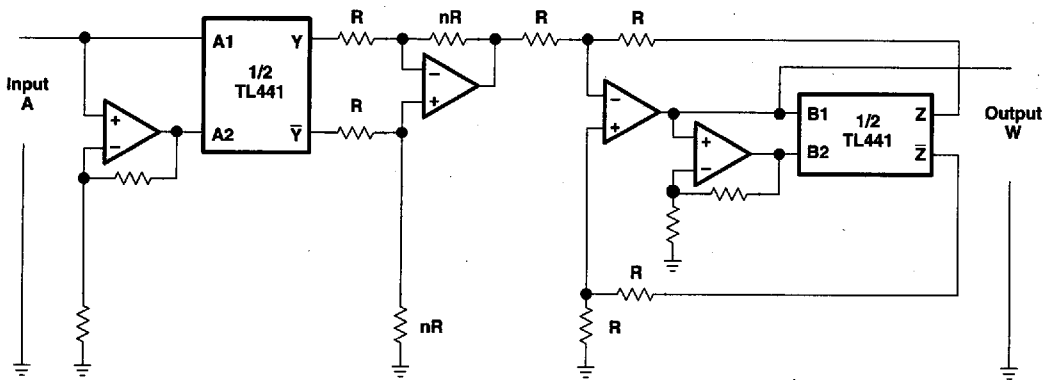


- NOTES: A. Connections shown are for multiplication. For division, Z and  $\bar{Z}$  connections are reversed.  
 B. Output W may need to be amplified to give actual product or quotient of A and B.  
 C. R designates resistors of equal value, typically 2 k $\Omega$  to 10 k $\Omega$ .

Multiplication:  $W = A \cdot B \Rightarrow \log W = \log A + \log B$ , or  $W = a^{(\log_a A + \log_a B)}$

Division:  $W = A/B \Rightarrow \log W = \log A - \log B$ , or  $W = a^{(\log_a A - \log_a B)}$

Figure 16. Multiplication or Division



NOTE: R designates resistors of equal value, typically 2 k $\Omega$  to 10 k $\Omega$ . The power to which the input variable is raised is fixed by setting nR.  
 Output W may need to be amplified to give the correct value.

Exponential:  $W = A^n \Rightarrow \log W = n \log A$ , or  $W = a^{(n \log_a A)}$

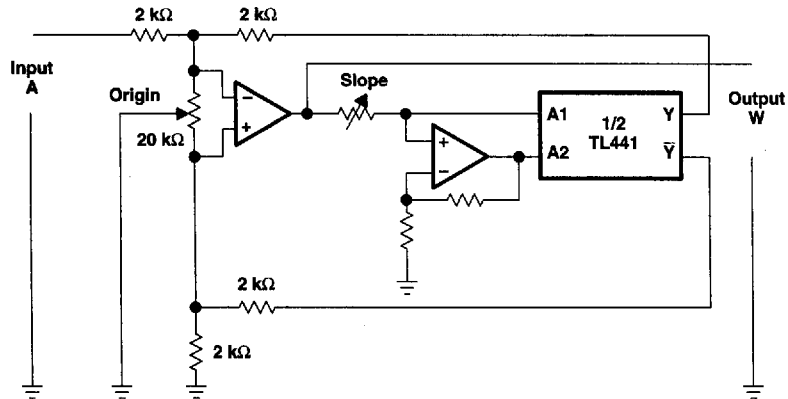
Figure 17. Raising a Variable to a Fixed Power

8961724 0108325 T56

 **TEXAS  
INSTRUMENTS**

POST OFFICE BOX 655303 • DALLAS, TEXAS 75265

APPLICATION INFORMATION



NOTE: Adjust the slope to correspond to the base "a".  
Exponential to any base:  $W = a$ .

Figure 18. Raising a Fixed Number to a Variable Power

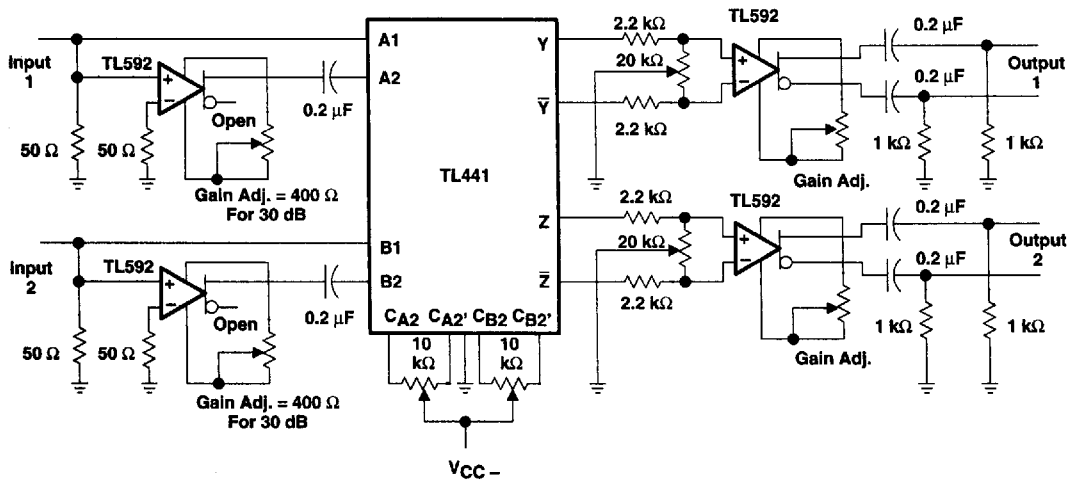


Figure 19. Dual-Channel RF Logarithmic Amplifier With 50-dB Input Range Per Channel at 10 MHz

8961724 0108326 992