



HD (Small two sided Hybrid)



Large Hybride

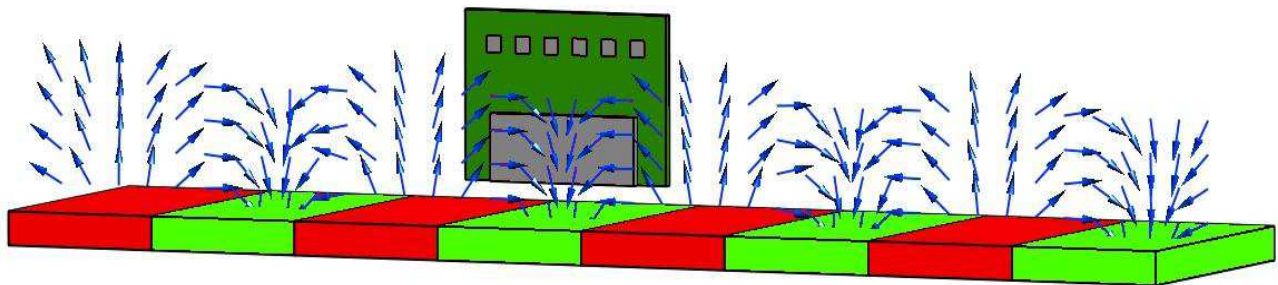
## MLS (HYBRID) Linear Position Sensor

### SPECIFICATIONS

- ◆ **AMR gradient sensor**
- ◆ **Linear displacement, movements, velocities**
- ◆ **High precision**
- ◆ **Various pole pitches available**

Sliding the MLS-Sensors along a magnetic scale will produce a sine and a cosine output signal as a function of the position. In order to deliver satisfying results, this will be achieved as long as the air gap between sensor edge and magnetic scale surface does not exceed approximately half of the pole pitch. As the sensor principle is based on the anisotropic magneto resistance effect, the signal amplitudes are nearly independent on the magnetic field strength and therefore air gap variations do not have a strong effect on the accuracy. The sensor detects a magnetic gradient field and is thus almost insensitive to homogenous magnetic stray fields.

Precise displacement values will be obtained by using a sine/cosine decoder device. The maximal obtainable precision depends on the accuracy of the magnetic scale and on the distance sensor – magnetic scale. Values of <math><1\%</math> of the pole pitch are common.



### FEATURES

- ◆ Sin- / cos-output signals suitable for signal evaluation by standard-ASIC's
- ◆ Very high precision
- ◆ Insensitive to air gap fluctuations
- ◆ Highly reliable
- ◆ Low interference field sensitivity

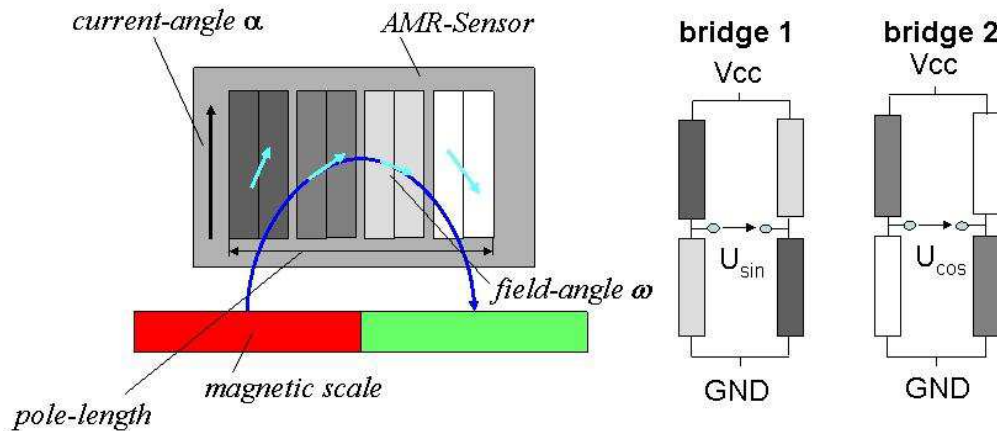
## MAGNETIC LENGTH SENSOR MLS (HYBRID)

### APPLICATIONS

- Linear displacement, movements, velocities in dirty environments
- Very precise angular measurement using pole wheels

### SENSOR BASICS

The MLS-sensors consists of two magneto resistive Wheatstone bridges, whose resistors are placed in a way that in combination with a magnetic scale, a sine and a cosine signal is obtained. Thus, MLS sensors will only work together well with pole stripes that meet the design pole pitch. In addition, some sensor types integrate over more than one pole in order to improve sensor performance.



### CHARACTERISTIC VALUES

| PARAMETER                                 | SYMBOL           | CONDITION | TYPE                                  | MIN                   | TYP                          | MAX                   | UNIT          |
|---|------------------|-----------|---------------------------------------|-----------------------|------------------------------|-----------------------|---------------|
| <b>1. Operating Limits</b>                |                  |           |                                       |                       |                              |                       |               |
| max. supply voltage                       | $V_{cc,max}$     |           |                                       |                       |                              | 10                    | V             |
| max. current (both bridges)               | $I_{cc,max}$     |           | MLS1000/8<br>MLS2000/5000             |                       |                              | 5<br>10               | mA            |
| operating temperature                     | $T_{op}$         |           |                                       | -40                   |                              | +85                   | °C            |
| storage temperature                       | $T_{st}$         |           |                                       | -40                   |                              | +125                  | °C            |
| <b>2. Sensor Specifications (T=25 °C)</b> |                  |           |                                       |                       |                              |                       |               |
| Supply voltage                            | $V_{cc}$         |           |                                       |                       | 5                            |                       | V             |
| pole pitch *)                             | $p$              |           | MLS1000<br>MLS2000<br>MLS5000<br>MLS8 |                       | 1000<br>2000<br>5000<br>2500 |                       | $\mu\text{m}$ |
| Resistance (both bridges)                 | $R_b$            |           | MLS1000<br>MLS2000/5000<br>MLS8       | 2000<br>1000<br>30000 | 3000<br>1500<br>40000        | 4000<br>2000<br>50000 | $\Omega$      |
| Output signal range                       | $\pm V_n/V_{cc}$ | A, B      |                                       | 16                    | 22                           |                       | mV/V          |
| Offset voltage                            | $V_{n,off}$      | A, B      |                                       | -1                    | 0                            | +1                    | mV/V          |

## MAGNETIC LENGTH SENSOR MLS (HYBRID)

| 3. Sensor Specifications |        |      |  |    |       |    |        |
|--------------------------|--------|------|--|----|-------|----|--------|
| TC of amplitude          | TCSV   | A, C |  |    | -0.35 |    | %/K    |
| TC of resistance         | TCBR   | A, C |  |    | +0.35 |    | %/K    |
| TC of offset             | TCVoff | A, C |  | -4 | 0     | +4 | μV/V/K |

n = 1;2 (bridge number); Stress above one or more of the limiting values may cause permanent damage to the device. Exposure to limiting values for extended periods may affect device reliability.

\*) other pole pitches on request

## MEASUREMENT CONDITIONS

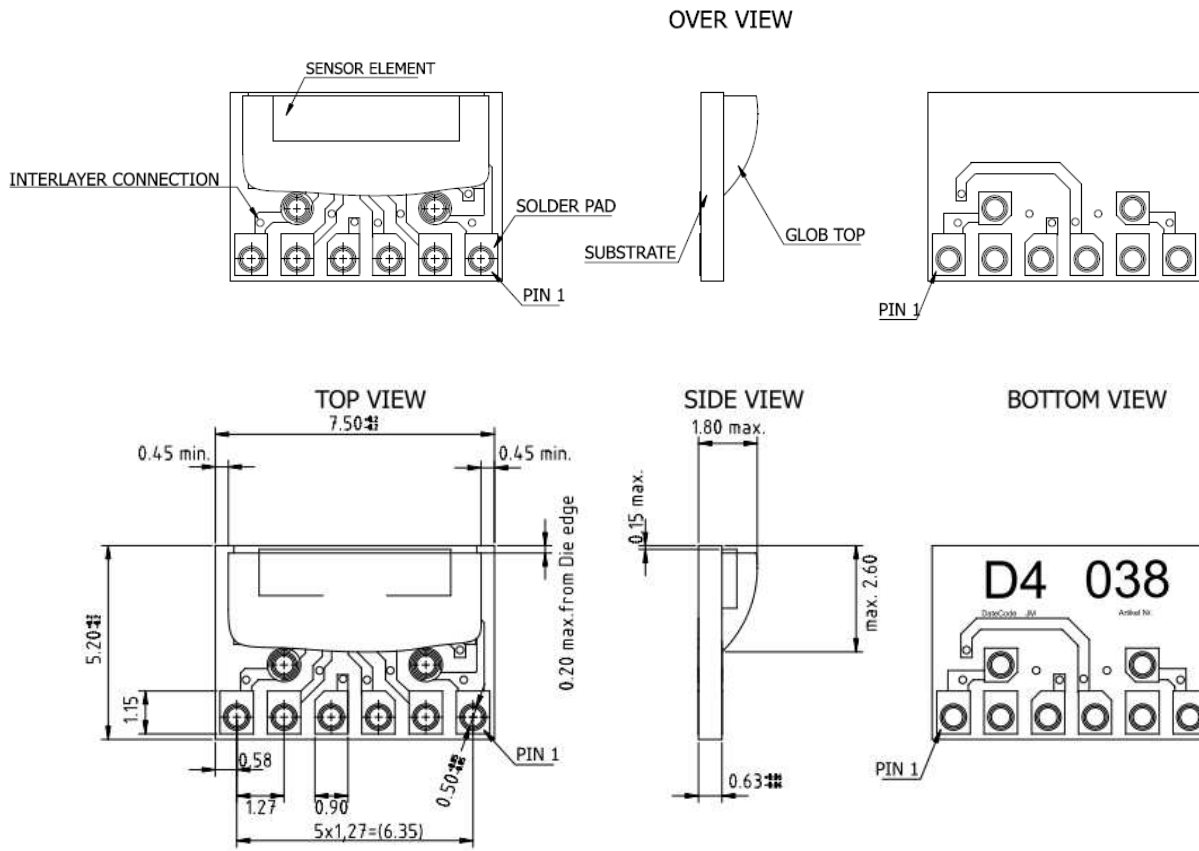
| PARAMETER   | SYMBOL                            | UNIT    | CONDITION  |
|---|-----------------------------------|---------|--|
| <b>A. Set Up Conditions</b>   |                                   |         |  |
| ambient temperature   | T                                 | °C      | T = 25 °C (unless otherwise noted)   |
| supply voltage  | V <sub>cc</sub>                   | V       | V <sub>cc</sub> = 5 V  |
| applied magnetic field  | H                                 | kA/m    | H > 10 kA/m  |
| <b>B. Sensor Specifications (T=25 °C, 360° turn , H=25 kA/m , Vo<sub>max</sub>&gt;0, Vo<sub>min</sub>&lt;0)</b> |                                   |         |  |
| output signal range   | ±V <sub>n</sub> / V <sub>cc</sub> | mV/V    | ±V <sub>n</sub> / V <sub>cc</sub> = (V <sub>n max</sub> - V <sub>n min</sub> ) / V <sub>cc</sub>                                       |
| signal offset   | V <sub>off n</sub>                | mV/V    | V <sub>off n</sub> = (V <sub>n max</sub> + V <sub>n min</sub> ) / V <sub>cc</sub>  |
| <b>C. Sensor Specifications (T=-25°C, +125°C)</b>   |                                   |         |  |
| ambient temperatures  | T                                 | °C      | T <sub>1</sub> = -25 °C, T <sub>0</sub> = +25 °C, T <sub>2</sub> = +125 °C   |
| TC of amplitude   | TCSV                              | %/K     | $TCV = \frac{1}{(T_2 \& T_1)} \cdot \frac{\frac{V_n(T_2)}{V_{cc}} \& \frac{V_n(T_1)}{V_{cc}}}{\frac{V_n(T_1)}{V_{cc}}} \uparrow 100\%$ |
| TC of resistance  | TCBR                              | %/K     | $TCR = \frac{1}{(T_2 \& T_1)} \cdot \frac{R_n(T_2) \& R_n(T_1)}{R_n(T_1)} \uparrow 100\%$  |
| TC of offset  | TCVoff                            | μV/(VK) | $TCVoff_n = \frac{Voff_n(T_2) \& Voff_n(T_1)}{(T_2 \& T_1)}$   |

n = 1;2 (bridge number)

# MAGNETIC LENGTH SENSOR MLS (HYBRID)

## PACKAGES

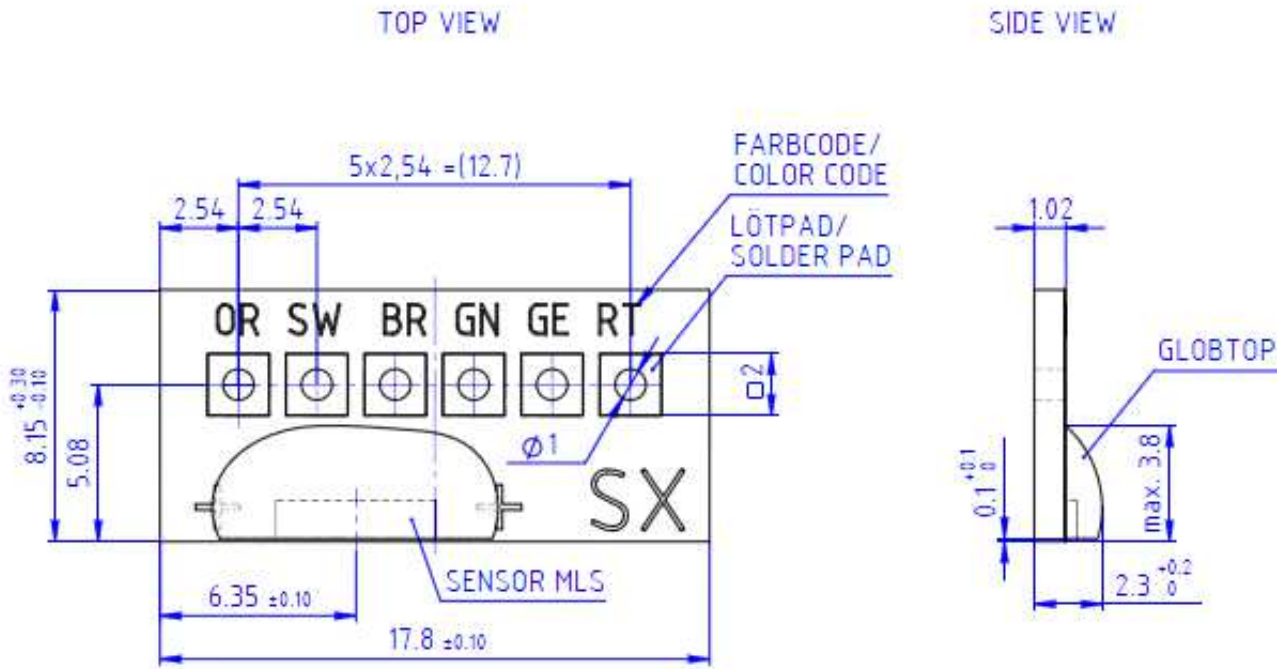
### HD (SMALL TWO SIDED HYBRID)



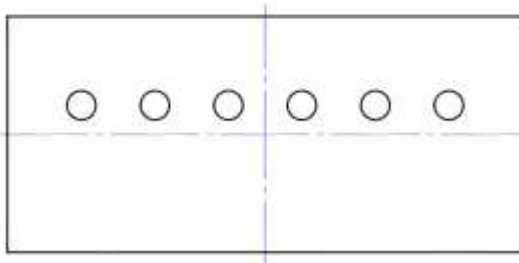
| Pin | MLS1000HD | MLS2000HD | MLS5000HD | MLS8HD |
|-----|-----------|-----------|-----------|--------|
| 1   | GND       | +V2       | +V2       | +V2    |
| 2   | Vcc       | Vcc       | Vcc       | Vcc    |
| 3   | -V2       | GND       | GND       | GND    |
| 4   | +V2       | +V1       | +V1       | +V1    |
| 5   | -V1       | -V1       | -V1       | -V2    |
| 6   | +V1       | -V2       | -V2       | -V1    |

# MAGNETIC LENGTH SENSOR MLS (HYBRID)

## HS (STANDARD HYBRID)



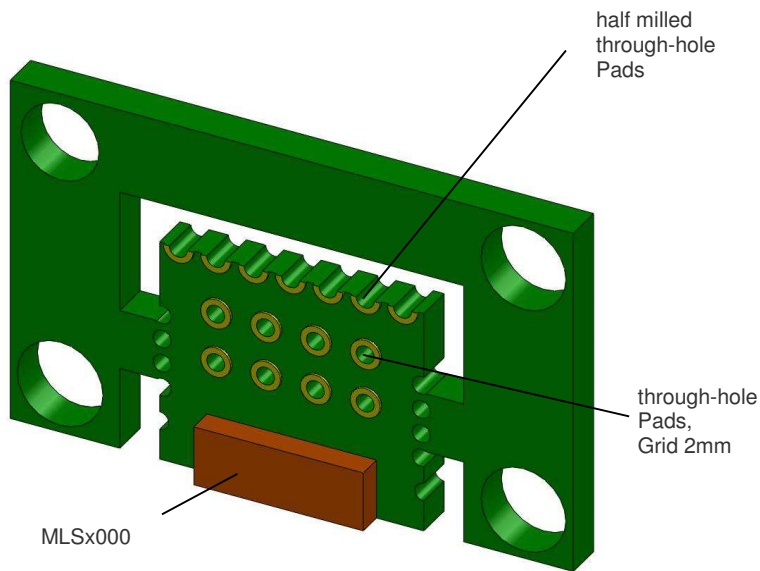
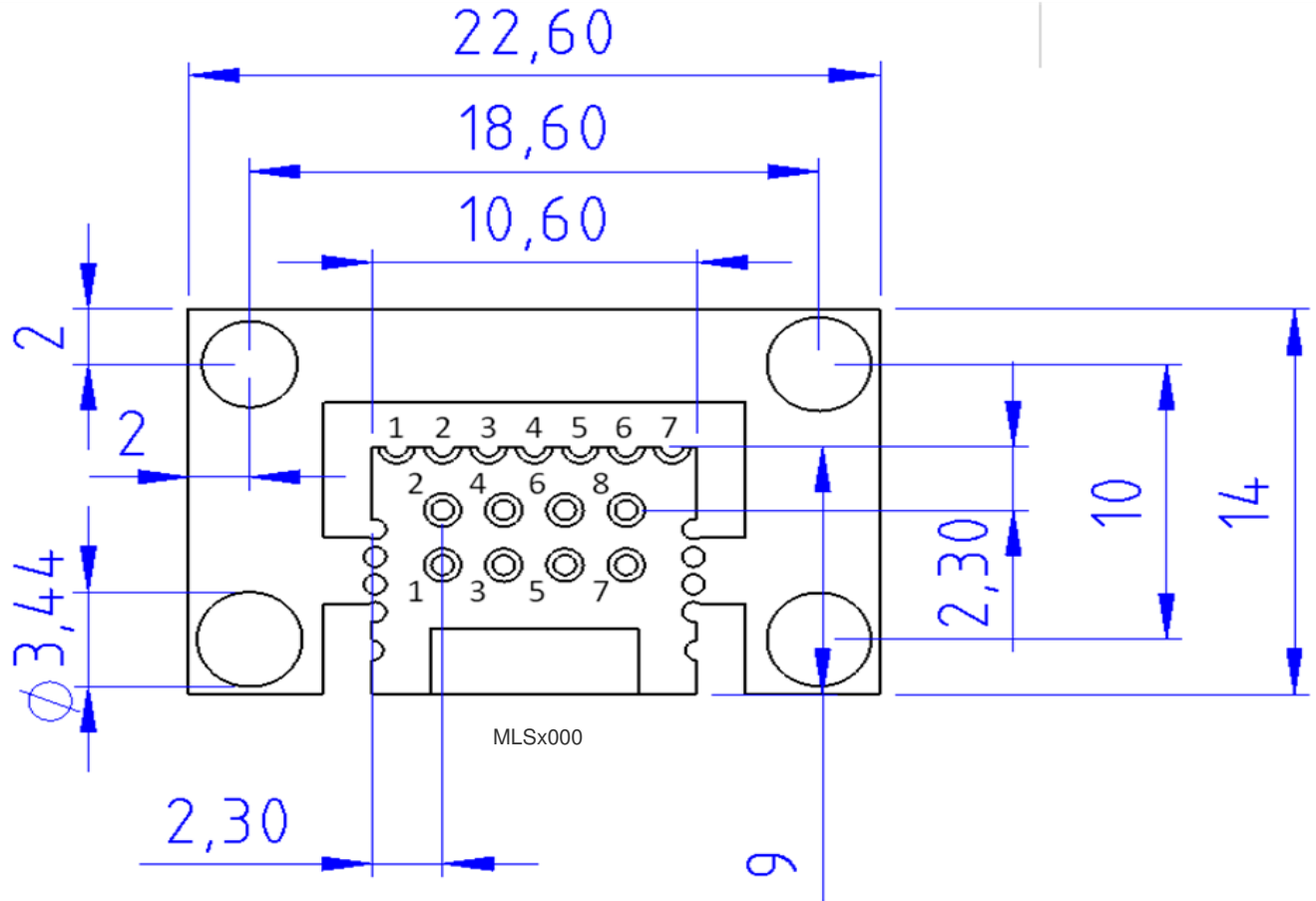
BOTTOM VIEW



| Pin | Annotation     | Name        |
|-----|----------------|-------------|
| OR  | Output signal  | $V_{\cos-}$ |
| SW  | Supply voltage | $V_{cc}$    |
| BR  | Ground         | GND         |
| GN  | Output signal  | $V_{\sin-}$ |
| GE  | Output signal  | $V_{\sin+}$ |
| RT  | Output signal  | $V_{\cos+}$ |

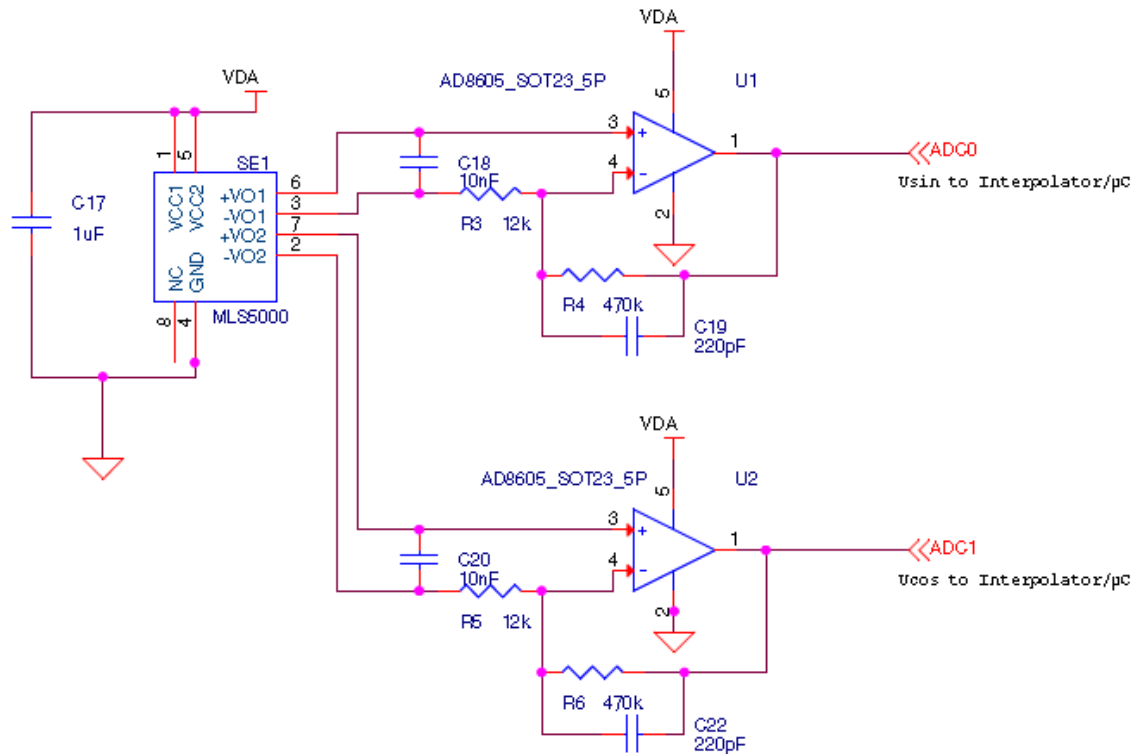
# MAGNETIC LENGTH SENSOR MLS (HYBRID)

## EVALUATION KIT



| Pin | Annotation     | Name              |
|-----|----------------|-------------------|
| 1   | Ground         | Gnd               |
| 2   | Output signal  | V <sub>cos+</sub> |
| 3   | Output signal  | V <sub>sin+</sub> |
| 4   | Supply voltage | V <sub>cc2</sub>  |
| 5   | Output signal  | V <sub>sin-</sub> |
| 6   | Output signal  | V <sub>cos-</sub> |
| 7   | Supply voltage | V <sub>cc1</sub>  |

**APPLICATION EXAMPLE**



**Exemplary hardware configuration using an Analog Devices AD8605 amplifier for preprocessing MLS5000 signals for usage with common Microcontroller**

**TEST REQUIREMENTS**

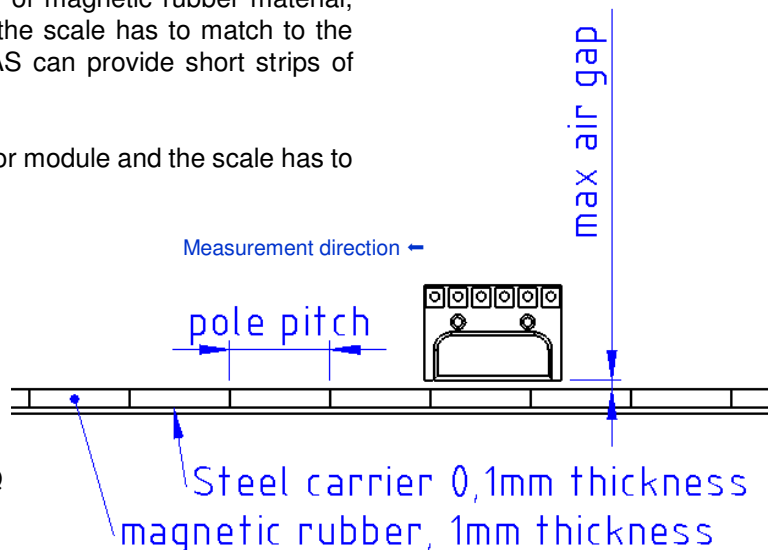
The parameters of the MLS sensor are measured in combination with a magnetic scale. The magnetic scale consists of magnetic rubber material, bonded on a steel carrier. The pole pitch of the scale has to match to the sensor type (see characteristic values). MEAS can provide short strips of scales for reference.

The maximum used air gap between the sensor module and the scale has to match the sensor type and not exceed:

|          |         |
|----------|---------|
| MLS1000: | 0.5 mm  |
| MLS2000: | 1 mm    |
| MLS5000: | 2.5 mm  |
| MLS8:    | 1.25 mm |

Test temperature: 25°C

The use of IC-Haus interpolation circuit IC-NQ is recommended for signal evaluation.



## MAGNETIC LENGTH SENSOR MLS (HYBRID)

### ORDERING CODES

|                          | <b>MLS1000</b>    | <b>MLS2000</b>      | <b>MLS5000</b>    | <b>MLS8</b>         |
|--------------------------|-------------------|---------------------|-------------------|---------------------|
| <b>Large hybrid (HS)</b> | <i>on request</i> | <i>eng. samples</i> | <b>G-MRCO-012</b> | <i>eng. samples</i> |
| <b>2side hybrid (HD)</b> | <b>G-MRCO-038</b> | <b>G-MRCO-039</b>   | <b>G-MRCO-040</b> | <b>G-MRCO-041</b>   |

#### NORTH AMERICA

Measurement Specialties, Inc.,  
a TE Connectivity Company  
Phone: +1-800-522-6752  
Email: [customercare.hmpt@te.com](mailto:customercare.hmpt@te.com)

#### EUROPE

MEAS Deutschland GmbH (Europe)  
a TE Connectivity Company  
Phone: +49-800-440-5100  
Email: [customercare.dtmd@te.com](mailto:customercare.dtmd@te.com)

#### ASIA

Measurement Specialties (China), Ltd.,  
a TE Connectivity Company  
Phone: +86-400-820-6015  
Email: [customercare.shzn@te.com](mailto:customercare.shzn@te.com)

#### [TE.com/sensorsolutions](http://TE.com/sensorsolutions)

Measurement Specialties, Inc., a TE Connectivity company.

Measurement Specialties, TE Connectivity, TE Connectivity (logo) and EVERY CONNECTION COUNTS are trademarks. All other logos, products and/or company names referred to herein might be trademarks of their respective owners.

The information given herein, including drawings, illustrations and schematics which are intended for illustration purposes only, is believed to be reliable. However, TE Connectivity makes no warranties as to its accuracy or completeness and disclaims any liability in connection with its use. TE Connectivity's obligations shall only be as set forth in TE Connectivity's Standard Terms and Conditions of Sale for this product and in no case will TE Connectivity be liable for any incidental, indirect or consequential damages arising out of the sale, resale, use or misuse of the product. Users of TE Connectivity products should make their own evaluation to determine the suitability of each such product for the specific application.

© 2015 TE Connectivity Ltd. family of companies All Rights Reserved.