

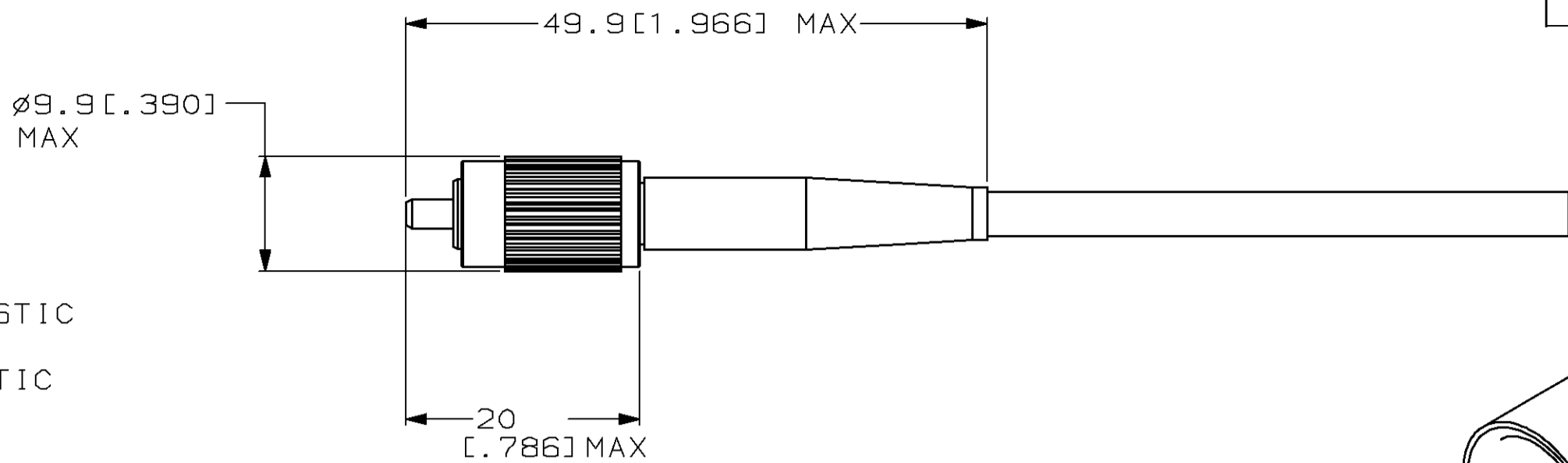
THIS DRAWING IS UNPUBLISHED. RELEASED FOR PUBLICATION  
 © COPYRIGHT 19 BY AMP INCORPORATED. ALL RIGHTS RESERVED.

LOC	DIST	REVISIONS			
P	LTR	DESCRIPTION	DATE	DWN	APVD
CE	16	D REVISE PER 0A00-0543-96	3-12-96	BB	BP

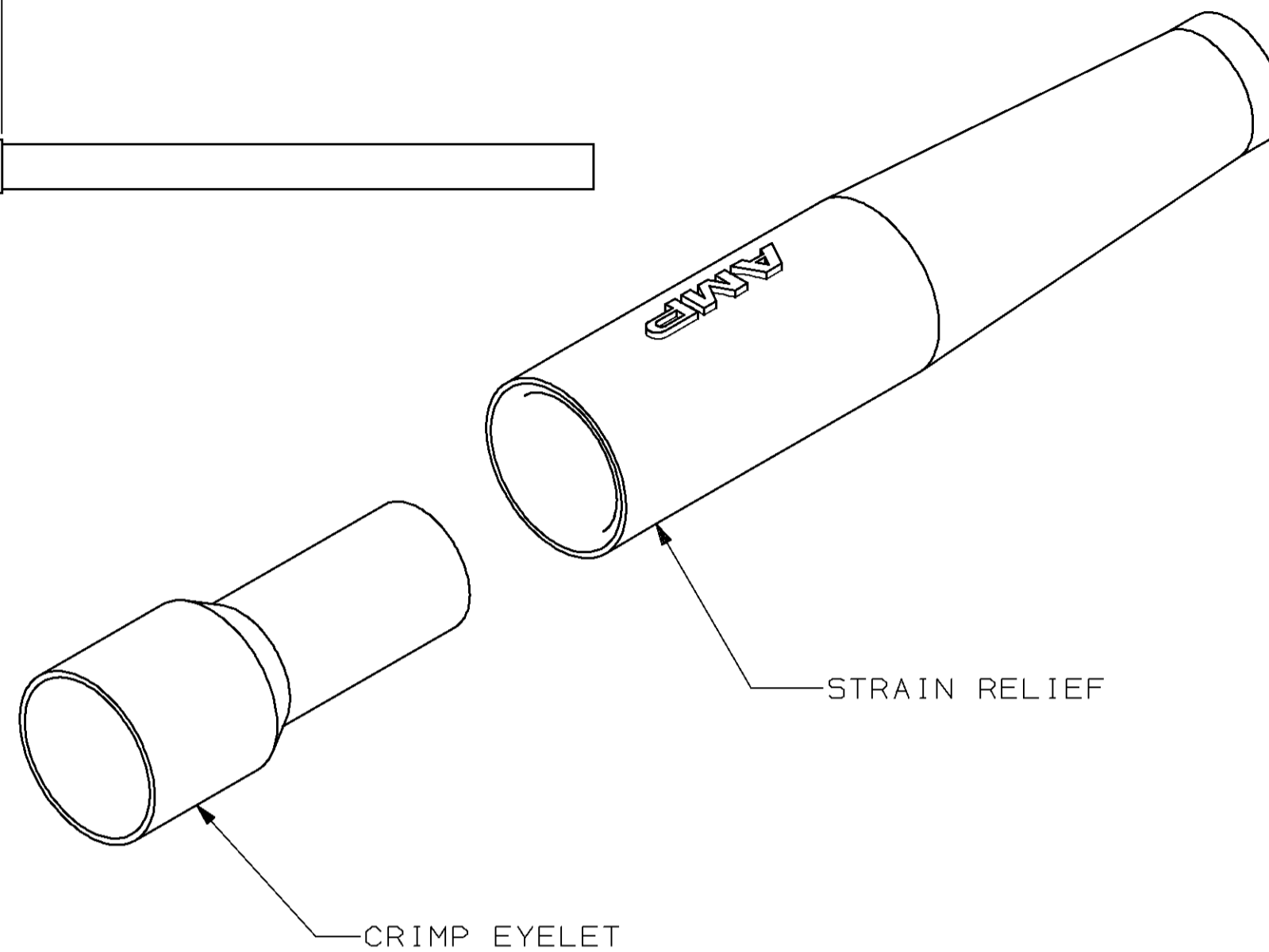
- 1 MATERIAL:  
 COUPLING NUT: BRASS  
 PLUG BODY: THERMOPLASTIC  
 INTERNAL BODY: THERMOPLASTIC  
 SPRING: STAINLESS STEEL  
 FERRULE BASE: THERMOPLASTIC  
 FERRULE: CERAMIC  
 CRIMP EYELET: COPPER  
 STRAIN RELIEF: THERMOPLASTIC ELASTOMER  
 DUST COVER: THERMOPLASTIC

- 2 FINISH:  
 COUPLING NUT: ELECTROLESS NICKEL  
 CRIMP EYELET: BRIGHT TIN

- 3 BULK PACKAGE, 500 PIECES.  
 4. TO BE USED WITH 3.0mm "LOOSE-JACKETED" CABLE.



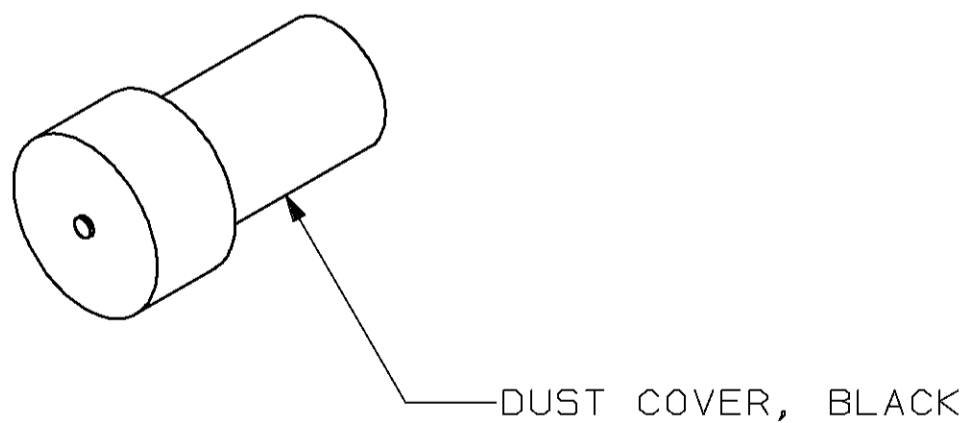
ASSEMBLED CONNECTOR



STRAIN RELIEF

CRIMP EYELET

CONNECTOR ASSEMBLY



DUST COVER, BLACK

3	BLUE	BLUE	126 <sup>+1</sup> / <sub>-0</sub> μm	504649-8
3	BLUE	NATURAL	125 <sup>+1</sup> / <sub>-0</sub> μm	504649-7
3	YELLOW	BLUE	126 <sup>+1</sup> / <sub>-0</sub> μm	504649-6
3	YELLOW	NATURAL	125 <sup>+1</sup> / <sub>-0</sub> μm	504649-5
	YELLOW	BLUE	126 <sup>+1</sup> / <sub>-0</sub> μm	504649-4
	YELLOW	NATURAL	125 <sup>+1</sup> / <sub>-0</sub> μm	504649-3
	BLUE	BLUE	126 <sup>+1</sup> / <sub>-0</sub> μm	504649-2
	BLUE	NATURAL	125 <sup>+1</sup> / <sub>-0</sub> μm	504649-1
	STRAIN RELIEF COLOR	FERRULE BASE COLOR	FERRULE HOLE SIZE	PART NUMBER

THIS DRAWING IS A CONTROLLED DOCUMENT FOR AMP INCORPORATED. IT IS SUBJECT TO CHANGE AND THE CONTROLLING ENGINEERING ORGANIZATION SHOULD BE CONTACTED FOR THE LATEST REVISION.		DWN B. BRIGGS 7-21-95 CHK B. PARKER 7-21-95 APVD D. STAKEM 7-21-95	<b>AMP</b> AMP Incorporated Harrisburg, PA 17105-3608
DIMENSIONS: mm [INCHES]	TOLERANCES UNLESS OTHERWISE SPECIFIED: 0 PLC ±- 1 PLC ±- 2 PLC ±- 3 PLC ±- 4 PLC ±- ANGLES ±- FINISH -	NAME PRODUCT SPEC APPLICATION SPEC WEIGHT CUSTOMER DRAWING	CONNECTOR KIT, SINGLEMODE, FC, ONE PIECE, 3.0mm SIZE A2 CAGE CODE 00779 DRAWING NO. C-504649 SCALE NTS SHEET 1 OF 1 REV D

- [Home](#)
- [Part Number Search](#)
- [Text Search](#)
- [Alternate Part Search](#)
- [Multiple Part Comparison](#)
- [Alphabetical Search](#)
- [Brand Search](#)
- [Industry Product Search](#)
- [Product Type Search](#)
- [Product Family Search](#)
- [Competitor Cross Reference](#)
- [Document Number Search](#)
- [Lead Free Solutions](#)
- [Help/Glossary](#)

<b>Current Brand View</b>	<a href="#">View All Tyco Electronics Brands</a>
<b>AMP</b>	Click to activate links to all other products

## Fiber Optic Products

### FC Type and D4 Connectors

**AMP** **504649-1** -- 1 of 9 products **Active** [Active](#)

**(Tyco Electronics P/N: 504649-1)**

<a href="#">Next</a>	<a href="#">Sales Information</a>	<a href="#">AMP ACES</a>	<a href="#">Step Search Screen</a>
		<a href="#">Related Documents</a>	<a href="#">General Information</a>
		<a href="#">Pricing</a>	<a href="#">Product Availability</a>

**Please use the customer drawing for all design activity.**

- **Customer Drawing: 504649, Rev. D**  
 Document Title: CONNECTOR KIT, SINGLEMODE, FC, ONE PIECE, 3.0mm

[172478.pdf](#) [172478.pdf](#) (52K)

*The photographs and/or line drawings below are representative images of a product for viewing purposes only.*

[Product Photo](#)

**Searchable Features:**

<b>Brand:</b>	AMP
<b>Product Type:</b>	Connector
<b>Product Style:</b>	FC
<b>Mode:</b>	Singlemode
<b>Fiber Size (Micron):</b>	125
<b>Panel Attachment:</b>	No
<b>Hole Size:</b>	125 µm
<b>Cable Diameter (mm [in]):</b>	3.00 [.120]
<b>Connector Style:</b>	One Piece

**Other Properties:**

<b>Boot Type:</b>	Long
<b>Packaging Method:</b>	Carton
<b>Packaging Quantity:</b>	50

---

[Copyright](#) and [Privacy Statement](#)

Visit [Tyco International, Ltd.](#)

[Products](#) | [Brands](#) | [Industries](#) | [Customer Service](#) | [About](#) | [Home](#)