

## LH0091 True RMS to DC Converter

### General Description

The LH0091, rms to dc converter generates a dc output equal to the rms value of any input per the transfer function:

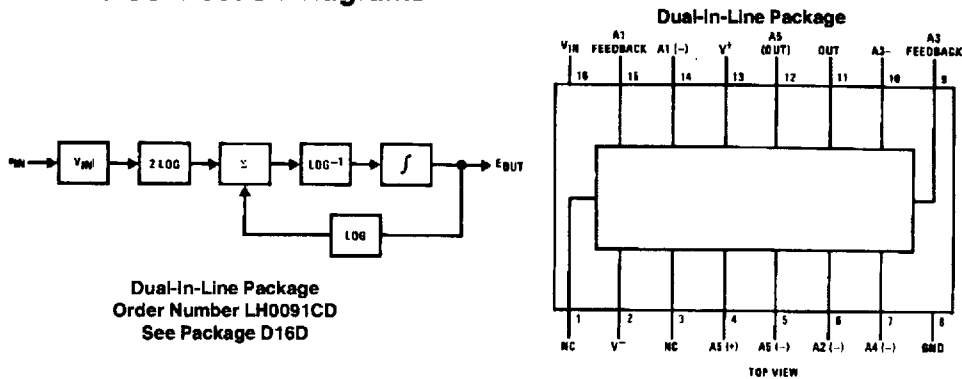
$$E_{OUT(DC)} = \sqrt{\frac{1}{T} \int_0^T E_{IN}^2(t) dt}$$

The device provides rms conversion to an accuracy of 0.1% of reading using the external trim procedure. It is possible to trim for maximum accuracy (0.5 mV ± 0.05% typ) for decade ranges i.e., 10 mV → 100 mV, 0.7V → 7V, etc.

### Features

- Low cost
- True rms conversion
- 0.5% of reading accuracy untrimmed
- 0.05% of reading accuracy with external trim
- Minimum component count
- Input voltage to ±15V peak for  $V_S = \pm 15V$
- Uncommitted amplifier for filtering, gain, or high crest factor configuration
- Military or commercial temperature range.

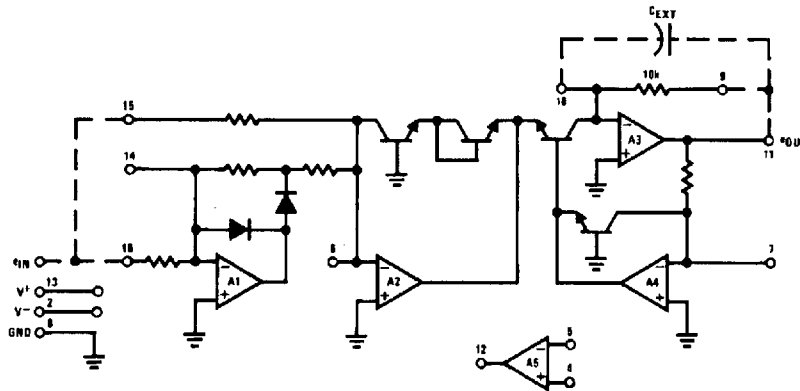
### Block and Connection Diagrams



Dual-In-Line Package  
Order Number LH0091CD  
See Package D16D

TL/H/5694-1

### Simplified Schematic



Note: Dotted lines denote external connections.

TL/H/5694-2

## Absolute Maximum Ratings

If Military/Aerospace specified devices are required, please contact the National Semiconductor Sales Office/Distributors for availability and specifications.

Supply Voltage	± 22V
Input Voltage	± 15V peak
Output Short Circuit Duration	Continuous

Operating Temperature Range  
LH0091C

$T_{MIN}$   $T_{MAX}$   
-25°C 85°C

Storage Temperature Range  
LH0091C

-25°C to +85°C

Lead Temp. (Soldering, 10 seconds)

260°C

## Electrical Characteristics $V_S = \pm 15V$ , $T_A = 25^\circ C$ unless otherwise noted

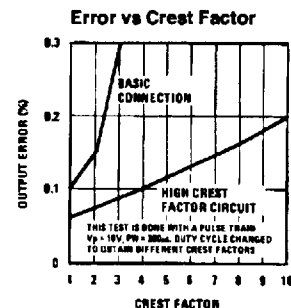
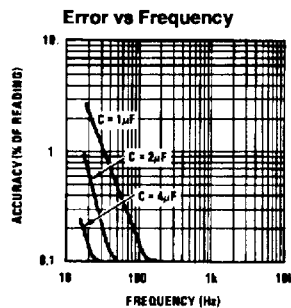
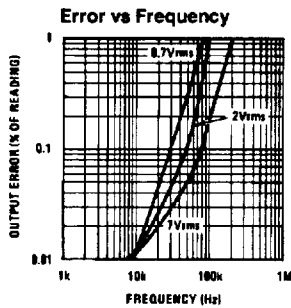
$$\text{Transfer Function} = E_{O(DC)} = \sqrt{\frac{1}{T} \int_0^T E_{IN}^2(t) dt}$$

Parameter	Conditions	Min	Typ	Max	Units
<b>ACCURACY (See Definition of Terms)</b>					
Total Unadjusted Error	50 mVrms ≤ $V_{IN}$ ≤ 7Vrms (Figure 1)		20, ± 0.5	40, ± 1.0	mV, %
Total Adjusted Error	50 mVrms ≤ $V_{IN}$ ≤ 7Vrms (Figure 3)		0.5, ± 0.05	1, ± 0.2	mV, %
Total Unadjusted Error vs Temperature	-25°C ≤ $T_A$ ≤ +70°C		0.25, ± 0.2%		mV, %/°C
Total Unadjusted Error vs Supply Voltage			1		mV/V
<b>AC PERFORMANCE</b>					
Frequency for Specified Adjusted Error	Input = 7Vrms, Sinewave (Figure 3)	30	70		kHz
	Input = 0.7Vrms, Sinewave (Figure 3)		40		KHz
	Input = 0.1Vrms, Sinewave (Figure 3)		20		kHz
Frequency for 1% Additional Error	Input = 7Vrms, Sinewave (Figure 3)	100	200		kHz
	Input = 0.7Vrms, Sinewave (Figure 3)		75		kHz
	Input = 0.1Vrms, Sinewave (Figure 3)		50		kHz
Bandwidth (3 dB)	Input = 7Vrms, Sinewave (Figure 3)		2		MHz
	Input = 0.7Vrms, Sinewave (Figure 3)		1.5		MHz
	Input = 0.1Vrms, Sinewave (Figure 3)		0.8		MHz
Crest Factor	Rated Adjusted Accuracy Using the High Crest Factor Circuit (Figure 5)	5	10		
<b>INPUT CHARACTERISTICS</b>					
Input Voltage Range	For Rated Performance	± 0.05		± 11	Vpeak
Input Impedance		4.5	5		kΩ
<b>OUTPUT CHARACTERISTICS</b>					
Rated Output Voltage	$R_L \geq 2.5 k\Omega$	10			V
Output Short Circuit Current			22		mA
Output Impedance			1		Ω
<b>POWER SUPPLY REQUIREMENTS</b>					
Operating Range		± 5		± 20	V
Quiescent Current	$V_S = \pm 15V$		14	18	mA

## Op Amp Electrical Characteristics $V_S = \pm 15V, T_A = 25^\circ C$ unless otherwise noted

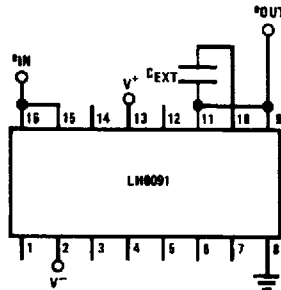
Parameter		Conditions	Min	Typ	Max	Units
$V_{OS}$	Input Offset Voltage	$R_S \leq 10\text{ k}\Omega$		1.0	10	mV
$I_{OS}$	Input Offset Current			4.0	200	nA
$I_B$	Input Bias Current			30	500	nA
$R_{IN}$	Input Resistance			2.5		M $\Omega$
$A_{OL}$	Large Signal Voltage Gain	$V_{OUT} = \pm 10V, R_L \geq 2\text{ k}\Omega$	15	160		V/mv
$V_O$	Output Voltage Swing	$R = 10\text{ k}\Omega$	$\pm 10$	$\pm 13$		V
$V_I$	Input Voltage Range		$\pm 10$			V
CMRR	Common-Mode Rejection Ratio	$R_S \leq 10\text{ k}\Omega$		90		dB
PSRR	Supply Voltage Rejection Ratio	$R_S \leq 10\text{ k}\Omega$		96		dB
$I_{SC}$	Output Short-Circuit Current			25		mA
$S_r$	Slew Rate (Unity Gain)			0.5		V/ $\mu s$
BW	Small Signal Bandwidth			1.0		MHz

## Typical Performance Characteristics



TL/H/5694-3

## Typical Applications (All applications require power supply by-pass capacitors.)



TL/H/5694-4

$C_{EXT} \geq 1\mu F$ ; frequency  $\geq 1\text{ kHz}$

FIGURE 1. LH0091 Basic Connection (No Trim)

## Typical Applications (Continued)

$R_T = 240k$   
 $C_{EXT} \geq 1\mu F, f \geq 1 kHz$

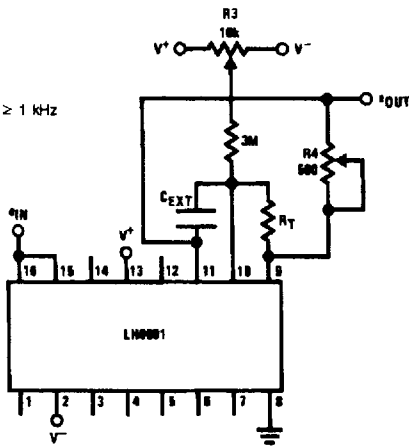


FIGURE 2. LH0091 "Easy Trim" (For ac Inputs Only)

Note. The easy trim procedure is used for ac coupled input signals. It involves two trims and can achieve accuracies of 2 mV offset  $\pm 0.1\%$  reading.

**Procedure:**

1. Apply 100 mV rms (sine wave) to input, adjust R3 until the output reads 100 mV<sub>DC</sub>.
2. Apply 5 V<sub>rms</sub> (sine wave) to input, adjust R4 until the output reads 5 V<sub>DC</sub>.
3. Repeat steps 1 and 2 until the desired initial accuracy is achieved.

R1 = dc symmetry balance  
 R2 = input offset  
 R3 = Output offset  
 R4 = Gain adjust

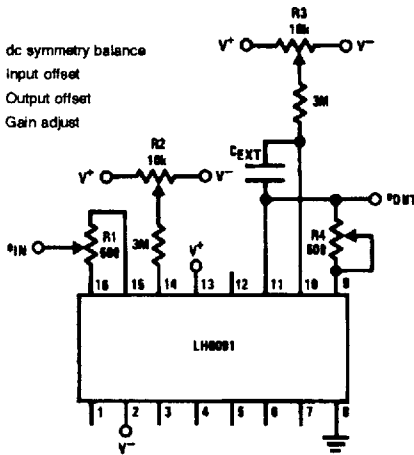
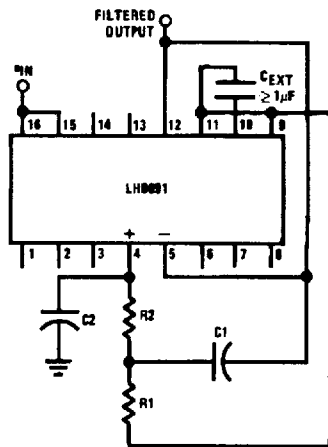


FIGURE 3. LH0091 Standard dc Trim Procedure

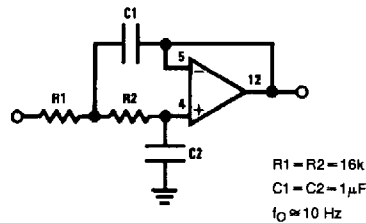
Note. This procedure will give accuracies of 0.5 mV offset  $\pm 0.05\%$  reading for inputs from 0.05V peak to 10V peak.

**Procedure:**

1. Apply 50 mV<sub>DC</sub> to the input. Read and record the output.
2. Apply  $-50 mV_{DC}$  to the input. Use R2 to adjust for an output of the same magnitude as in step 1.
3. Apply 50 mV to the input. Use R3 to adjust the output for 50 mV.
4. Apply  $-50 mV$  to input. Use R2 to adjust the output for 50 mV.
5. Apply  $\pm 10V$  alternately to the input. Adjust R1 until the output readings for both polarities are equal (not necessary that they be exactly 10V).
6. Apply 10V to the input. Use R4 to adjust for 10V at the output.
7. Repeat this procedure to obtain the desired accuracy.



Note. The additional op amp in the LH0091 may be used as a low pass filter as shown in Figure 4.

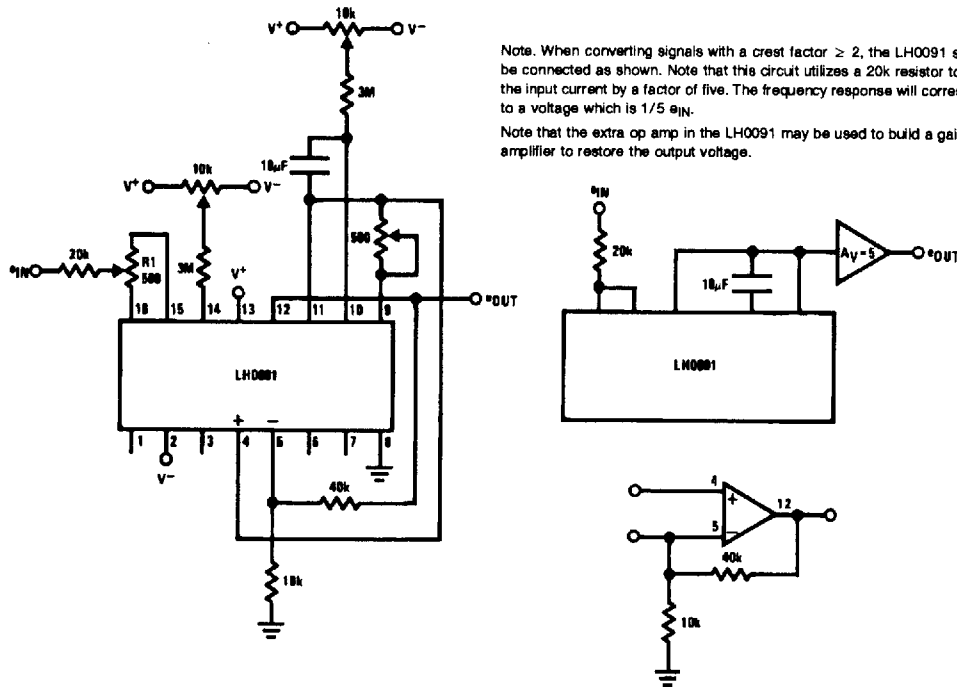


$R1 = R2 = 16k$   
 $C1 = C2 = 1\mu F$   
 $f_c \approx 10 Hz$

TL/HV5694-6

FIGURE 4. Output Filter Connection Using the Internal Op Amp

## Typical Applications (Continued)



Note. Response time of the dc output voltage is dominated by the RC time constant consisting of the total resistance between pins 9 and 10 and the external capacitor,  $C_{EX}$ .

FIGURE 5. High Crest Factor Circuit

TL/H/5694-7

## Definition of Terms

**True rms to dc Converter:** A device which converts any signal (ac, dc, ac + dc) to the dc equivalent of the rms value.

**Error:** is the amount by which the actual output differs from the theoretical value. Error is defined as a sum of a fixed term and a percent of reading term. The fixed term remains constant, regardless of input while the percent of reading term varies with the input.

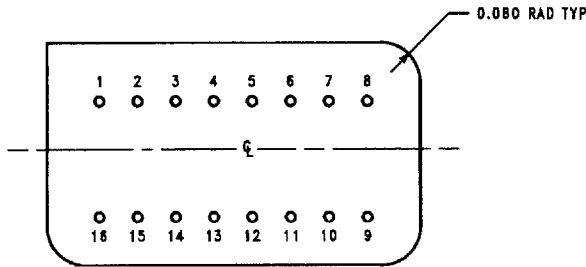
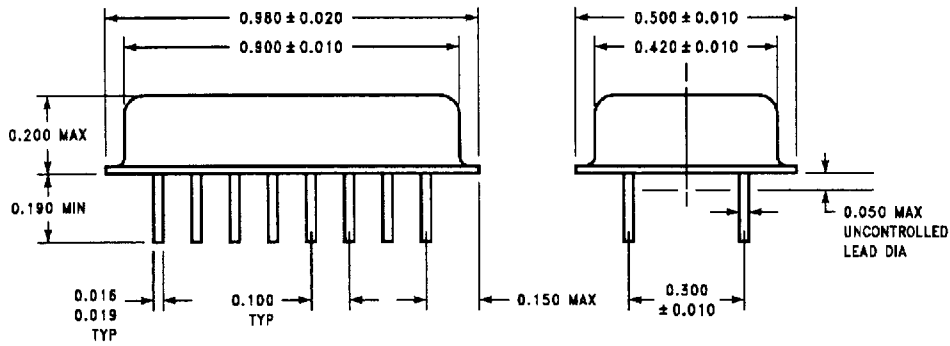
**Total Unadjusted Error:** The total error of the device without any external adjustments.

**Bandwidth:** The frequency at which the output dc voltage drops to 0.707 of the dc value at low frequency.

**Frequency for Specified Error:** The error at low frequency is governed by the size of the external averaging capacitor. At high frequencies, error is dependent on the frequency response of the internal circuitry. The frequency for specified error is the maximum input frequency for which the output will be within the specified error band (i.e., frequency for 1% error means the input frequency must be less than 200 kHz to maintain an output with an error of less than 1% of the initial reading).

**Crest Factor:** is the peak value of a waveform divided by the rms value of the same waveform. For high crest factor signals, the performance of the LH0091 can be improved by using the high crest factor connection.

**Physical Dimensions** inches (millimeters)



**Dual-In-Line Package**  
**Order Number LH0091CD**  
**NS Package D16D**

D16D (REV C)

**LIFE SUPPORT POLICY**

NATIONAL'S PRODUCTS ARE NOT AUTHORIZED FOR USE AS CRITICAL COMPONENTS IN LIFE SUPPORT DEVICES OR SYSTEMS WITHOUT THE EXPRESS WRITTEN APPROVAL OF THE PRESIDENT OF NATIONAL SEMICONDUCTOR CORPORATION. As used herein:

1. Life support devices or systems are devices or systems which, (a) are intended for surgical implant into the body, or (b) support or sustain life, and whose failure to perform, when properly used in accordance with instructions for use provided in the labeling, can be reasonably expected to result in a significant injury to the user.
2. A critical component is any component of a life support device or system whose failure to perform can be reasonably expected to cause the failure of the life support device or system, or to affect its safety or effectiveness.

**National Semiconductor Corporation**  
1111 West Bardin Road  
Arlington, TX 76017  
Tel: 1(800) 272-9959  
Fax: 1(800) 737-7018

**National Semiconductor Europe**  
Fax: (+49) 0-180-530 85 86  
Email: cnjwge@tevm2.nsc.com  
Deutsch Tel: (+49) 0-180-530 85 85  
English Tel: (+49) 0-180-532 78 32  
Français Tel: (+49) 0-180-532 93 58  
Italiano Tel: (+49) 0-180-534 16 80

**National Semiconductor Hong Kong Ltd.**  
13th Floor, Straight Block,  
Ocean Centre, 5 Canton Rd,  
Tsimshatsui, Kowloon  
Hong Kong  
Tel: (852) 2737-1600  
Fax: (852) 2736-9960

**National Semiconductor Japan Ltd.**  
Tel: 81-043-299-2309  
Fax: 81-043-299-2408

National does not assume any responsibility for use of any circuitry described, no circuit patent licenses are implied and National reserves the right at any time without notice to change said circuitry and specifications.