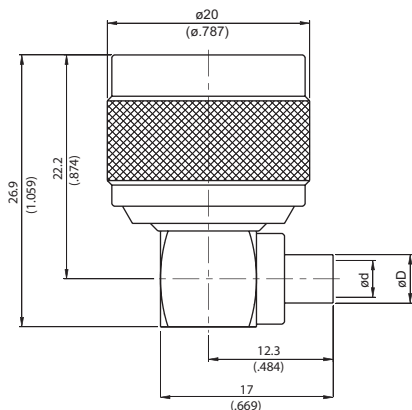
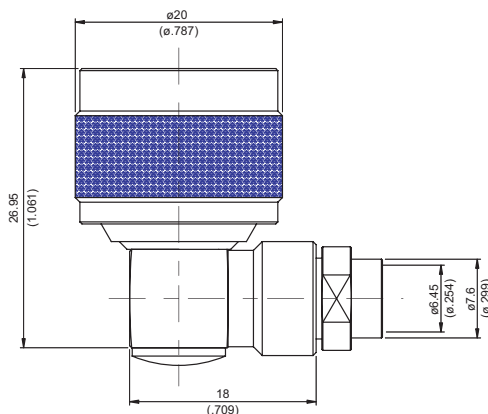


► **N PLUG SOLDER RIGHT ANGLE**



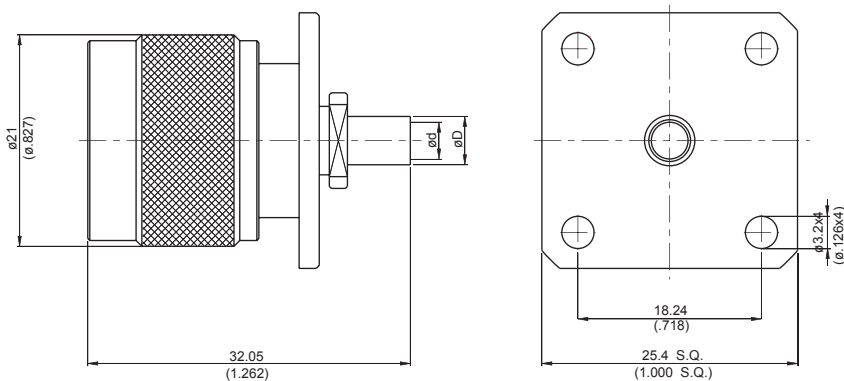
Part Number	Measurements	Weight	Material	Suitable Cables
N3300-9085	ød=2.3(.091) øD=4(.157)	30.26g	A11	Semi-rigid .085
N3300-9141	ød=3.65(.144) øD=4.8(.189)	30.02g	A11	Semi-rigid .141

► **N PLUG SOLDER RIGHT ANGLE**



Part Number	Material	Suitable Cables
N3300B-9250	A11	Semi-rigid .250

► **N PLUG SOLDER CLAMP FOR PANEL RECEPTACLE**



Part Number	Measurements	M.H.	Weight	Material	Suitable Cables
N3346-0085	ød=2.3(.091) øD=4(.157)	25		A11	Semi-rigid .085
N3346-0141	ød=3.65(.144) øD=4.8(.189)	25	44.66g	A11	Semi-rigid .141