



SAW multimedia filters

Series/Type: G4963D

The following products presented in this data sheet are being withdrawn.

Ordering Code	Substitute Product	Date of Withdrawal	Deadline Last Orders	Last Shipments
B39389G4963N201		2011-01-14	2011-09-30	2012-09-30

For further information please contact your nearest EPCOS sales office, which will also support you in selecting a suitable substitute. The addresses of our worldwide sales network are presented at www.epcos.com/sales.

© EPCOS AG 2015. Reproduction, publication and dissemination of this publication, enclosures hereto and the information contained therein without EPCOS' prior express consent is prohibited.

EPCOS AG is a TDK Group Company.

SAW Components
G 4963 D
Vestigial Sideband Filter
38,90 MHz
Data Sheet
Standard

 Duroplast package **SIP5D**

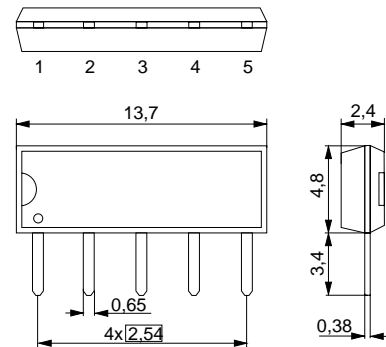
- B/G

Features

- IF filter for antenna converters
- Full transmission of vestigial sideband and sound carrier
- Group delay predistortion for transmitters

Terminals

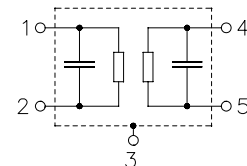
- Tinned CuFe alloy



Dimensions in mm, approx. weight 0,5 g

Pin configuration

- | | |
|---|-----------------------|
| 1 | Input |
| 2 | Input - ground |
| 3 | Chip carrier - ground |
| 4 | Output |
| 5 | Output |



Type	Ordering code	Marking and package according to	Packing according to
G 4963 D	B39389-G4963-N201	C61157-A1-A21	F61074-V8049-Z000

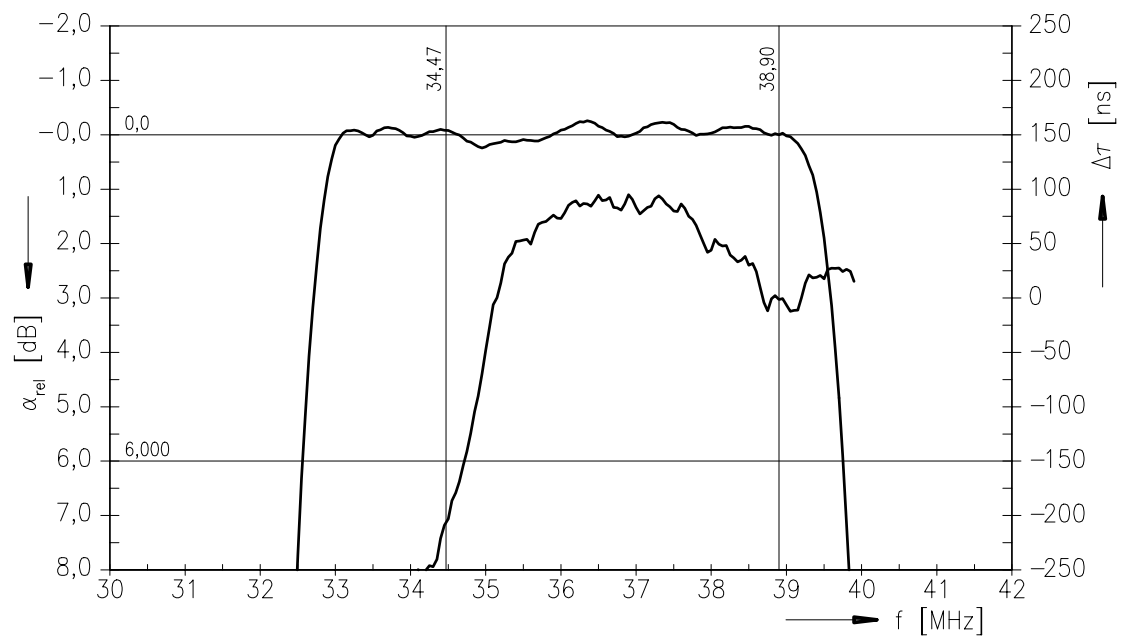
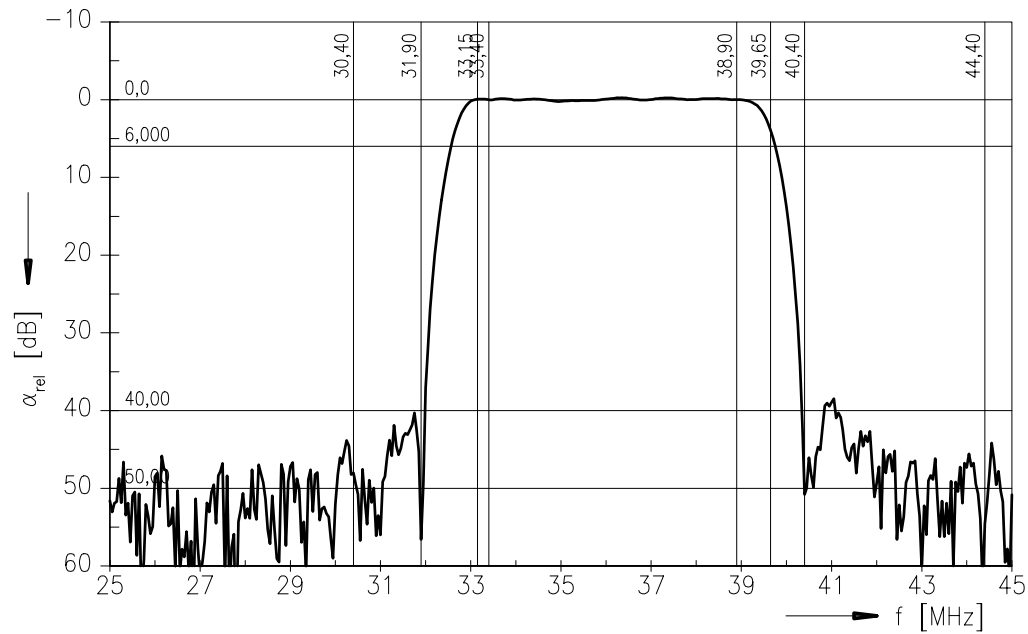
Maximum ratings

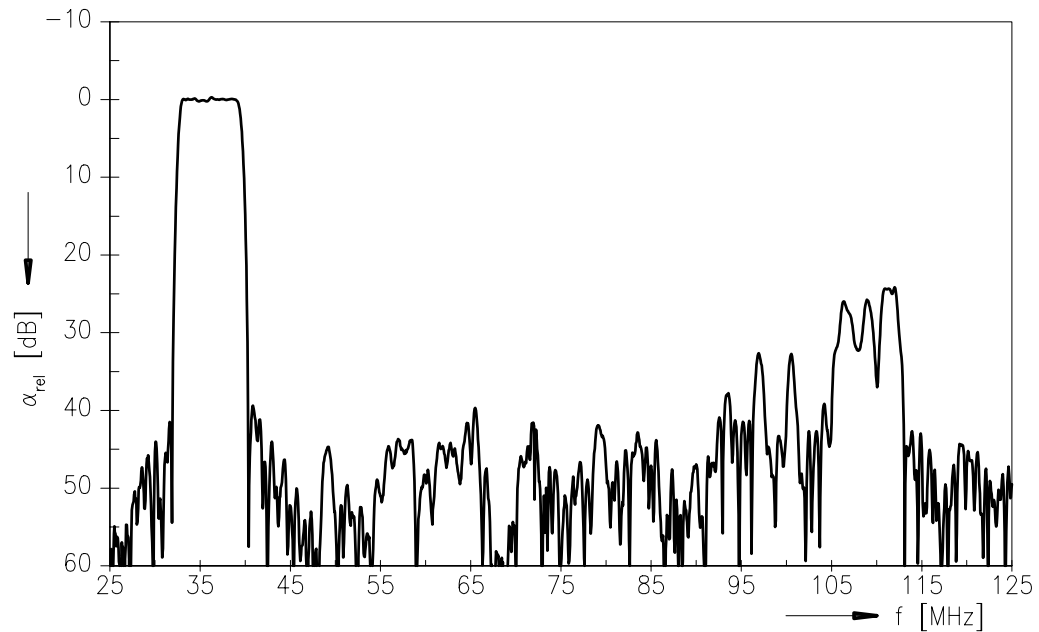
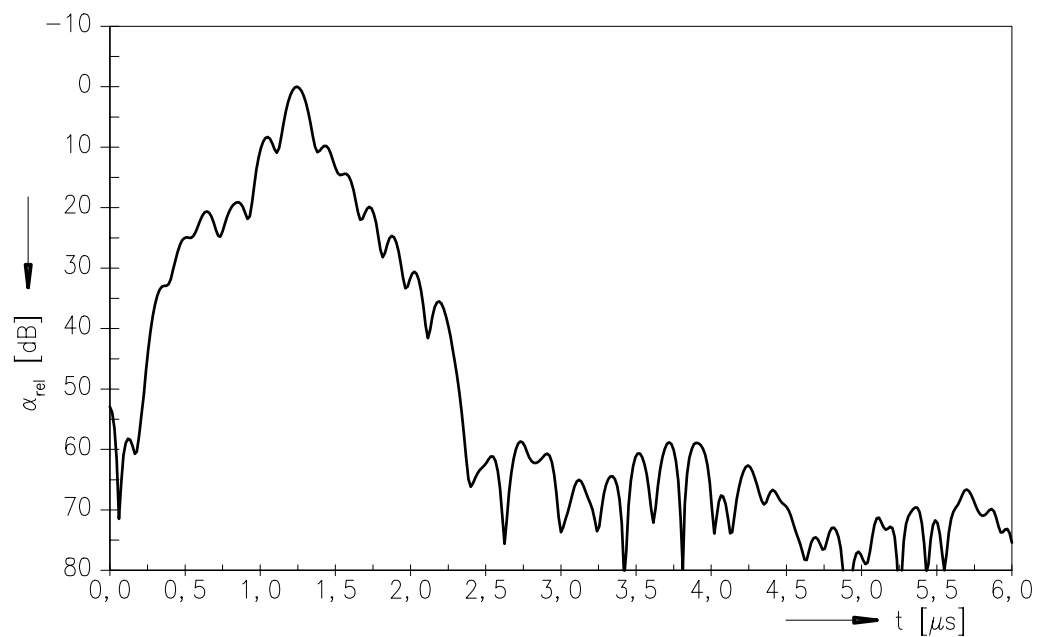
Operable temperature range	T_A	- 25/+ 65	°C	
Storage temperature range	T_{stg}	- 40/+ 85	°C	
DC voltage	V_{DC}	5	V	between any terminals
AC voltage	V_{pp}	10	V	between any terminals

SAW Components
G 4963 D
Vestigial Sideband Filter
38,90 MHz
Data Sheet
Characteristics

Reference temperature: $T_A = 25\text{ °C}$
 Terminating source impedance: $Z_S = 50\ \Omega$
 Terminating load impedance: $Z_L = 2\text{ k}\Omega \parallel 3\text{ pF}$

		min.	typ.	max.	
Insertion attenuation					
	α				
Reference level for the following data	38,90 MHz	16,0	18,5	20,0	dB
Relative attenuation					
	α_{rel}				
	39,65 MHz	3,2	4,4	5,6	dB
Sound carrier	33,40 MHz	-1,0	0,0	1,0	dB
2nd sound carrier	33,15 MHz	-1,1	-0,1	0,9	dB
Adjacent picture carrier	31,90 MHz	38,0	57,0	—	dB
Adjacent sound carrier	40,40 MHz	40,0	51,0	—	dB
	44,40 MHz	42,0	51,0	—	dB
Lower sidelobe	25,00 ... 30,40 MHz	39,0	45,0	—	dB
	30,40 ... 31,90 MHz	37,0	42,0	—	dB
Upper sidelobe	40,40 ... 45,00 MHz	35,0	40,0	—	dB
Reflected wave signal suppression					
1,3 μ s ... 6,0 μ s after main pulse (test pulse 250 ns, carrier frequency 38,90 MHz)		42,0	52,0	—	dB
Feedthrough signal suppression					
1,4 μ s ... 1,3 μ s before main pulse (test pulse 250 ns, carrier frequency 38,90 MHz)		50,0	56,0	—	dB
Group delay predistortion					
(reference frequency 38,90 MHz)					
	$\Delta\tau$				
	36,90 MHz	—	90	—	ns
	34,47 MHz	—	-200	—	ns
Impedance at 38,90 MHz					
	Input: $Z_{IN} = R_{IN} \parallel C_{IN}$	—	1,4 \parallel 18,4	—	k Ω \parallel pF
	Output: $Z_{OUT} = R_{OUT} \parallel C_{OUT}$	—	4,5 \parallel 4,1	—	k Ω \parallel pF
Temperature coefficient of frequency					
	TC_f	—	-72	—	ppm/K

Data Sheet
Frequency response


Data Sheet
Frequency response

Time domain response


SAW Components**G 4963 D****Vestigial Sideband Filter****38,90 MHz**

Data Sheet

Published by EPCOS AG**Surface Acoustic Wave Components Division, SAW CE MM PD****P.O. Box 80 17 09, D-81617 München**

© EPCOS AG 2003. Reproduction, publication and dissemination of this brochure and the information contained therein without EPCOS' prior express consent is prohibited.

Purchase orders are subject to the General Conditions for the Supply of Products and Services of the Electrical and Electronics Industry recommended by the ZVEI (German Electrical and Electronic Manufacturers' Association), unless otherwise agreed.

This brochure replaces the previous edition.

For questions on technology, prices and delivery please contact the Sales Offices of EPCOS AG or the international Representatives.

Due to technical requirements components may contain dangerous substances. For information on the type in question please also contact one of our Sales Offices.