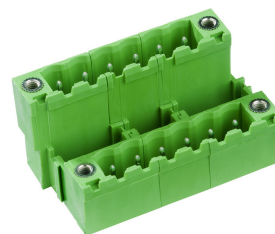


# STLZ970/..F-5.08-V-GREEN



## Technical Data

Wire Sizes		Insulating Material	
Solid min	-	Material	PBT
solid max	-	Flammability Class	UL 94 V-0
Stranded (flexible)		<b>Temperatures</b>	
min	-	Operating Temperature	-30 °C - 105 °C
Stranded (flexible)		<b>Wave Soldering Process</b>	
min	-	Soldering Temperature, recommended	265 °C
Stranded with Ferrule		Peak Soldering Time, recommended	3-4 s
min	-	<b>Reflow Process</b>	
Stranded with Ferrule		Soldering Temperature, recommended	-
max	-	Peak Soldering Time, recommended	-
<b>Dimensions</b>			
Stripped Length			
PCB Hole Diameter	1.4 mm		
<b>Materials</b>			
Flansch	Brass		
Gewindeinsatz			
Contact Pin	Copper Alloy		

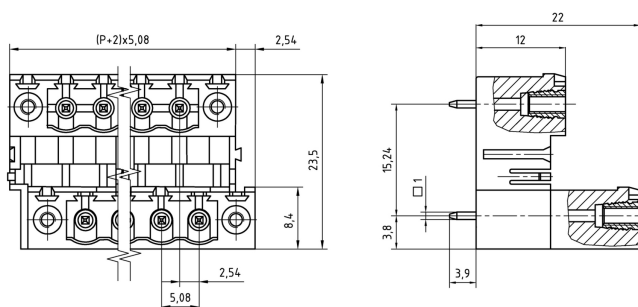
## Colours

GREEN	RAL6018	
-------	---------	--

Colours according to RAL, there may be variations on colour due to production conditions.  
Special colours on request.

## Counterparts (Spacing 5.08 mm)

Pin Strip/Terminal Blocks				
AKZ950	AKZ4951	AKZ1200	AKZ1110	AKZ1100



## Order Data (Spacing mm)

Poles	Width (mm)	Article Designation	Article Number	PU
2	22.86	STLZ970/2F-5.08-V-GREEN	50970026121D	50
3	27.94	STLZ970/3F-5.08-V-GREEN	50970036121D	50
4	33.02	STLZ970/4F-5.08-V-GREEN	50970046121D	50
5	38.10	STLZ970/5F-5.08-V-GREEN	50970056121D	50
6	43.18	STLZ970/6F-5.08-V-GREEN	50970066121D	50
7	48.26	STLZ970/7F-5.08-V-GREEN	50970076121D	50
8	53.34	STLZ970/8F-5.08-V-GREEN	50970086121D	50
9	58.42	STLZ970/9F-5.08-V-GREEN	50970096121D	50
10	63.50	STLZ970/10F-5.08-V-GREEN	50970106121D	50
11	68.58	STLZ970/11F-5.08-V-GREEN	50970116121D	50
12	73.66	STLZ970/12F-5.08-V-GREEN	50970126121D	50

## Accessories

Figure	Designation	Article Number
	Coding star CS2-5.0/5.08-RED	50000000024



	Dividing element SE-STL950-GREEN	50950000002
--	----------------------------------	-------------



## Ratings



Usegroup	B	C	D	
Rated Voltage	300 V	150 V	300 V	250 V
Rated Current	15 A	15 A	10 A	12 A
Overtoltage Category				III
Test Voltage	1.6 kV	1.6 kV	1.6 kV	4.0 kV
Pollution Degree				3