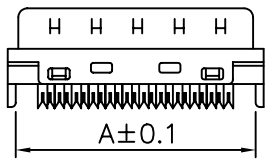
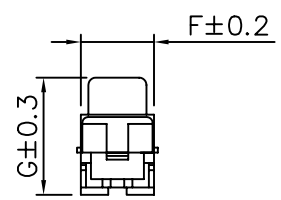
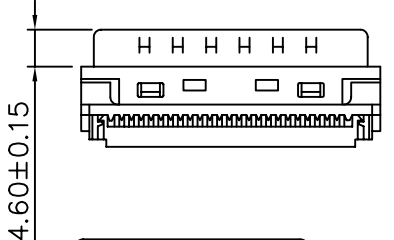
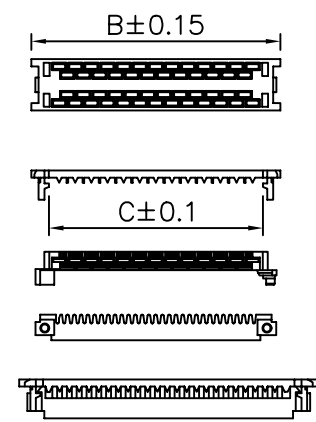
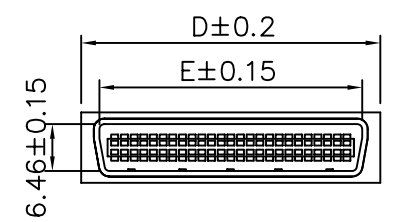


SPECIFICATION

Current Rating: 1A
 Insulation Resistance : 500 Megohms/Min.
 Withstanding Voltage : 500V AC/RMS For 1 Minute
 Contact Resistance : 35 Milliohms Max.
 Temperature Range : -55°C To +105°C
 Housing And Cover : Plastic Thermoplastic

P.B.T UL 94V-0, Black
 Contact: Phosphor Bronze Gold Selective Plated
 Shell : Steel, Nickel Plated Over Copper
 Back Shell: Zinc Plated Nickel Over Copper
 Jackscrew : Steel Nickel Plated Over Copper
 Screw : Steel Nickel Plated Over Copper
 Cable Clipper: Steel Nickel Plated



Circuits	A	B	C	D	E	F	G	H	I
50	37.30	39.30	34.10	39.30	35.60	9.30	13.70	31.80	53.10
68	48.73	50.70	45.50	50.60	46.95	9.30	13.60	42.40	63.80

AUK A MEMBER OF AUK GROUP
太聯事業股份有限公司
AUK CONTRACTORS CO., LTD.

CATEGORY		APPROVED BY		UNLESS OTHERWISE SPECIFIED TOLERANCES ARE .X .XX .XXX					
Half Pitch		MEI							
PART No.		CHECKED BY							
HPCXXXPFM		RAN							
DRAWING No.		DRAWING BY							
HPCXXXPFM		LXH							
SCALE	NONE	REV.	A	UNIT	mm	AREA	REVISIONS	CHK	DATE