

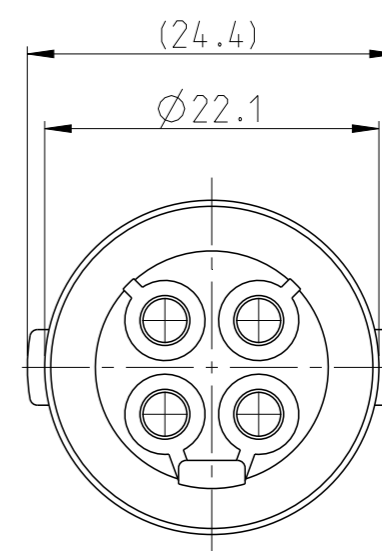
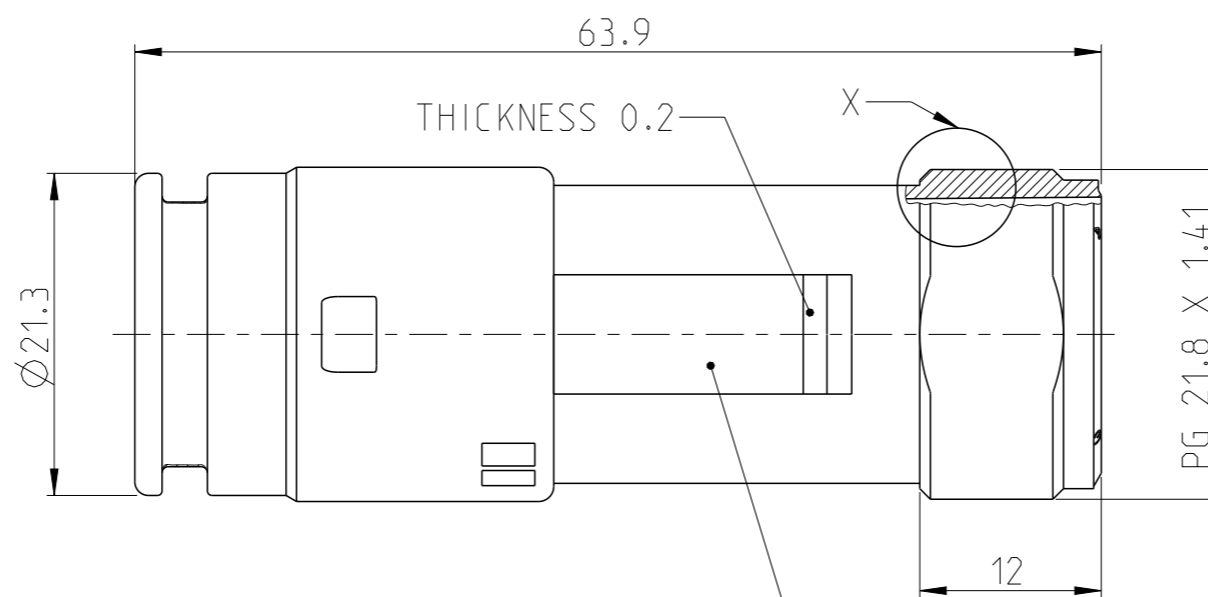
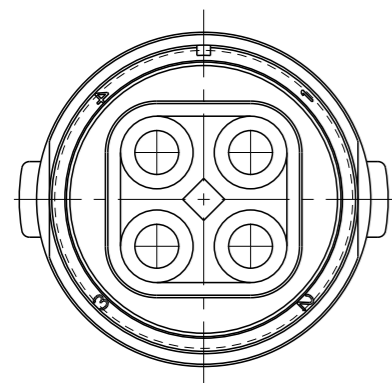
LOC FM DIST 1

REVISIONS

P	LTR	DESCRIPTION	DATE	DWN	APVD
	H1	ECR-11-019262	25OCT2011	GN	GB
	H2	ECR-16-009474	21JUL2016	LSZ	GB

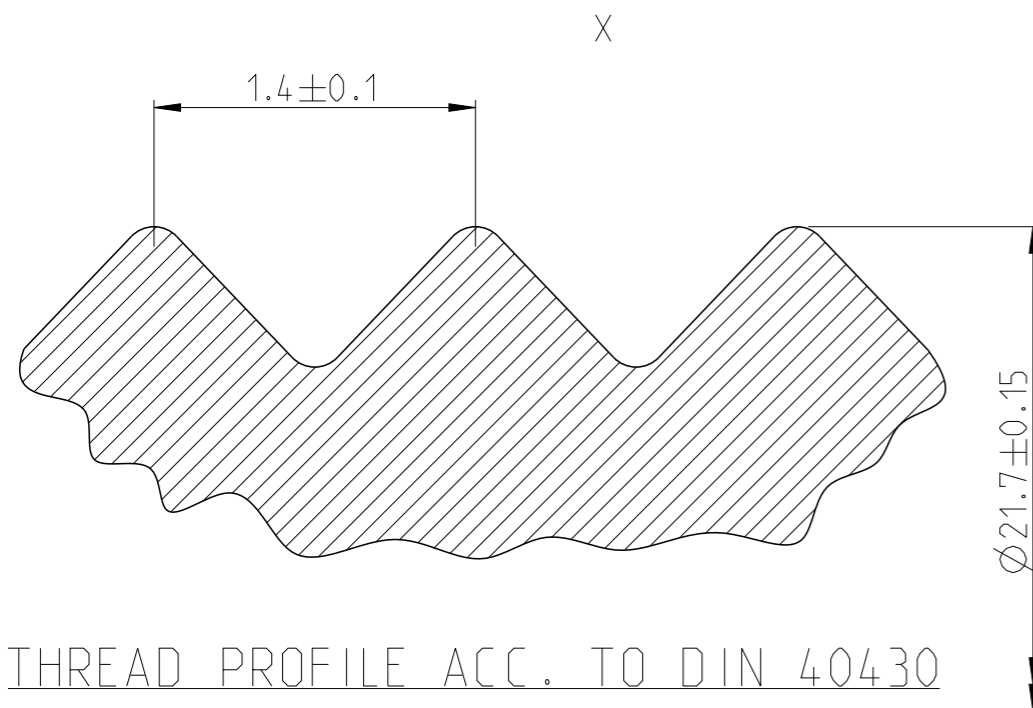
NOTE:

- "O"-RING IS LUBRICATED WITH A SOLUTION OF:
 - DODUCONTA B25 - 50%
 - ISOPROPYL ALCOOL - 50%



O-RING PN: 188522-1

BOTH SIDES OPTIONAL UNDER DISCUSSION WITH SUPPLIER



FOR REFERENCE ONLY WILL NOT BE UPDATED

THIS DRAWING IS A CONTROLLED DOCUMENT.	
DIMENSIONS: mm	TOLERANCES UNLESS OTHERWISE SPECIFIED:
	0 PLC ±
	1 PLC ±
	2 PLC ±
	3 PLC ±
	4 PLC ±
	ANGLES ±
MATERIAL -	FINISH -

H2

OBSOLETE

OBSOLETE

COLOR	MATERIAL	PART NUMBER
YELLOW	ZYTEL ST 801, UV. RESISTANT POLYAMIDE 6.6	5-215274-4
RED		5-215274-3
BLACK		5-215274-2
WHITE		5-215274-1
YELLOW	ZYTEL 101, POLYAMIDE	215274-4
RED		215274-3
BLACK		215274-2
WHITE		215274-1



NAME 4 POS ECONOSEAL SERIES EH CONNECTOR CAP ASSY, THREAD			
SIZE A3	CAGE CODE 00779	DRAWING NO C-215274	RESTRICTED TO -
CUSTOMER DRAWING		SCALE 2:1	SHEET 1 OF 1
		REV H2	