



Raychem

TE Internal #: 304531-000

Multicore Cable, Spec 55F, 600V Voltage Rating, Operating Temperature Range -65 – 150 °C, 22AWG Wire Size, .3255mm²

Wire Size, 1 Conductor

[View on TE.com >](#)

Wire & Cable > Multicore Cable



Cable Type: **Spec 55F**

Voltage Rating: **600 V**

Shielded: **Yes**

Shield Material: **Tin-Plated Copper**

Jacket Color: **Black**

Features

Product Type Features

Product Classification	Cable - High Performance - Spec 44, 55 & RCW
Product Type	Cable
Cable Type	Spec 55F
Shielded	Yes
Cable Style	Primary

Configuration Features

Number of Conductors	1
----------------------	---

Electrical Characteristics

Voltage Rating	600 V
----------------	-------

Body Features

Shield Material	Tin-Plated Copper
Jacket Color	Black
Wire Color	Light Violet with Green Stripe
Conductor Material	Tin-Plated Copper

Dimensions

Wire Size	.3255 mm ²
-----------	-----------------------



Usage Conditions

Operating Temperature Range	-65 – 150 °C
-----------------------------	--------------

Other

Comment	Internal wire sizes 22-10 meets or exceeds all requirements of SAE AS85485/9, less identification., Product meets or exceeds all requirements of SAE AS85485/12 for 22-10 AWG, less identification.
Wire Source	United States

Product Compliance

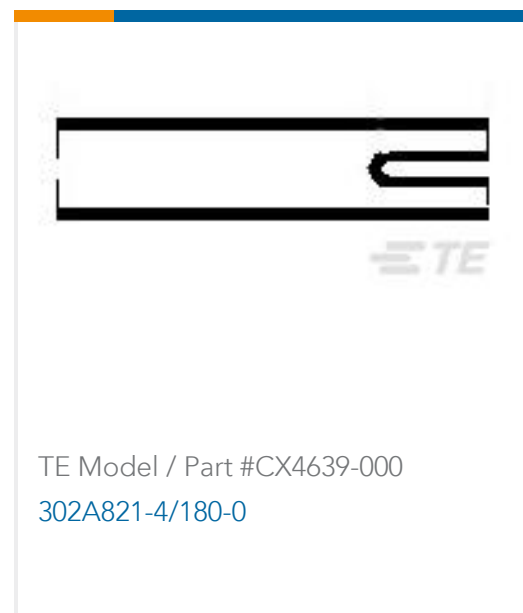
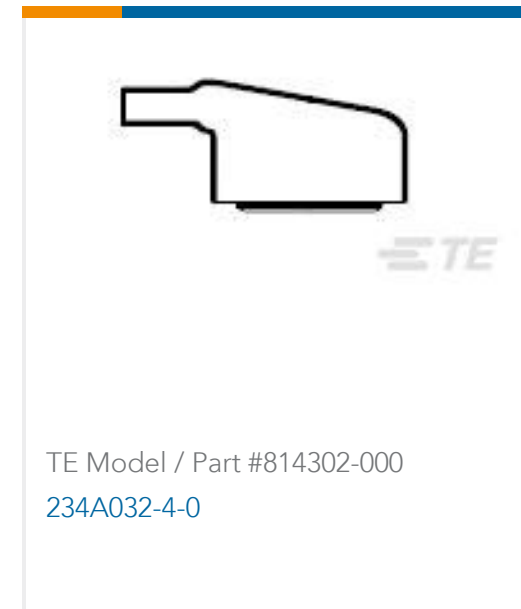
[For compliance documentation, visit the product page on TE.com>](#)

EU RoHS Directive 2011/65/EU	Compliant
EU ELV Directive 2000/53/EC	Compliant
China RoHS 2 Directive MIIT Order No 32, 2016	No Restricted Materials Above Threshold
EU REACH Regulation (EC) No. 1907/2006	Current ECHA Candidate List: JUN 2020 (209) Candidate List Declared Against: JAN 2019 (197) Does not contain REACH SVHC
Halogen Content	Out of Scope - excluded from Halogen requirements
Solder Process Capability	Not applicable for solder process capability

Product Compliance Disclaimer

This information is provided based on reasonable inquiry of our suppliers and represents our current actual knowledge based on the information they provided. This information is subject to change. The part numbers that TE has identified as EU RoHS compliant have a maximum concentration of 0.1% by weight in homogenous materials for lead, hexavalent chromium, mercury, PBB, PBDE, DBP, BBP, DEHP, DIBP, and 0.01% for cadmium, or qualify for an exemption to these limits as defined in the Annexes of Directive 2011/65/EU (RoHS2). Finished electrical and electronic equipment products will be CE marked as required by Directive 2011/65/EU. Components may not be CE marked. Additionally, the part numbers that TE has identified as EU ELV compliant have a maximum concentration of 0.1% by weight in homogenous materials for lead, hexavalent chromium, and mercury, and 0.01% for cadmium, or qualify for an exemption to these limits as defined in the Annexes of Directive 2000/53/EC (ELV). Regarding the REACH Regulation, the information TE provides on SVHC in articles for this part number is based on the latest European Chemicals Agency (ECHA) 'Guidance on requirements for substances in articles' posted at this URL: <https://echa.europa.eu/guidance-documents/guidance-on-reach>

Customers Also Bought



Documents

Product Drawings

[55FB1511-22-7L5-0](#)

English

Datasheets & Catalog Pages

[1654025_Sec9_55F](#)

English

Raychem Wire and Cable Quick Reference Guide

English

Product Specifications

[Product Specification](#)

English