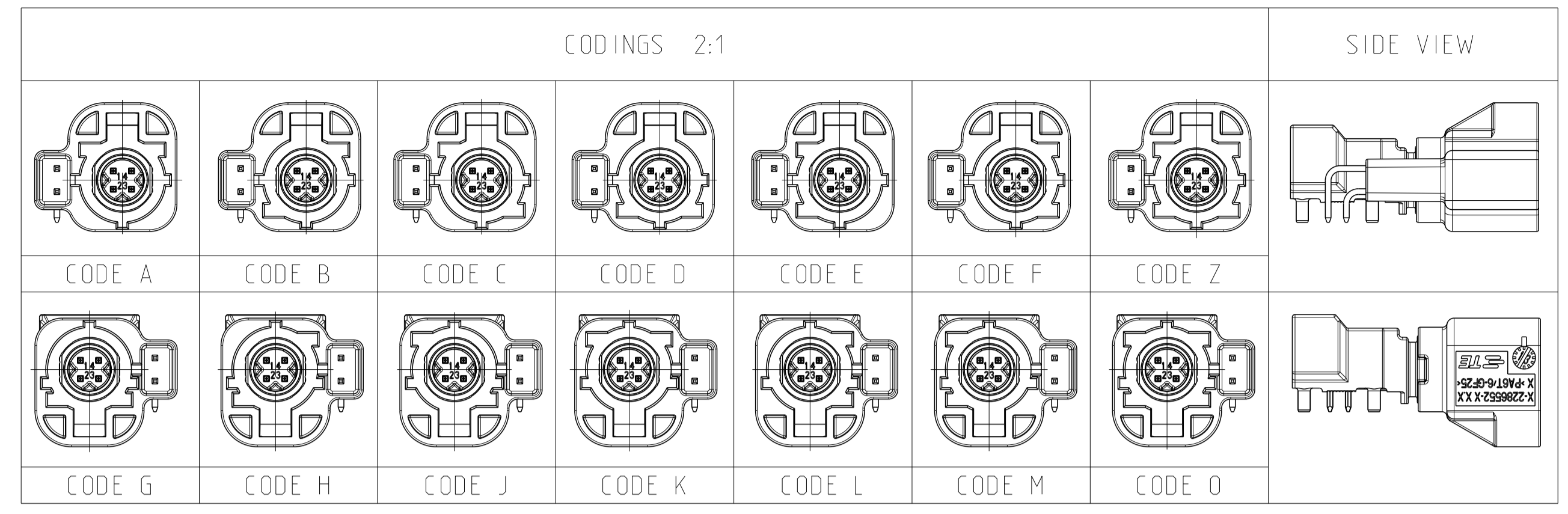
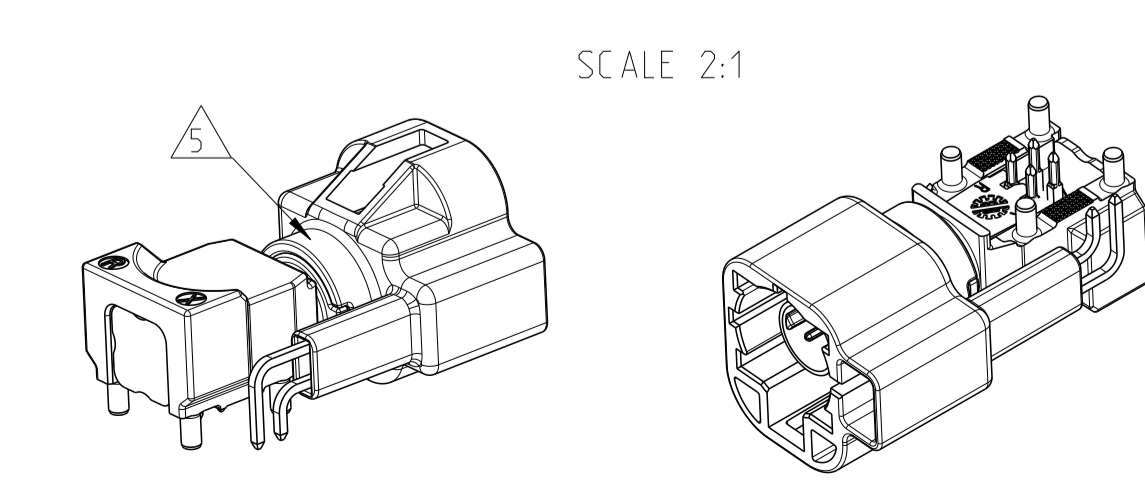
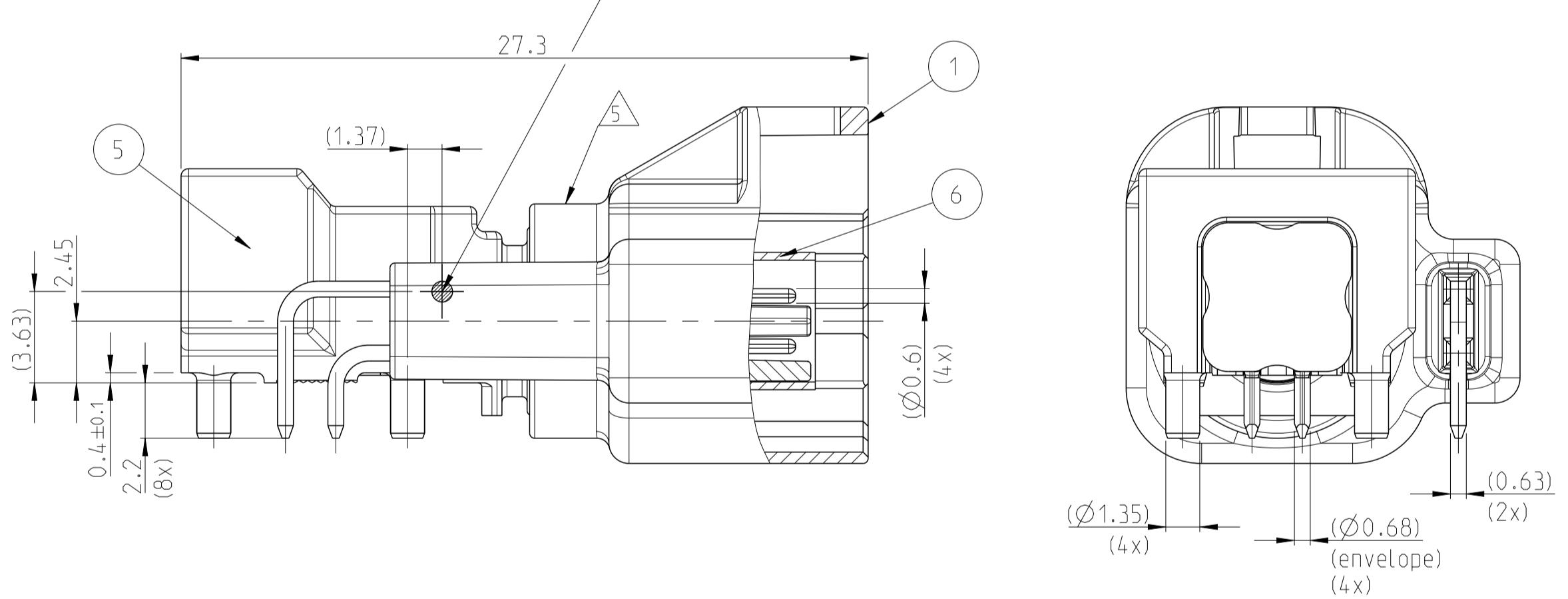
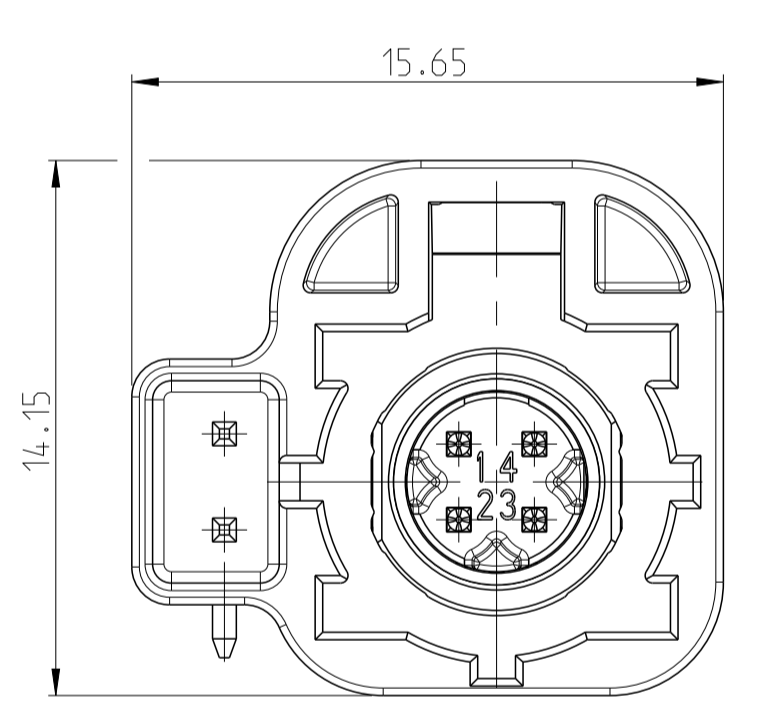
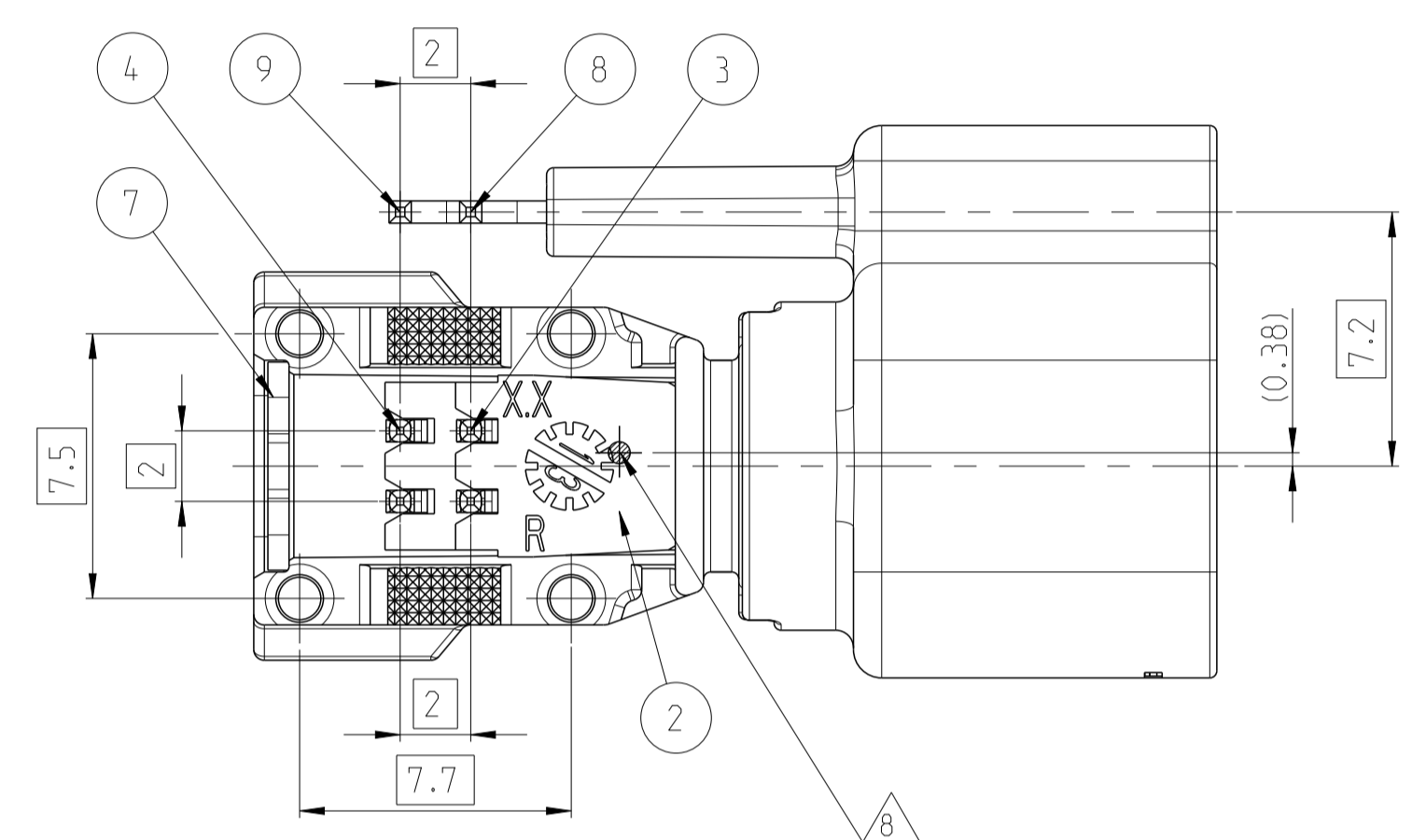


LOC	DIST	REVISIONS					
		P	LTN	DESCRIPTION	DATE	DMN	APVD
A7		E-15-000302			15 JUL 2015	AL	MR
B		E-15-017552			10 DEC 2015	RM	MR
B1		E-16-004379			28 FEB 2017	AW	MR
C		E-18-008903			11 JUN 2018	MW	MR



- NOTES
Bemerkung
- ONLY THE GERMAN LANGUAGE SHALL BE BINDING
Massgebend ist der deutsche Text
 - DETAILS OF DESIGN ARE LEFT TO TE CONNECTIVITY
Einzelheiten der Ausfuehrung bleiben TE CONNECTIVITY ueberlassen
 - HSD INTERFACE ACC. TO TE SPEC. 114-18950
HSD Schnittstelle nach TE-Spez. 114-18950
 - PACKAGING TAPE AND REEL
Verpackung Blistergurt
 - MARKING OF 100% TEST PASSED
Gueteilmarkierung nach bestandener 100% Pruefung
 - FOR FITTING HSD CONNECTOR PLEASE CONTACT TE CONNECTIVITY
Fuer passenden gegenstecker bitte TE Connectivity kontaktieren
 - ALL DIMENSIONS IN BRACKETS () FOR INFORMATION ONLY
Alle Masse in Klammern () nur zur Information
 - CENTER OF GRAVITY
Schwerpunkt
 - PCB LAYOUT ACCORDING TO TE SPEC. 114-94381
Platinenlayout nach TE-Spez. 114-94381
- WEIGHT [g]: 7.10
Gewicht [g]: 7.10
- AS SHOWN / wie gezeigt Codierung Z



QTY	DESCRIPTION	MATERIAL	FINISH COLOUR, SIMILAR RAL	ITEM NO
1	MQS PIN (LONG)	CuSn4	TIN PLATING	9
1	MQS Pin (lang)		Verzinnung	8
1	MQS PIN (SHORT)			
1	MQS Pin (kurz)			
1	SHIELDING CAP	CuZn37	TIN PLATING	7
1	Schirmkappe		Verzinnung	
1	SHIELDING TUBE	Cu-DHP	INTERFACE SIDE: NICKEL PLATING	6
1	Schirmrohr		MIN. 3-6µm Steckseite: Vernickelung min. 3-6µm	
1	SHIELDING BODY	ZnAl4Cu1	SOLDER SIDE: TIN PLATING	5
1	Schirmgehäuse		Lotseite: Verzinnung	
2	CONTACT PIN (LONG)		SOLDER SIDE: TIN PLATING MIN 3µm	4
2	Kontaktpin (Lang)		Lotseite: Verzinnung min. 3µm	
2	CONTACT PIN (SHORT)	CuSn4	INTERFACE SIDE: GOLD PLATING	3
2	Kontaktpin (kurz)		Steckseite: Vergoldung	
1	CAVITY BLOCK	PA4T-GF30 or alternative	BLACK	2
1	Kontaktraeger			
1	0		LIGHT GREEN. 6027	1
1	M		PASTEL ORANGE. 2003	
1	L		YELLOW GREEN. 6018	
1	K		CURRY. 1027	
1	J		BEIGE. 1001	
1	H		HEATHER VIOLET. 4003	
1	G		BLuish GREY. 7031	
1	Z		WATER BLUE. 5021	
1	F		NUT BROWN. 8011	
1	E		LEAF GREEN. 6002	
1	D		CLARET VIOLET. 4004	
1	C		SIGNAL BLUE. 5005	
1	B		CREAM WHITE. 9001	
1	A		JET BLACK. 9005	

QUANTITY	CODE	DESCRIPTION	MATERIAL	FINISH COLOUR, SIMILAR RAL	ITEM NO
0-1, 0-2, 0-3, 0-4, 0-5, 0-6, 0-9, 1-1, 1-2, 1-3, 1-4, 1-5, 1-6, 1-9		ASSY NO X-228650-Y			
A, B, C, D, E, F, Z, G, H, J, K, L, M, O		ASSY CODE			
C, C, C, C, C, C, C, C, C, C, C, C, C, C		REVISION			

THIS DRAWING IS A CONTROLLED DOCUMENT.

DMN: A. Weiss 15 JUL 2014
 CHK: M. Reinhardt 15 JUL 2014
 APVD: M. Reinhardt 15 JUL 2014

DIMENSIONS: mm
 TOLERANCES UNLESS OTHERWISE SPECIFIED:
 0 PLC ± 0.3
 1 PLC ± 0.3
 2 PLC ± 0.3
 3 PLC ± 0.3
 4 PLC ± 0.3
 ANGLES ± 0.5

MATERIAL: -
 FINISH: -

PRODUCT SPEC: 108-94479
 APPLICATION SPEC: 114-94381

WEIGHT: -
 Customer Drawing

NAME: HSD 90-2MQS HEADER
 HSD 90-2MQS Stecker

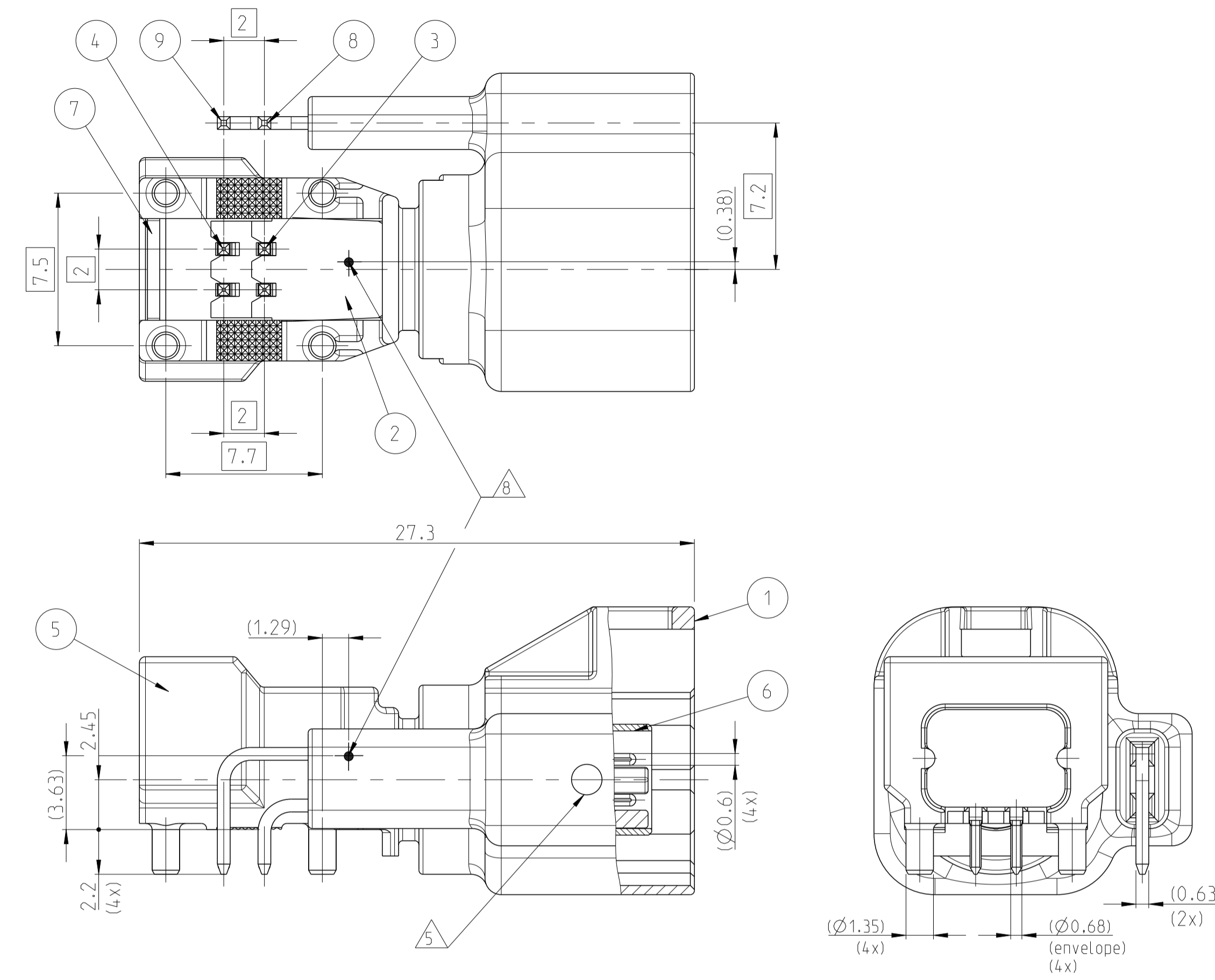
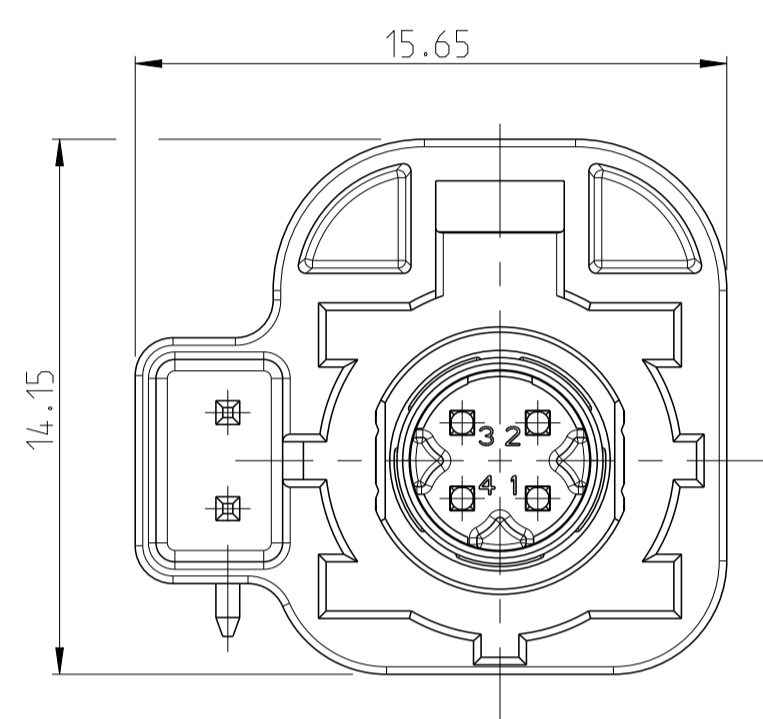
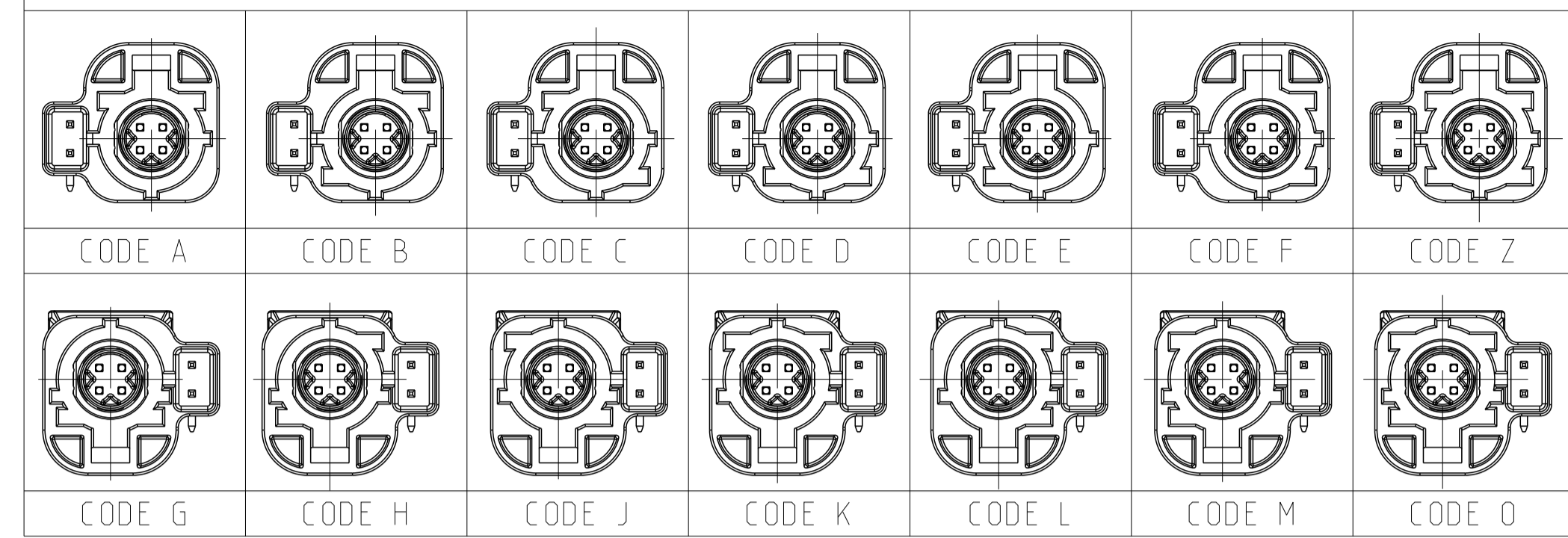
SIZE: A1
 CAGE CODE: 00779
 DRAWING NO: 2286550

RESTRICTED TO: -
 SCALE: 5:1
 SHEET: 1 OF 2
 REV: C

TE Connectivity

LOC	DIST	REV	DATE	BY	APPV
-	-	1	-	-	-
		DESCRIPTION	DATE	BY	APPV
		SEE SHEET 1	-	-	-

CODINGS 2:1

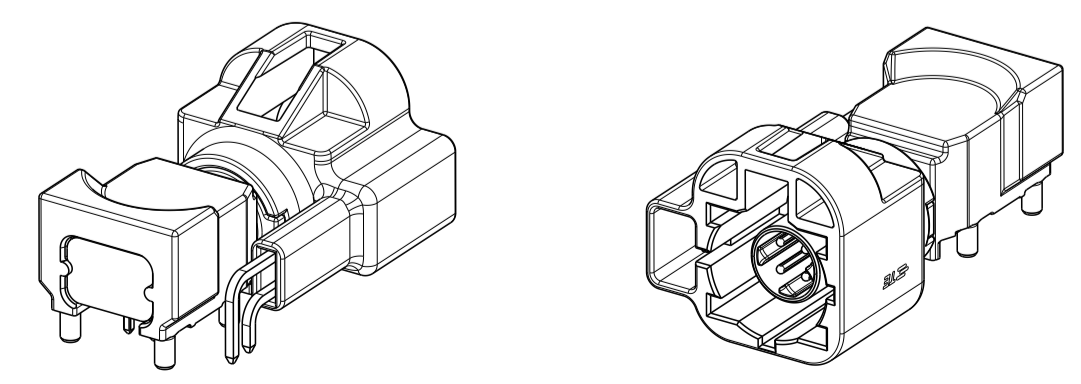


- NOTES
Bemerkung
- ONLY THE GERMAN LANGUAGE SHALL BE BINDING
Massgebend ist der deutsche Text
 - DETAILS OF DESIGN ARE LEFT TO TE CONNECTIVITY
Einzelheiten der Ausfuehrung bleiben TE CONNECTIVITY ueberlassen
 - HSD INTERFACE ACC. TO TE SPEC. 114-18950
HSD Schnittstelle nach TE-Spez. 114-18950
 - PACKAGING TAPE AND REEL
Verpackung Blistergurt
 - MARKING OF 100% TEST PASSED
Gutteilmarkierung nach bestandener 100% Pruefung
 - FOR FITTING HSD CONNECTOR PLEASE CONTACT TE CONNECTIVITY.
Fuer passenden gegenstecker bitte TE Connectivity kontaktieren
 - ALL DIMENSIONS IN BRACKETS () FOR INFORMATION ONLY
Alle Masse in Klammern () nur zur Information
 - CENTER OF GRAVITY
Schwerpunkt
 - PCB LAYOUT ACCORDING TO TE SPEC. 114-94319
Platinenlayout nach TE-Spez. 114-94319
- WEIGHT [g]: 7.26
Gewicht [g]: 7.26
- AS SHOWN / wie gezeigt Codierung Z

B-SAMPLES

QTY	CODE	DESCRIPTION	MATERIAL	FINISH COLOUR, SIMILAR RAL	ITEM NO																								
1		MQS PIN (LONG) MQS Pin (lang)	CuSn4	TIN PLATING Verzinnung	9																								
1		MQS PIN (SHORT) MQS Pin (kurz)			8																								
1		SHIELDING CAP Schirmkappe	CuZn37	TIN PLATING Verzinnung	7																								
1		SHIELDING TUBE Schirmrohr	CuSn4	INTERFACE SIDE: NICKEL PLATING MIN. 3-6µm Steckseite: Vernickelung min. 3-6µm	6																								
1		SHIELDING BODY Schirmgehaeuse	ZnAL4Cu1	SOLDER SIDE: TIN PLATING Lotseite: Verzinnung	5																								
2		CONTACT PIN (LONG) Kontaktpin (lang)	CuSn4	SOLDER SIDE: TIN PLATING MIN 3µm Lotseite: Verzinnung min. 3µm INTERFACE SIDE: GOLD PLATING Steckseite: Vergoldung	4																								
2		CONTACT PIN (SHORT) Kontaktpin (kurz)			3																								
1		CAVITY BLOCK Kontaktraeger	LCP or alternative	BLACK	2																								
1	0			LIGHT GREEN. 6027	1																								
	1			PASTEL ORANGE. 2003																									
				YELLOW GREEN. 6018																									
				CURRY. 1027																									
				BEIGE. 1001																									
				HEATHER VIOLET. 4003																									
				BLuish GREY. 7031																									
				WATER BLUE. 5021																									
				NUT BROWN. 8011																									
				LEAF GREEN. 6002																									
				CLARET VIOLET. 4004																									
				SIGNAL BLUE. 5005																									
				CREAM WHITE. 9001																									
				JET BLACK. 9005																									
<table border="1"> <thead> <tr> <th>QUANTITY</th> <th>CODE</th> <th>DESCRIPTION</th> <th>MATERIAL</th> <th>FINISH COLOUR, SIMILAR RAL</th> <th>ITEM NO</th> </tr> </thead> <tbody> <tr> <td colspan="6">ASSY NO X-2286550-Y</td> </tr> <tr> <td colspan="6">ASSY CODE</td> </tr> <tr> <td colspan="6">REVISION</td> </tr> </tbody> </table>					QUANTITY	CODE	DESCRIPTION	MATERIAL	FINISH COLOUR, SIMILAR RAL	ITEM NO	ASSY NO X-2286550-Y						ASSY CODE						REVISION						
QUANTITY	CODE	DESCRIPTION	MATERIAL	FINISH COLOUR, SIMILAR RAL	ITEM NO																								
ASSY NO X-2286550-Y																													
ASSY CODE																													
REVISION																													

SCALE 2:1



THIS DRAWING IS A CONTROLLED DOCUMENT.

OWN: A. Weiss 15 JUL 2014
 CHK: M. Reinhardt 15 JUL 2014
 APPV: M. Reinhardt 15 JUL 2014

DIMENSIONS: mm
 TOLERANCES UNLESS OTHERWISE SPECIFIED:
 0 PLC ± 0.5
 1 PLC ± 0.5
 2 PLC ± 0.5
 3 PLC ± 0.5
 4 PLC ± 0.5
 ANGLES ± 0.5

MATERIAL: -
 FINISH: -

WEIGHT: -
 Customer Drawing

TE Connectivity

HSD 90-2MQS HEADER
 HSD 90-2MQS Stecker

SIZE: A1
 CAGE CODE: 00779
 DRAWING NO: 2286550

RESTRICTED TO: -
 SCALE: 5:1 SHEET: 2 OF 2 REV: C